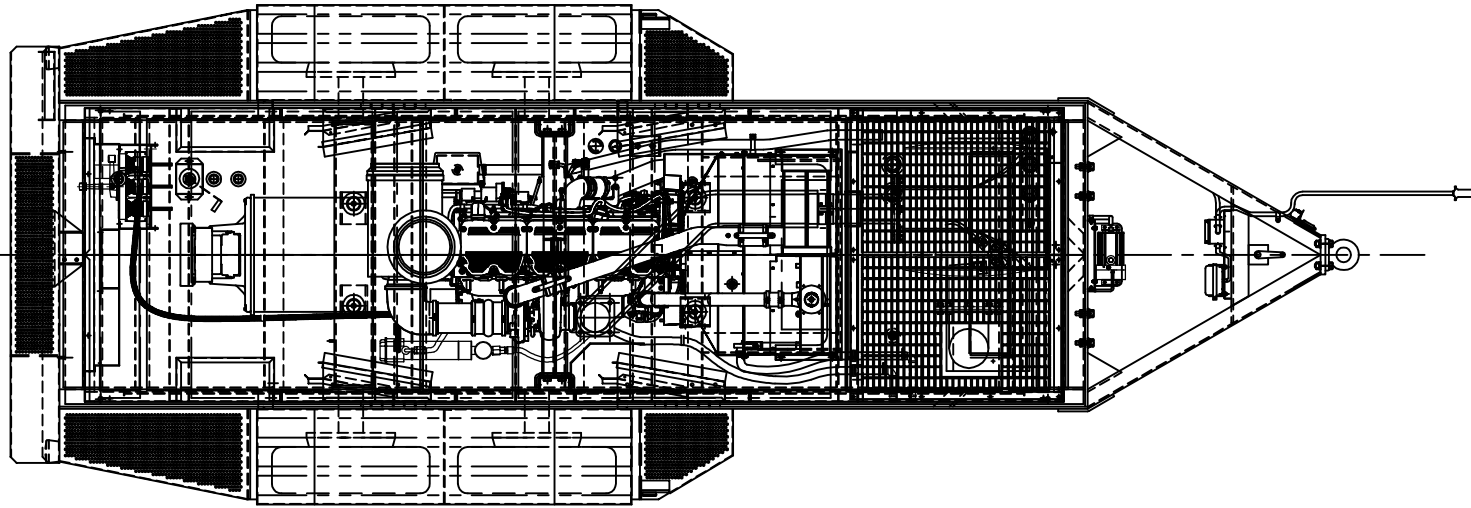
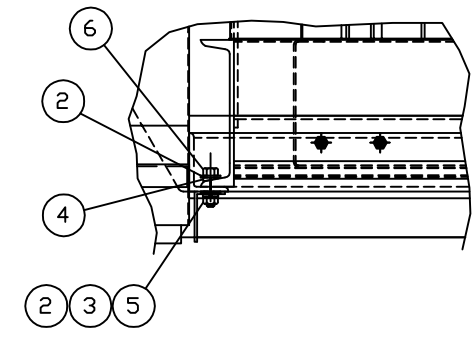


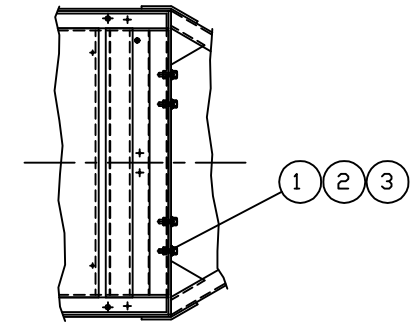
ITEM	QTY.	DESCRIPTION
1	4	1A-8063 - 3/4"-10NCx2.50 BOLT
2	12	8T-4994 - 3/4" FLAT WASHER
3	8	3B-4512 - 3/4" LOCK WASHER
4	4	33336 - 3/4" BEVELED WASHER
5	4	6V-8182 - 3/4"-10NC NUT
6	4	9X-8887 - 3/4"-10NCx3.00 BOLT



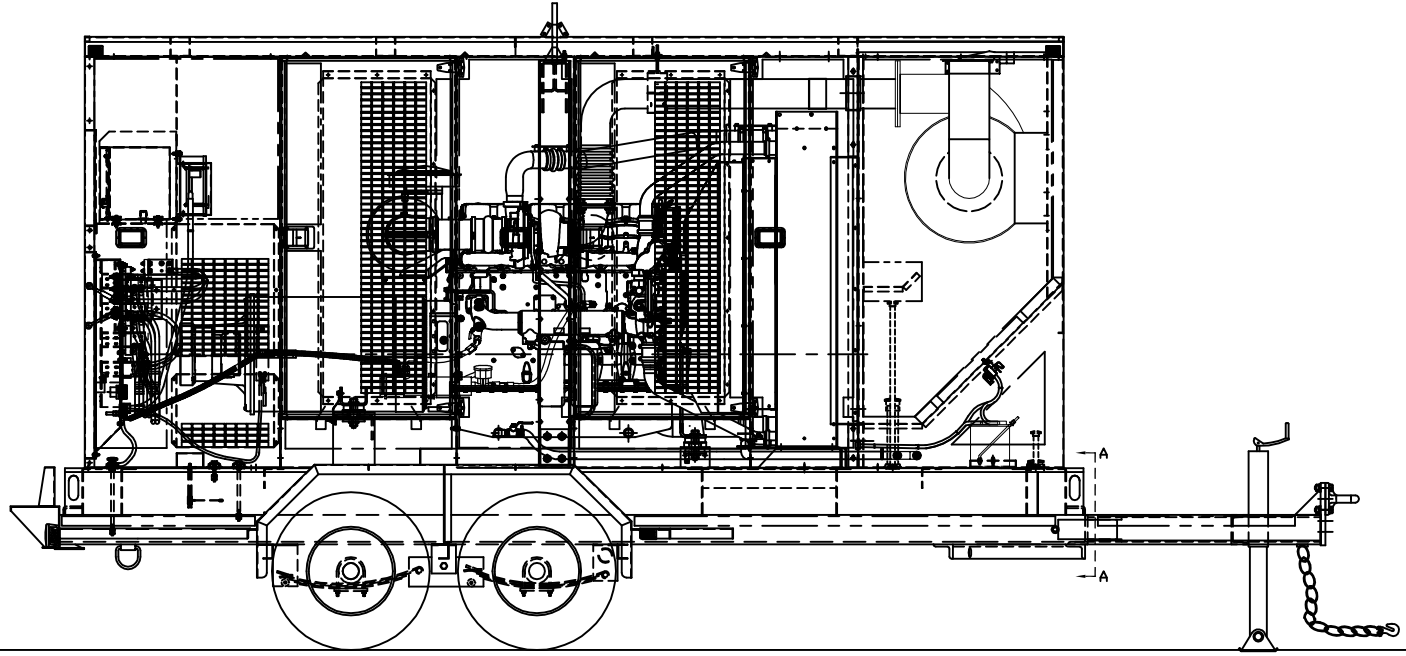
TOP VIEW



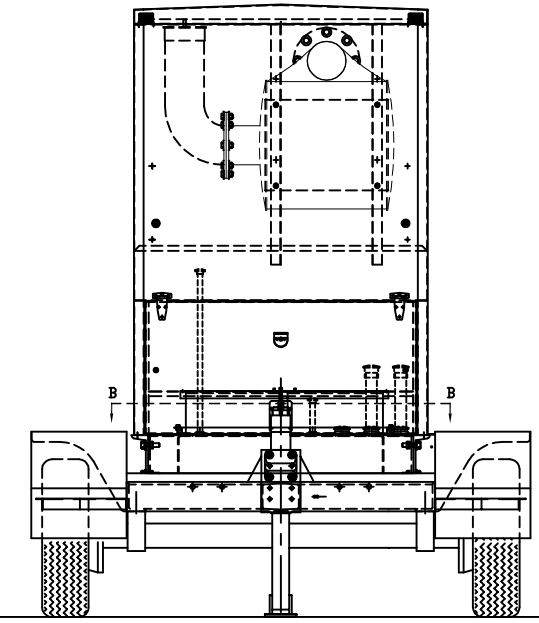
VIEW A-A
SCALE=2X



VIEW B-B



RIGHT SIDE VIEW



FRONT VIEW

NOTE: THREAD THE ENCLOSURE CLEARANCE LIGHT HARNESS ON THE TRAILER THRU THE FUEL BASE RACEWAY TUBE NEXT TO THE BATTERY GROUP, THEN CONNECT TO THE ENCLOSURE CLEARANCE LIGHT HARNESS COMING DOWN THRU THE EXHAUST DUCT ASSEMBLY.

06/05/13	DATE	ALTORFER		ALTORFER POWER SYSTEMS	
	BY	6315 W. FAUBER RD.		PHONE (309) 697-1234	
		BARTONVILLE, IL 61607		FAX (309) 282-7546	
THIS DOCUMENT CONTAINS PROPRIETARY INFORMATION OF ALTORFER, INC. WITHOUT THE WRITTEN PERMISSION OF ALTORFER, INC., ANY COPYING OR OTHER USE EXCEPT THAT FOR WHICH IT WAS INTENDED IS PROHIBITED					
EXPORT UPDATE CHANGE NOTICE	ALL DIMENSIONS IN INCHES UNLESS OTHERWISE SPECIFIED	FILE	PROJECT REFERENCE		
	TOLERANCES: XX ± 0.100 ANGLE X.XX ± 0.060 PROJECTION X.XXX ± 0.005	DF/54A	XQ400/C15	APS400/C15	RENTAL PACKAGE
	ANGULAR ± 1°	SCALE/SHEET SIZE	DRAWN BY	DATE	QUOTE NUMBER
		1=20/D	BML	05-20-08	WORK ORDER NUMBER
1	1 OF 1				DRAWING NUMBER
					54A226-1