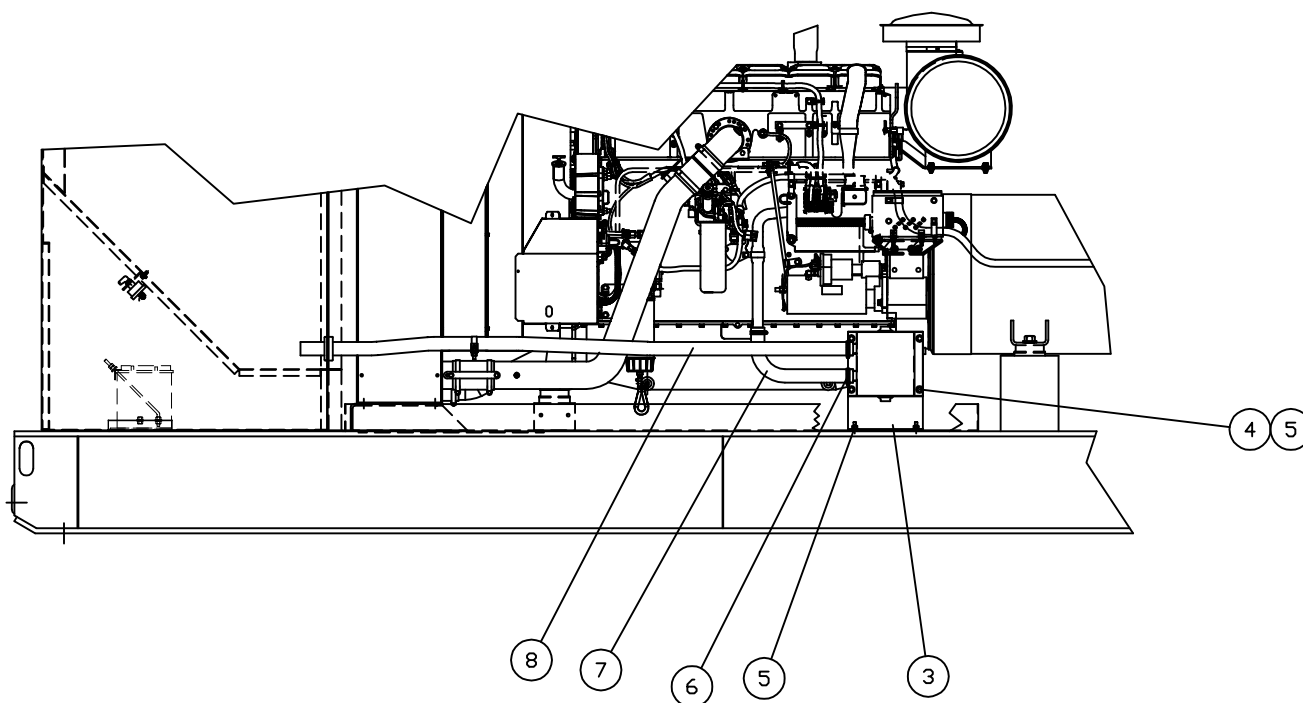
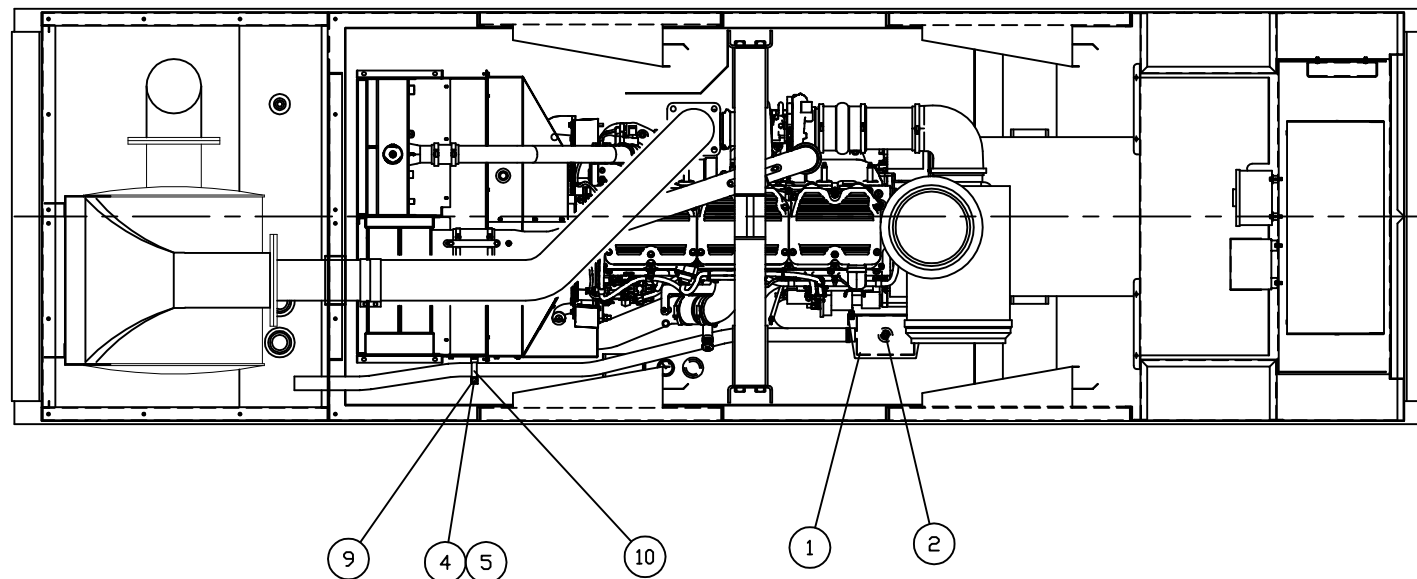


INCH 54A223-1

ITEM	QTY.	DESCRIPTION	WEIGHT
1	1	54C259 - FUMES BOX ASSEMBLY	9
2	2	PPP34 - 3/4" NPT PIPE PLUG	-
3	1	54C270 - FUMES BOX MOUNT	10
4	5	345-8531 - 3/8"-16x1.0 FLANGE BOLT	-
5	7	198-2970 - 3/8"-16 NC FLANGE NUT	-
6	3	0708827 - 3" HOSE CLAMP	-
7	1	5P-1259 - 1-1/2" FUMES HOSE - 22' Lg	2
8	1	5P-1259 - 1-1/2" FUMES HOSE - 84' Lg	7
9	1	9N1394 - SUPPORT BRACKET	-
10	1	8T-4983 - 2" HOSE CLAMP	-

TOTAL 28



		ALTORFER POWER SYSTEMS 6315 W. FAUBER RD. PHONE (309) 697-1234 BARTONVILLE, IL 61607 FAX (309) 282-7546	
EXPORT UPDATE CHANGE NOTICE	ALL DIMENSIONS IN INCHES UNLESS OTHERWISE SPECIFIED TOLERANCES: .X.X ± 0.100 .X.XX ± 0.060 .X.XXX ± 0.005 ANGULAR ± 1°	FILE DF54A	PROJECT REFERENCE XQ400A/C15 APS400/C15 RENTAL PACKAGE
		SCALE/SHEET SIZE 1=20/C	DRAWN BY K. NUNN
SHEET 1 OF 1	THIRD ANGLE PROJECTION	DATE 5/19/06	QUOTE NUMBER WORK ORDER NUMBER
TITLE XQ400A/APS400A ENGINE FUMES DISPOSAL GROUP			DRAWING NUMBER 54A223-1