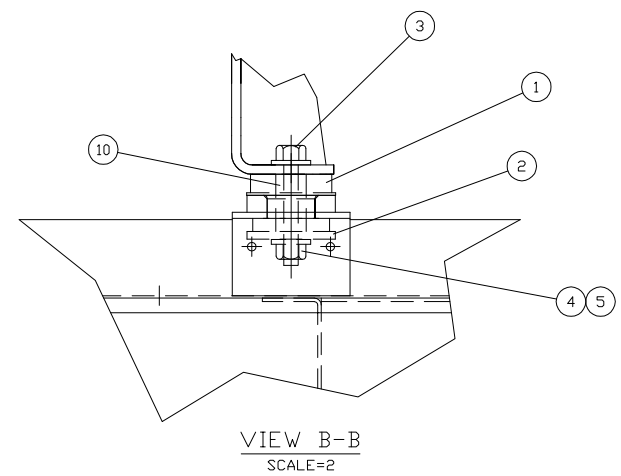
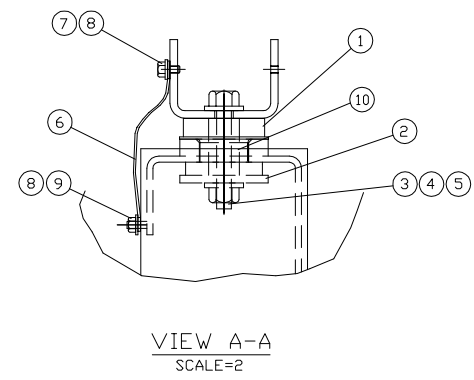
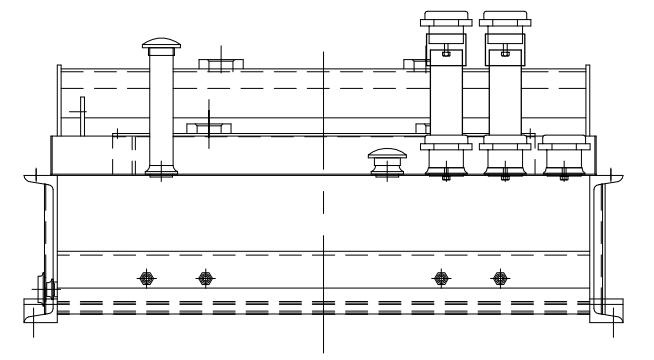
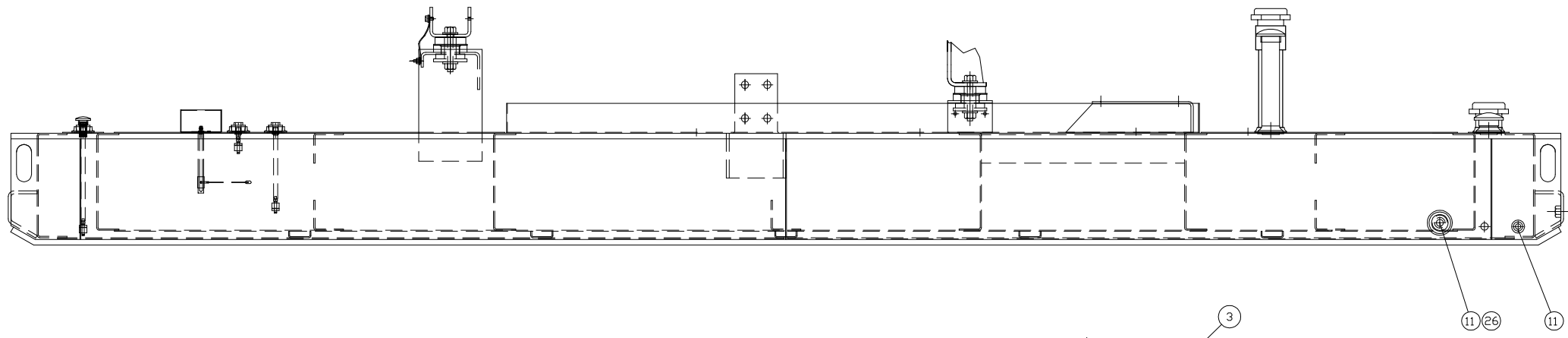


ITEM	QTY.	DESCRIPTION	WEIGHT
1	4	9W-9930 - MOUNT ASSEMBLY	2
2	4	9W-6584 - WASHER	-
3	4	7X-0375 - BOLT 3/4"-10x5"	1
4	8	8T-4994 - FLAT WASHER 3/4"	-
5	4	6V-B182 - NUT 3/4"-10	-
6	1	034-3665 - STRAP	1
7	1	9B-7237 - BOLT 3/8"-16	-
8	2	8T-4896 - FLAT WASHER 3/8"	-
9	1	6V-B801 - NUT 3/8"-16	-
10	4	9W-6582 - SLEEVE	1
11	2	PPP34 - 3/4" NPT PLUG	-
12	1	54B200 - XQ400A BASE ASSEMBLY	3,568
13	2	198-2970 - 3/8-16NC WHIZLOCK NUT	-
14	1	52E103 - HIGH FUEL LEVEL SWITCH	1
15	1	51E102 - RUPTURE RASIN SWITCH	2
16	1	51E101 - LOW FUEL LEVEL SWITCH	1
17	1	54E115 - FUEL LEVEL SENDER	2
18	1	PPC2 - 2" NPT CAP	1
19	1	F8680L12 - 12" SIGHT LEVEL GAUGE	-
20	5	3670330HF - 3" NPT FUEL EMERGENCY TANK VENT	3
21	2	36635K45 - 2" NPT FUEL TANK VENT	1
22	2	PNPL312 - 3" NPT x 12" NIPPLE	15
23	2	PP3C - 3" NPT COUPLING	4
24	1	PNPL212 - 2" NPT x 12" NIPPLE	1
25	1	52C174 - FLG. SWITCH BOX	3
26	1	PPP2 - 2" NPT PLUG	1
27	1	81938 - 2" NPT x CLOSE NIPPLE	-
TOTAL			3,608



NOTE A: COMP #25-52C174 FLG. SW. BOX RECEIVED WITH ENCLOSURE PARTS GP. 54C200BM

10/15/13 BML	06/24/13 BML	03/03/10 BML	DATE	BY	ALTORFER	ALTORFER POWER SYSTEMS 6315 W. FAUBER RD. PHONE (309) 697-1234 BARTONVILLE, IL 61607 FAX (309) 282-7546				
3	2	1	NO.			THIS DOCUMENT CONTAINS PROPRIETARY INFORMATION OF ALTORFER, INC. WITHOUT THE WRITTEN PERMISSION OF ALTORFER, INC., ANY COPYING OR OTHER USE EXCEPT THAT FOR WHICH IT WAS INTENDED IS PROHIBITED				
UPDATED ITEMS 22, 23, 24	ADDED ITEM 27	EXPORT UPDATE	CHANGED EMERG. TANK VENT & FUEL TANK VENT	CHANGE NOTICE	FILE	PROJECT REFERENCE				
					ALL DIMENSIONS IN INCHES UNLESS OTHERWISE SPECIFIED	DF53A	XQ400A RENTAL PACKAGE			
					TOLERANCES: X.X ± 0.100 X.XX ± 0.060 X.XXX ± 0.005	THIRD ANGLE PROJECTION	SCALE/SHEET SIZE 1=10/D	DRAWN BY K. NUNN	QUOTE NUMBER	
					ANGULAR ± 1°	SHEET 1 OF 1	DATE 5/9/06	WORK ORDER NUMBER		
					TITLE	XQ400A FUEL BASE GROUP				DRAWING NUMBER 54A217-3