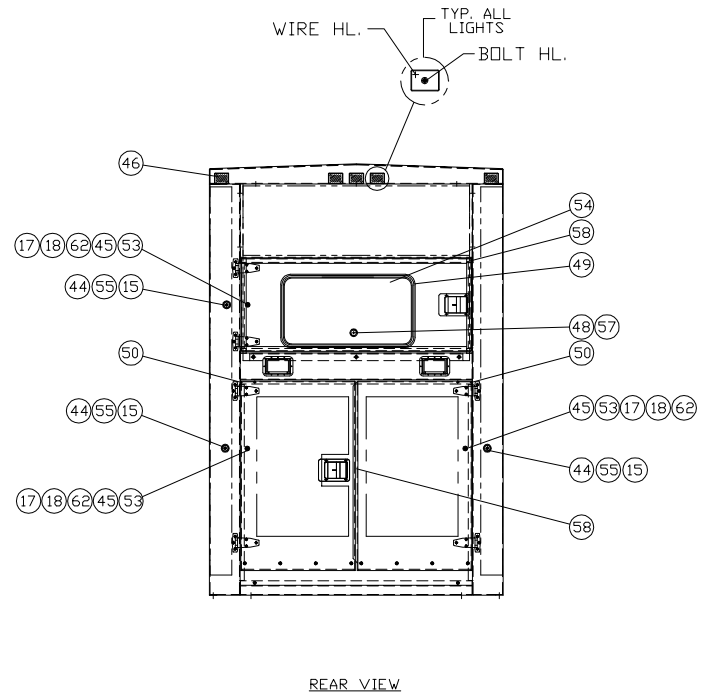
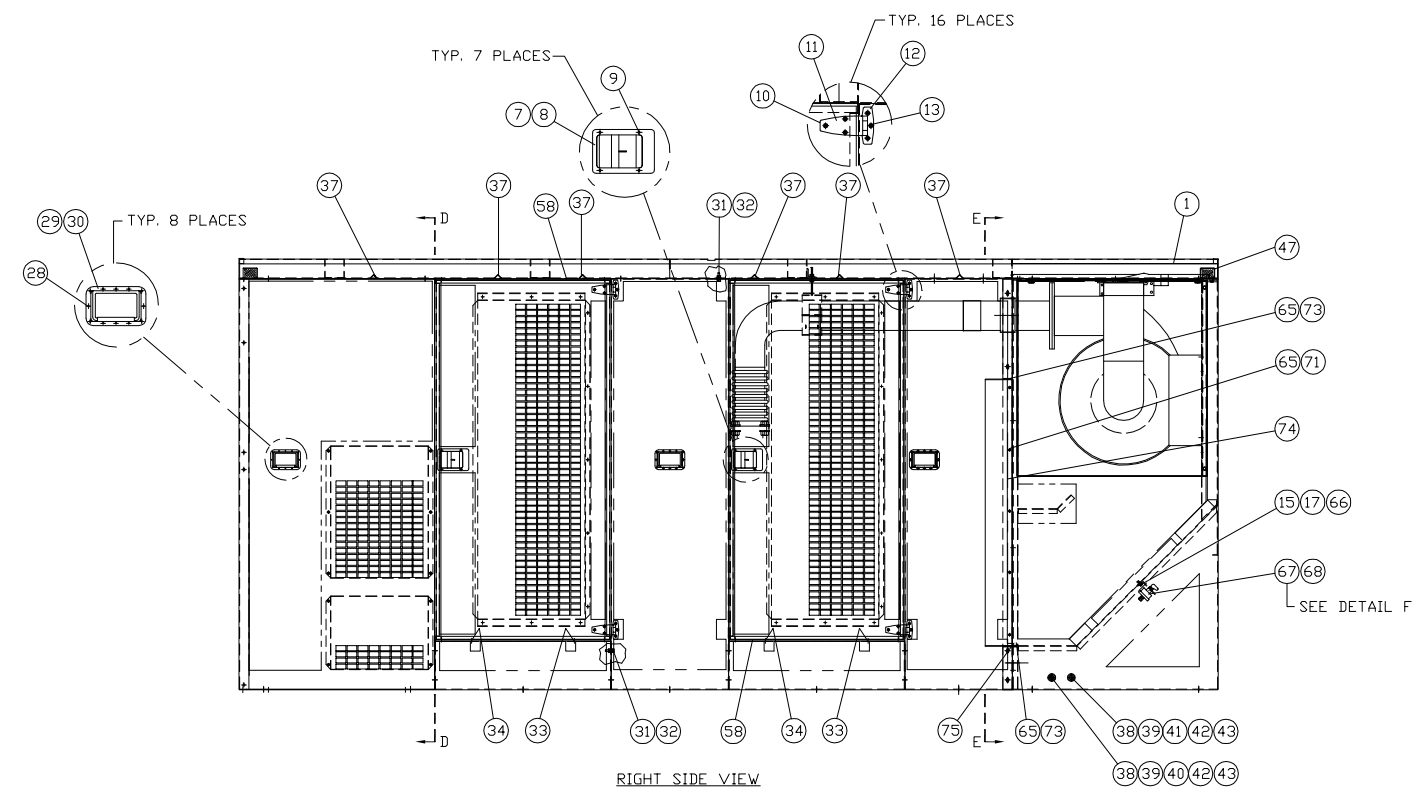


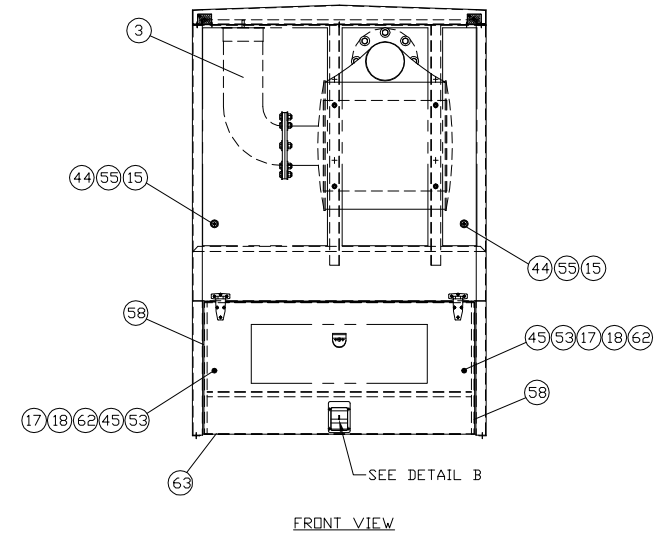
TOP VIEW



REAR VIEW



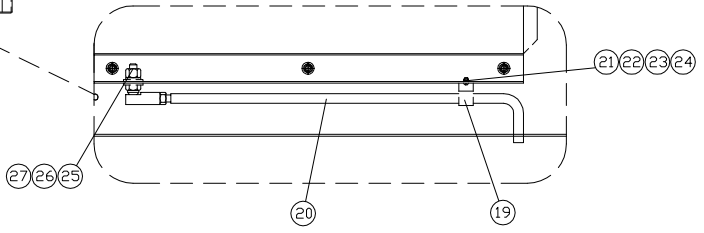
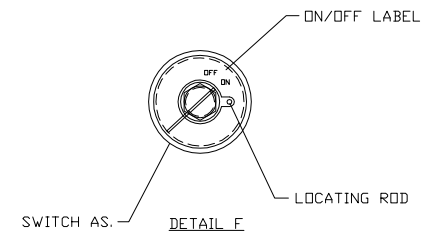
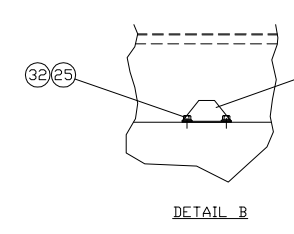
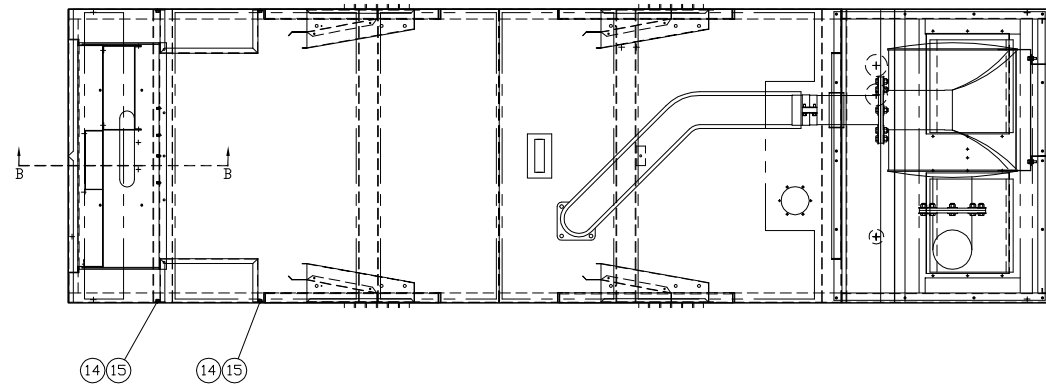
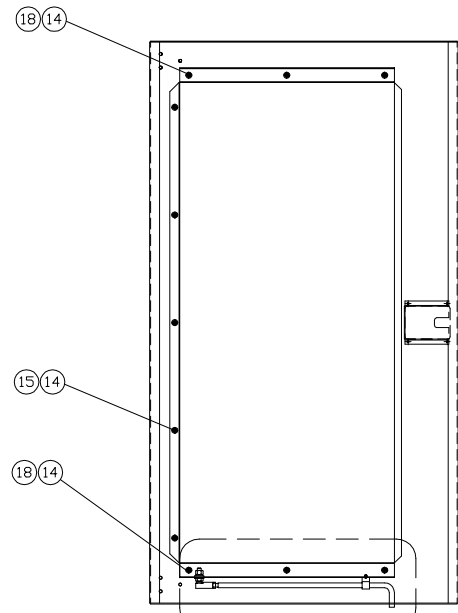
RIGHT SIDE VIEW



FRONT VIEW

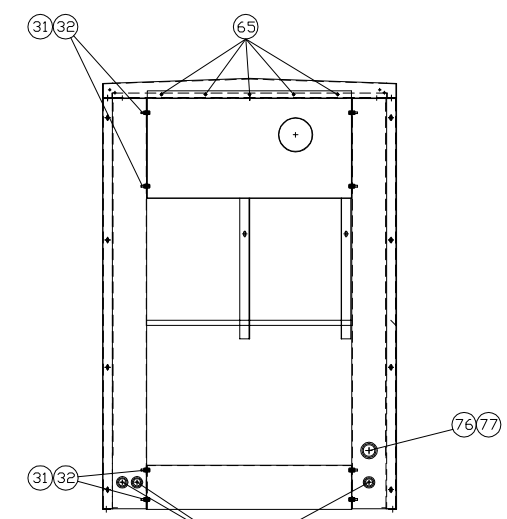
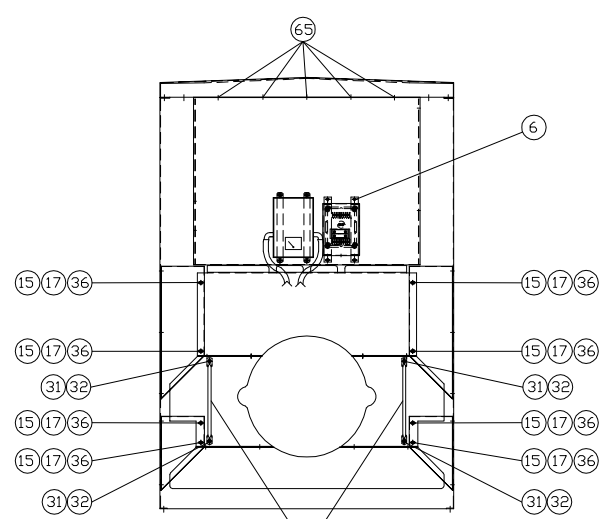
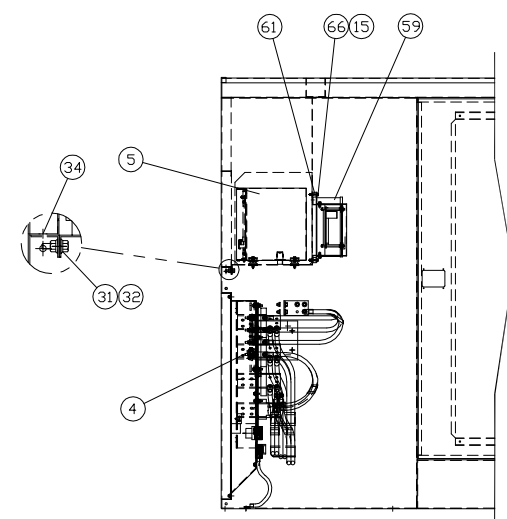
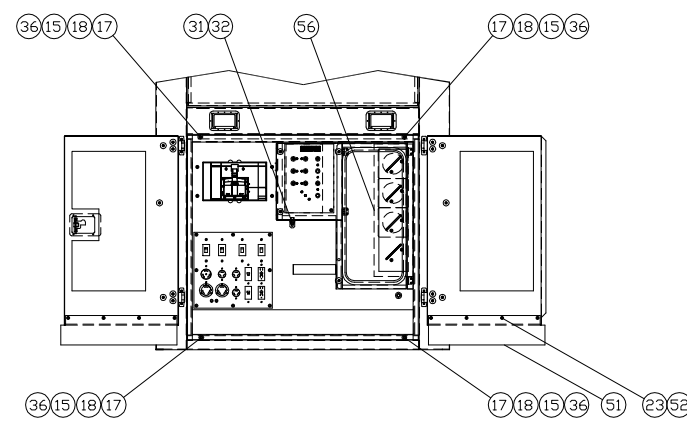
COMP	QTY	DESCRIPTION	WEIGHT
1	1	54C200 - XQ400 ENCLOSURE PARTS GROUP	3,049
2	1	54D200 - XQ400 SOUND FOAM KIT INSTALATION	-
3	1	54A220 - XQ400 EXHAUST GROUP	400
4	1	54A308 - XQ400 DUAL VOLTAGE LOAD PAN ASSEMBLY	313
5	1	54A311 - CTRLD PANEL MOUNTING GROUP	182
6	1	53A228 - VR3 VDLTAGE REGULATOR MOUNTING GROUP	12
7	7	HDCK/LATCH - BLACK PADLOCKABLE ENCLOSURE SLAM LATCH	-
8	7	54D150 - LATCH GASKET	-
9	28	6C-3679 - 3/16" S.S. POP RIVET	-
10	16	317-5797 - DOOR HINGE GASKET	-
11	16	317-5796 - BLACK DOOR HINGE	-
12	16	317-5798 - HINGE GASKET - WALL	-
13	96	317-5697 - 1/4-20NCX1.00 S.S. TAPER PHILLIPS HEAD SCREW	-
14	56	3E9865 - 1/4-20NC S.S. NYLON LOCK NUT	-
15	59	8T-4205 - 1/4" S.S. FLAT WASHER	-
16	50	317-5699 - 1/4-20NC S.S. NUT	-
17	87	317-5698 - 1/4" S.S. LOCK WASHER	-
18	97	317-5700 - 1/4" S.S. NEOPREME BACKED FLAT WASHER	-
19	4	5W1943 - DOOR KEEP ROD STORAGE CLIP	-
20	4	XQ ROD - DOOR KEEP ROD GROUP	-
21	4	37405 - #6-32 KEPS LOCKNUT	-
22	12	33070 - #6 FLAT WASHER	-
23	4	0183807 - LICENSE PLATE PLASTIC SCREW	-
24	4	7K-3435 - #6-32x.50 S.S. SCREW	-
25	8	94709A516 - 3/8" S.S. NEOPREME BACKED FLAT WASHER	-
26	4	71067 - 3/8" S.S. LOCK WASHER	-
27	4	70732 - 3/8-24NF S.S. NUT	-
28	96	0126271 - 1/8" S.S. POP RIVET	-
29	8	T502HNDL - BLACK GRAB HANDLE	-
30	8	54D149 - GRAB HANDLE GASKET	-
31	67	345-8531 - 3/8-16NCX1 WHIZLOCK BOLT	-
32	40	198-2970 - 3/8-16NC WHIZLOCK NUT	-
33	4	3P9554 - RUBBER DOOR ROD KEEP GROMMET	-
34	7	FT207 - 3/4" WHITE NYLON HOLE PLUG	-
35	240 in	STICKERTITE - 3/4"x1/8"THK BLK ADHESIVE NEOP. FOAM GSKT	-
36	31	149-2148 - 1/4-20NCX1.00 S.S. BOLT	-
37	6	54C180 - ROOF FOAM SUPPORT	-
38	2	69908 - 3/4" BRASS HEX PLUG	-
39	2	10412-18229 - 3/4" BRASS PIPE ADAPTER	-
40	1	66444 - 3/4"x3" NIPPLE	-
41	1	PNPL346 - 3/4"x6" NIPPLE	-
42	2	4B-5984 - 3/4" 90° EL.BOW	-
43	2	005-6814 - BARBED FITTING 3/4" PIPE TO 1" HOSE	-
44	5	9R8537 - DOOR KEEP SOCKET	-
45	5	9R8538 - DOOR KEEP PLUNGER	-
46	7	T114R - RED MARKER LIGHT	-
47	4	T114A - AMBER MARKER LIGHT	-
48	1	4W9908 - EXTERIOR EMERGENCY STOP BUTTON ASSEMBLY	-
49	72 in	AS990 - WINDOW GROMMET	-
50	48 in	1220A213 - BLACK DOOR GASKETING	-
51	2	54C248 - FLAP - LOAD DOOR	1
52	8	0184617 - LICENSE PLATE PLASTIC NUT	-
53	5	8T-4971 - M6-30x2.00 S.S. METRIC BOLT	-
54	1	53C275 - CTRLD WINDOW	4
55	5	033-8755 - 1/4-20NCX1.00 S.S. PHILLIPS TRUSS HEAD SCREW	-
56	1	54A216 - LOAD DOOR MOUNTING GROUP	27
57	1	STDP-ROD - EMERGENCY STOP ROD	-
58	85 ft	D-2685 - WHITE 3/8"W SELF ADHESIVE DOOR GASKETING	-
59	1	MBC19 - BATTERY CHARGER	-
60	-	-----	-
61	4	104-6564 - SHOCK MOUNTS	-
62	5	5C-2890 - M6-30 NUT	-
63	60 in	8451A63 - TRIM LOCK	-
64	1	52C176 - CATCH BATTERY DOOR	1
65	30	109-0147 - 1/4-20NC SELF TAPPING SCREWS	-
66	6	70003 - 1/4-20NCx.75 S.S. BOLT	-
67	1	114-8821 - BATTERY SWITCH ON/OFF LABEL	-
68	1	7N0718 - BATTERY SWITCH ASSEMBLY	-
69	3	ECHA1112 - 1.50" OZ BUSHING - MALE END	-
70	3	ECHA24112 - 1.50" OZ BUSHING - FEMALE END	-
71	2	54C266 - RUBBER DUCTING - SIDE	-
72	1	54E200 - ENCLOSURE WIRE HARNESS ASSEMBLY	-
73	2	54C267 - RUBBER DUCTING - TOP/BOTTOM	-
74	2	54C162 - STRAP - SIDE	2
75	2	54C161 - STRAP - TOP/BOTTOM	2
76	1	ECHA1212 - 2.50" OZ BUSHING - MALE END	-
77	1	ECHA24212 - 2.50" OZ BUSHING - FEMALE END	-
78	1	2296868 - RADIATOR COVER	-
79	1	2867317 - ANTENNA 150G GPS	-
80	2	54C265 - GRAB HANDLE	-
81	1	54D250 - FOAM RETENTION GROUP	44
TOTAL WEIGHT			4037 lbs.

06/24/13	DATE	ALTORFER		ALTORFER POWER SYSTEMS			
	BY	6315 W. FAUBER RD.		PHONE (309) 697-1234			
		BARTONVILLE, IL 61607		FAX (309) 282-7546			
EXP/UPD/CHG	NOTICE	THIS DOCUMENT CONTAINS PROPRIETARY INFORMATION OF ALTORFER, INC. WITHOUT THE WRITTEN PERMISSION OF ALTORFER, INC., ANY COPYING OR OTHER USE EXCEPT THAT FOR WHICH IT WAS INTENDED IS PROHIBITED					
		ALL DIMENSIONS IN INCHES UNLESS OTHERWISE SPECIFIED	FILE	PROJECT REFERENCE			
		TOLERANCES: XX ± 0.100 ANGLE X.XX ± 0.060 X.XXX ± 0.005	THIRD ANGLE PROJECTION	DF/54A	XQ400/APS400 RENTAL PACKAGE	SCALE/SHEET SIZE	DRAWN BY
		ANGULAR ± 1°		1=20/D	BML	DATE	QUOTE NUMBER
1	ND	XQ400/APS400 DUAL VOLTAGE STD ENCLOSURE GROUP				WORK ORDER NUMBER	
						DRAWING NUMBER	
						54A213A-1	



TOP VIEW
SHOWN WITH ROOF AS REMOVED

VIEW C-C
TYP. 4 PLACES
SCALE 2:1



REAR VIEW
WITH DOORS OPEN

VIEW A-A

VIEW D-D

VIEW E-E

07/25/13 BAL	06/26/13 BML	DATE			ALTORFER POWER SYSTEMS 6315 W. FAUBER RD. PHONE (309) 697-1234 BARTONVILLE, IL 61607 FAX (309) 282-7546	
ADD FDAM RETENTION	EXPORT UPDATE	CHANGE NOTICE	THIS DOCUMENT CONTAINS PROPRIETARY INFORMATION OF ALTORFER, INC. WITHOUT THE WRITTEN PERMISSION OF ALTORFER, INC., ANY COPYING OR OTHER USE EXCEPT THAT FOR WHICH IT WAS INTENDED IS PROHIBITED. ALL DIMENSIONS IN INCHES UNLESS OTHERWISE SPECIFIED TOLERANCES: X.X ± 0.100 ANGLE X.XX ± 0.060 PROJECTION X.XXX ± 0.005 ANGULAR ± 1°	FILE DF/54A SCALE/SHEET SIZE 1=20/D SHEET 2 OF 2	PROJECT REFERENCE XQ400/APS400 RENTAL PACKAGE DRAWN BY BML DATE 04/30/2008	QUOTE NUMBER WORK ORDER NUMBER DRAWING NUMBER
2	1	ND	XQ400/APS400 DUAL VOLTAGE STD ENCLOSURE GROUP			54A213B-2