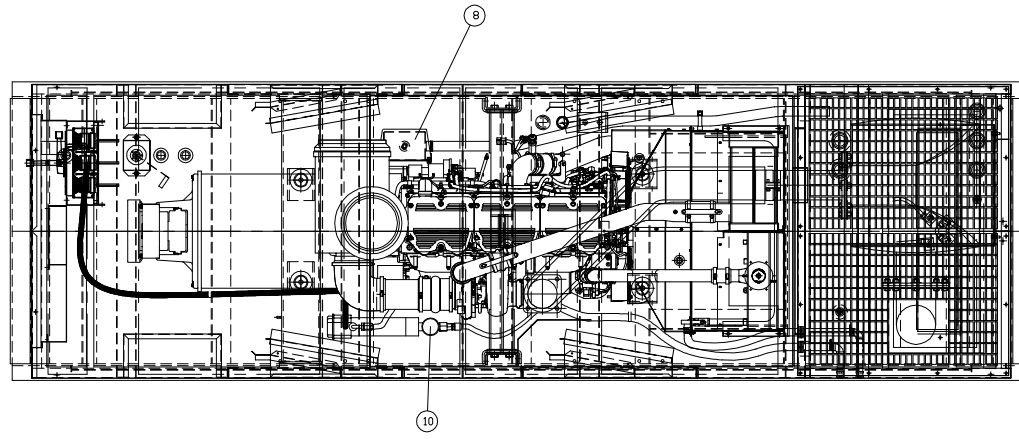
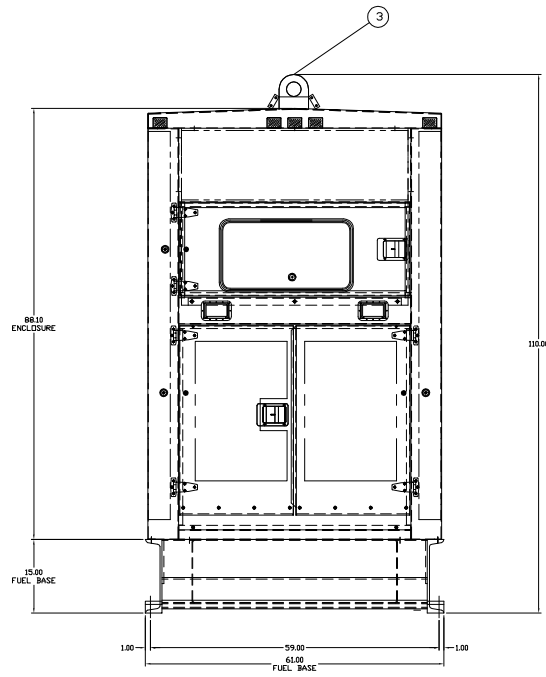


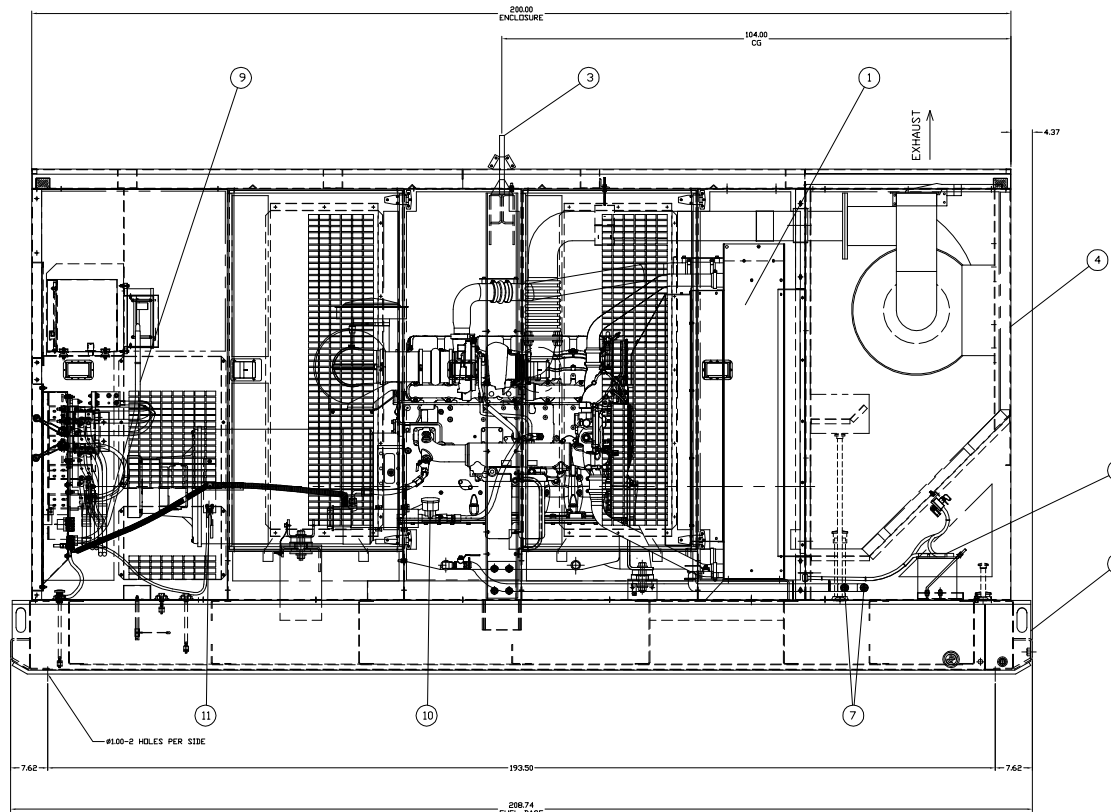
REAR VIEW
SHOWN WITH REAR DOORS OPEN



TOP VIEW



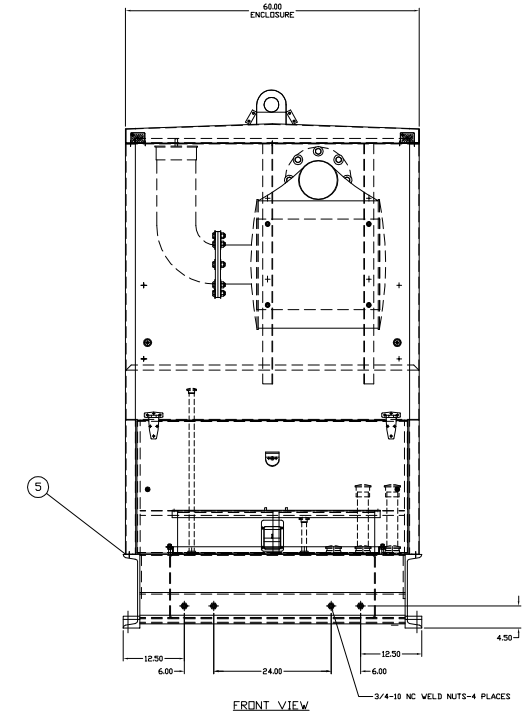
REAR VIEW



RIGHT SIDE VIEW

ITEM	QTY.	PART NO.	DESCRIPTION	WEIGHT
1	1	101-2845	BULK COOLANT	
2	1	54A217	BASE MOUNTING GROUP	
3	1	54A218	LIFT ARCH. MOUNTING GROUP	
4	1	54A213	XQ400 DUAL VOLTAGE STANDARD ENCLOSURE GROUP	
5	1	54A219	ENCLOSURE MOUNTING GROUP	
6	1	54A222	STARTING BATTERY GROUP	
7	1	54A221	OIL AND COOLANT DRAINS GROUP	
8	1	54A223	ENGINE FUMES DISPOSAL GROUP	
9	1	53A226	BATTERY CHARGER WIRING GROUP	
10	1	54A224	JACKETWATER HEATER WIRING GROUP	
11	1	53A227	SPACE HEATER WIRING GROUP	
12	1	54A216	LOAD DOOR MOUNTING GROUP	

PACKAGE WEIGHTS :
 GENERATOR SET PACKAGE WITHOUT FUEL= 14,430 lbs.
 GENERATOR SET PACKAGE WITH FUEL= 18,200 lbs.



FRONT VIEW

		ALTORFER POWER SYSTEMS 6315 W. FAUBER RD. PHONE (309) 697-1234 BARTONVILLE, IL 61607 FAX (309) 282-7546			
		THIS DOCUMENT CONTAINS PROPRIETARY INFORMATION OF ALTORFER, INC. WITHOUT THE WRITTEN PERMISSION OF ALTORFER, INC., ANY COPYING OR OTHER USE EXCEPT THAT FOR WHICH IT WAS INTENDED IS PROHIBITED.			
CHANGE NOTICE NO. 1	ALL DIMENSIONS IN INCHES UNLESS OTHERWISE SPECIFIED	FILE DF/54A	PROJECT REFERENCE XQ400/APS400 RENTAL PACKAGE		
	TOLERANCES: XX ± 0.100 X.XX ± 0.060 X.XXX ± 0.005	THIRD ANGLE PROJECTION	SCALE/SHEET SIZE 1=20/D	DRAWN BY BML	QUOTE NUMBER -
	ANGULAR ± 1°		SHEET 1 OF 1	DATE 05/09/08	WORK ORDER NUMBER -
	TITLE XQ400/APS400 DUAL VOLTAGE STANDARD ARRANGEMENT				DRAWING NUMBER 54A202