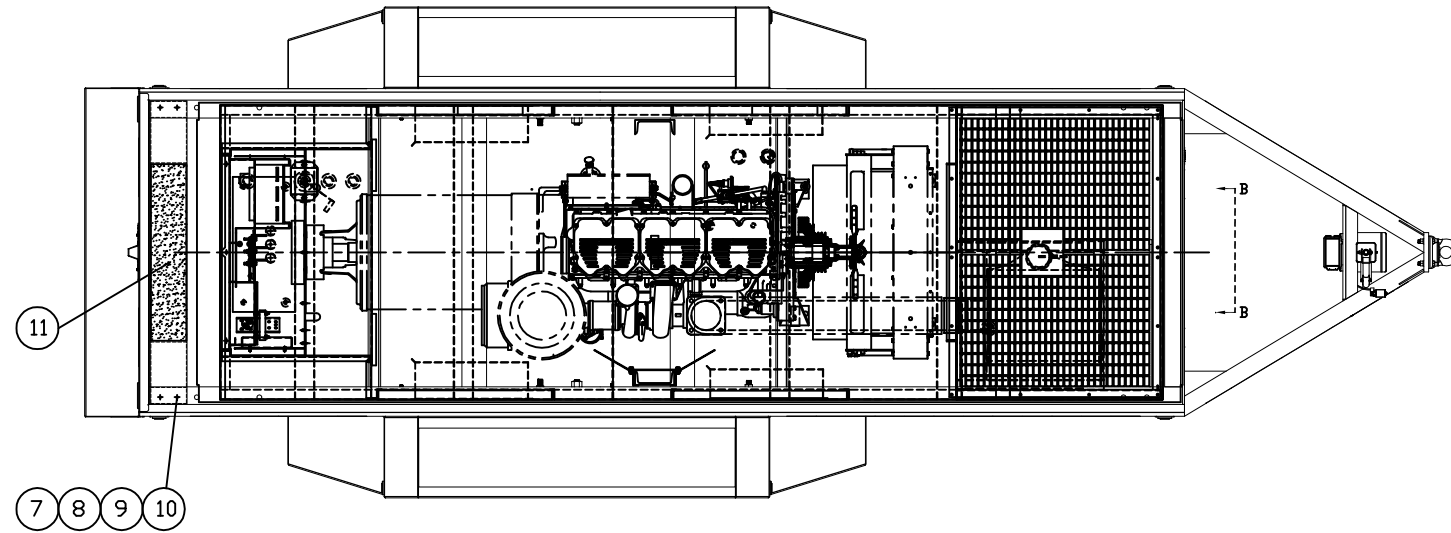
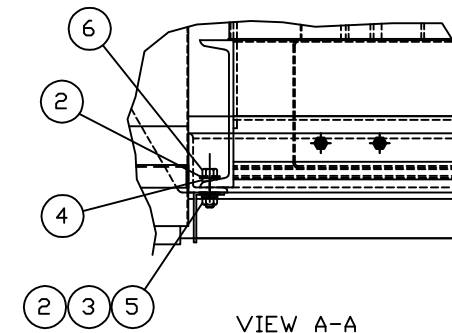


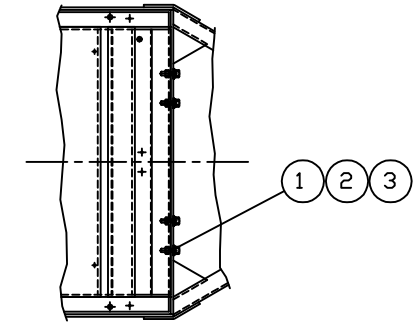
ITEM	QTY.	PART NUMBER	DESCRIPTION
1	4	1A-8063	BOLT (3/4"-10 X 2.50")
2	12	8T-4994	WASHER-HARD (3/4")
3	8	3B-4512	WASHER-LOCK (3/4")
4	4	33336	WASHER-BEVELED (3/4")
5	4	6V-8182	NUT (3/4"-10)
6	4	9X8887	BOLT (3/4"-10 X 3.00")
7	1	54F122	ANTI-SLIP PLATFORM
8	4	8T-2501	BOLT (3/8"-16 X 2.00")
9	8	8T-4896	FLAT WASHER (3/8")
10	4	3K-6060	NYLOCK LOCKNUT (3/8"-16)
11	6 FT.	SHUR-STEP	4" ANTI-SKID TAPE (2 @ 36")



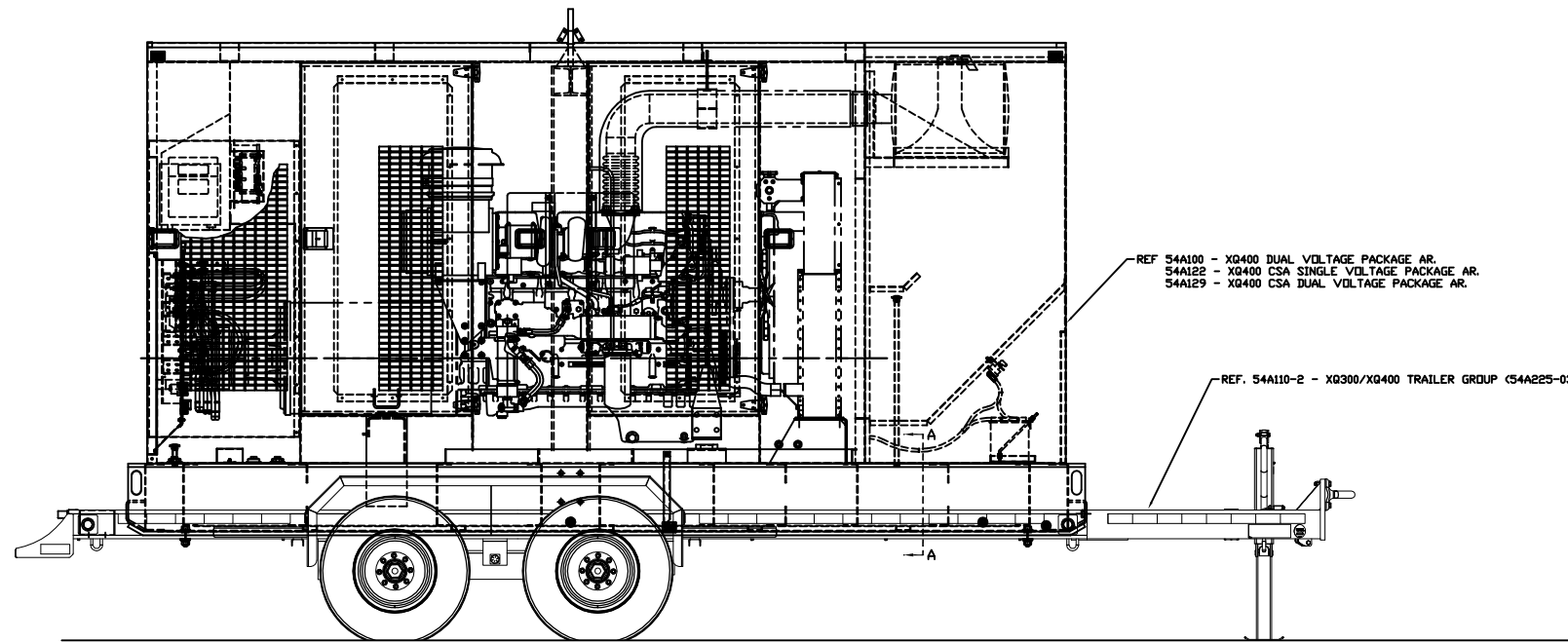
TOP VIEW



VIEW A-A
SCALE=2X



VIEW B-B



RIGHT SIDE VIEW

<p>11/28/15 JAN</p>		<p>10/28/15 JAN</p>		<p>10/28/15 JAN</p>		<p>10/28/15 JAN</p>		<p>10/28/15 JAN</p>	
<p>ADD SKID TAPE</p>		<p>UPDATE TRAILER & HW</p>		<p>UPDATE HARDWARE</p>		<p>CHANGE NOTICE</p>		<p>DATE BY</p>	
<p>3</p>		<p>1</p>		<p>1</p>		<p>1</p>		<p>1</p>	
<p>ALTORFER</p>		<p>ALTORFER POWER SYSTEMS</p>		<p>6315 W. FAUBER RD. PHONE (309) 697-1234 BARTONVILLE, IL 61607 FAX (309) 282-7546</p>		<p>THIS DOCUMENT CONTAINS PROPRIETARY INFORMATION OF ALTORFER, INC. WITHOUT THE WRITTEN PERMISSION OF ALTORFER, INC. ANY COPYING OR OTHER USE EXCEPT THAT FOR WHICH IT WAS INTENDED IS PROHIBITED.</p>		<p>PROJECT REFERENCE</p>	
<p>ALL DIMENSIONS IN INCHES UNLESS OTHERWISE SPECIFIED</p>		<p>FILE DF/54A</p>		<p>SCALE/SHEET SIZE 1=20/D</p>		<p>PROJECT REFERENCE XQ400 (3456) RENTAL UNIT</p>		<p>DRAWN BY M. RANTA</p>	
<p>TOLERANCES: X.X ± 0.100 THIRD ANGLE PROJECTION SHEET 1 OF 1</p>		<p>DATE 01/03/2001</p>		<p>QUOTE NUMBER -</p>		<p>WORK ORDER NUMBER -</p>		<p>DRAWING NUMBER 54A117-03</p>	
<p>TITLE XQ400 (3456) TRAILER MOUNTING GROUP</p>		<p>DATE 01/03/2001</p>		<p>QUOTE NUMBER -</p>		<p>WORK ORDER NUMBER -</p>		<p>DRAWING NUMBER 54A117-03</p>	