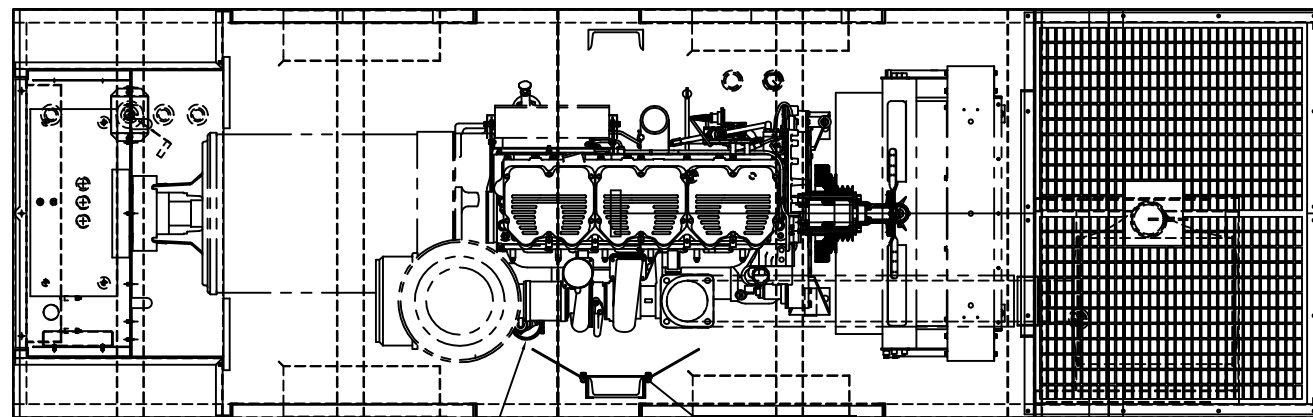


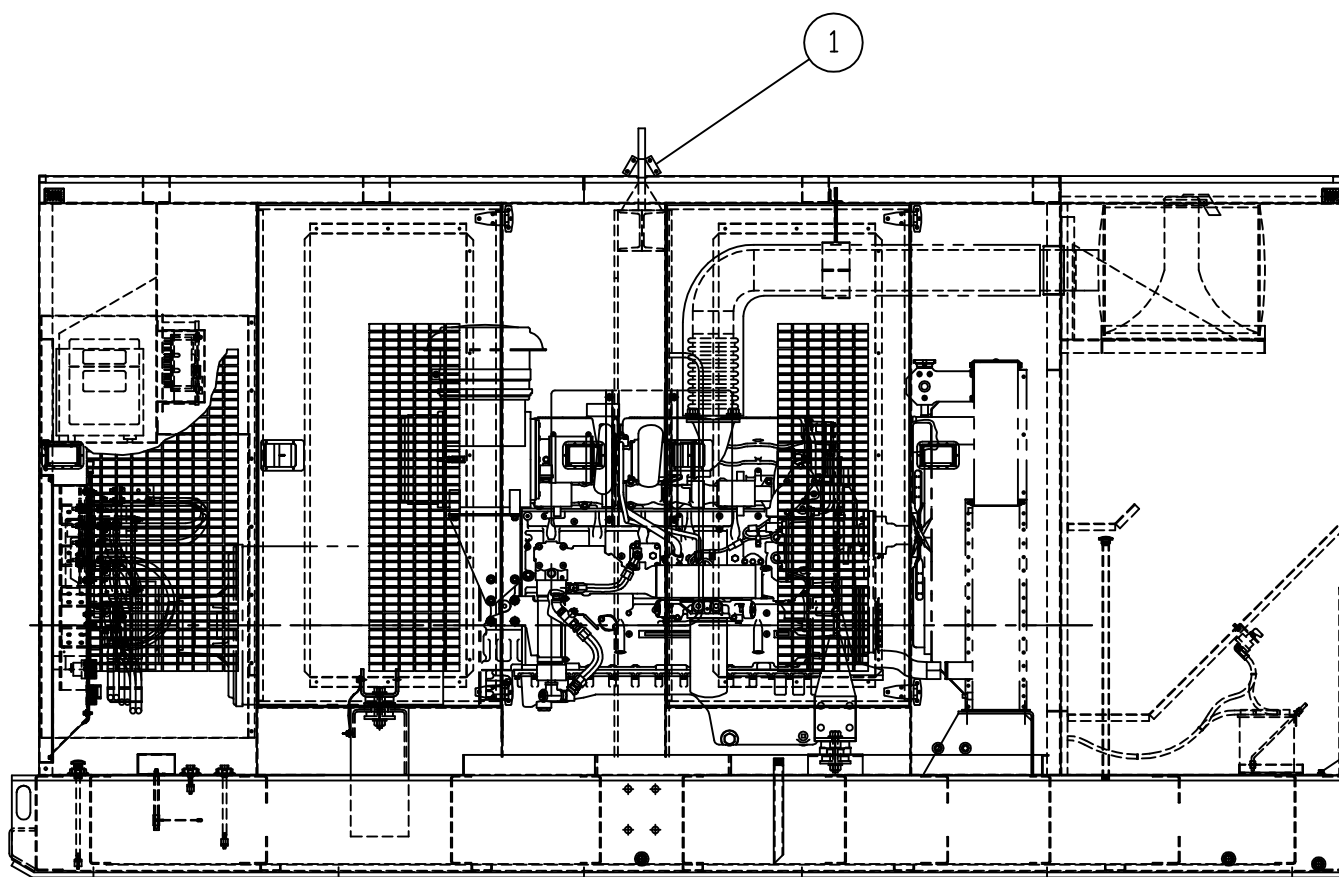
ITEM	QTY.	PART NUMBER	DESCRIPTION	WEIGHT
1	1	51C113	RAIN SKIRT	1
2	50'	8694K74	GASKET-NEOPRENE (2")	1
3	22	198-2970	NUT-FLANGE (3/8"-16)	1
4	36	5P-1075	WASHER-HARD 3/8" DS)	-
5	1	54C182	SOUND SHIELD	21
6	2	54C183	SHIELD BRACKET	3
7	4	345-8531	BOLT-FLANGE (3/8"-16 X 1")	-
TOTAL				27LBS.



REF. 203-5532
ENG/GEN AR.

TOP VIEW

5 6 7

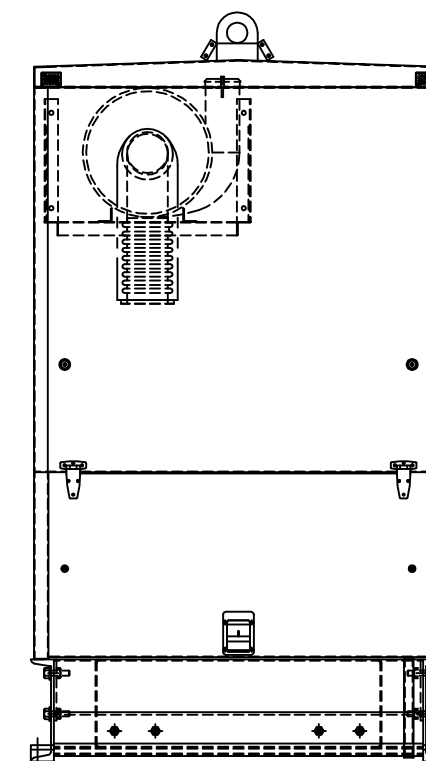


RIGHT SIDE VIEW

REF 54A106 DUAL VOLTAGE ENCL. GP.
54A125 CSA SINGLE VOLTAGE ENCL. GP.
54A130 CSA DUAL VOLTAGE ENCL. GP.

3 4

REF. 54A102
BASE MTG GP.



FRONT VIEW

2

NOTE: TORQUE LIFT ARCH MOUNTING
BOLTS TO 265 +/- 35 ft Lbs

		ALTORFER POWER SYSTEMS 6315 W. FAUBER RD. PHONE (309) 697-1234 BARTONVILLE, IL 61607 FAX (309) 282-7546	
10/29/15 DATE BY	ALL DIMENSIONS IN INCHES UNLESS OTHERWISE SPECIFIED	FILE DF/54A	PROJECT REFERENCE XQ400 (3456) RENTAL UNIT
UPDATE HARDWARE CHANGE NOTICE	TOLERANCES: .XX ± 0.100 .XXX ± 0.060 .XXX ± 0.005 ANGULAR ± 1°	THIRD ANGLE PROJECTION	SCALE/SHEET SIZE 1=20/C
1 NO	SHEET 1 OF 1	DRAWN BY M. RANTA	QUOTE NUMBER -
TITLE XQ400 (3456) ENCLOSURE MOUNTING GROUP	DATE 12/20/2000	WORK ORDER NUMBER -	DRAWING NUMBER 54A116-01