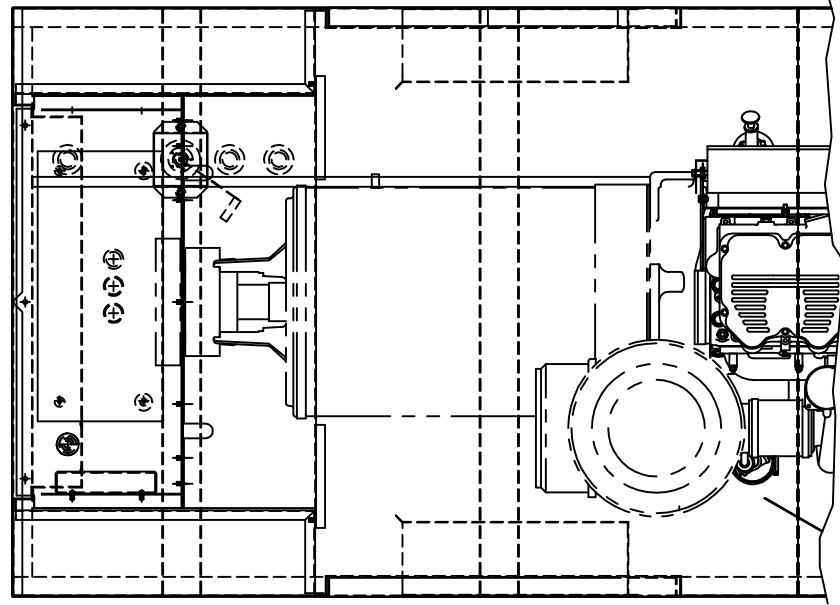
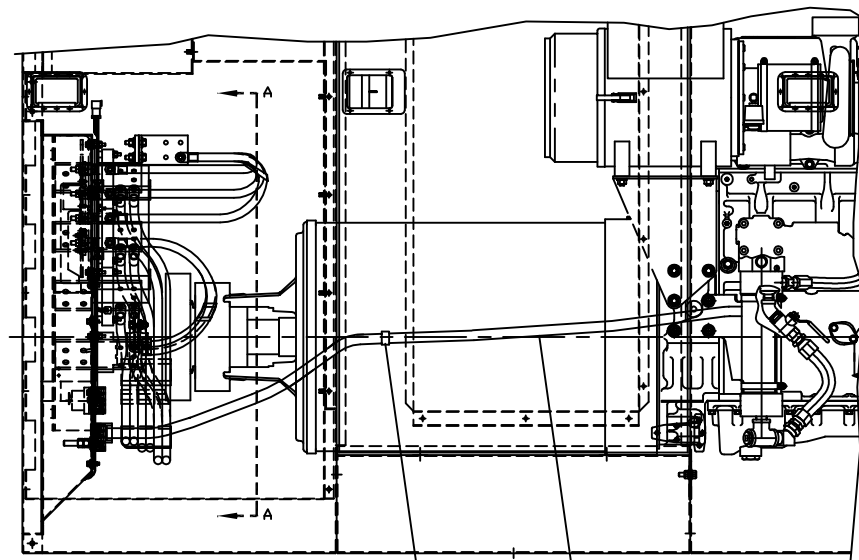


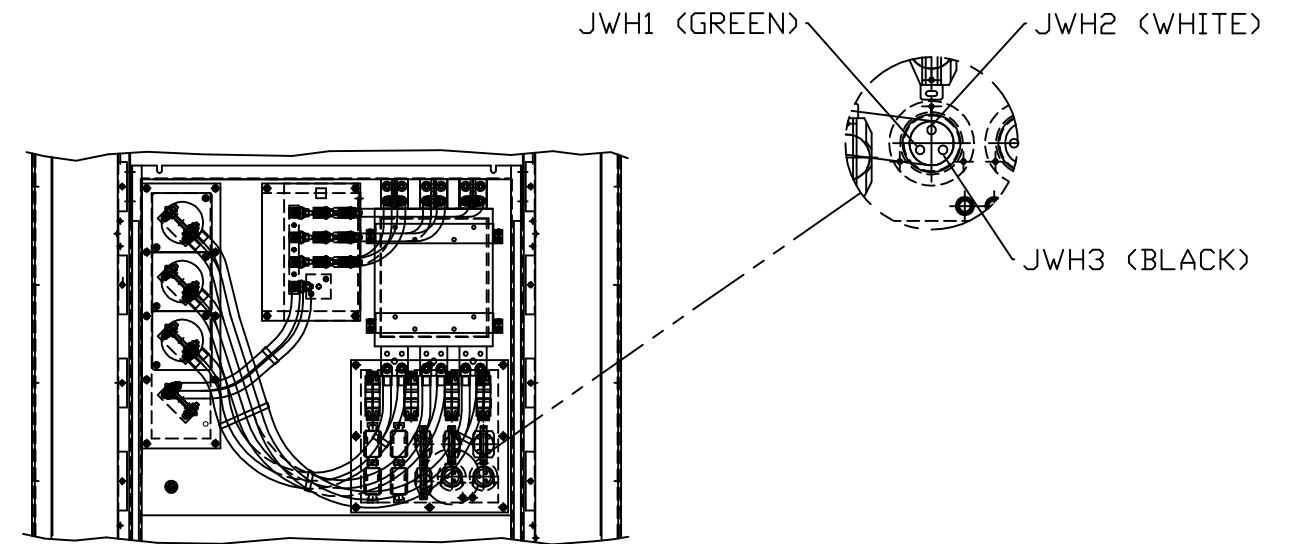
ITEM	QTY.	PART NUMBER	DESCRIPTION	WEIGHT
1	1	51E118-01	WIRING GROUP-JWH	1 Lbs
2	1	0708773	CLAMP-VINYL (5/8")	- Lbs
TOTAL				1 Lbs



TOP VIEW



RIGHT SIDE VIEW



VIEW A-A

10/28/15 D. ROLLING DATE	BY	ALTORFER			ALTORFER POWER SYSTEMS		
					6315 W. FAUBER RD. PHONE (309) 697-1234 BARTONVILLE, IL 61607 FAX (309) 282-7546		
UPDATE HARDWARE	CHANGE NOTICE	THIS DOCUMENT CONTAINS PROPRIETARY INFORMATION OF ALTORFER, INC. WITHOUT THE WRITTEN PERMISSION OF ALTORFER, INC., ANY COPYING OR OTHER USE EXCEPT THAT FOR WHICH IT WAS INTENDED IS PROHIBITED					
		ALL DIMENSIONS IN INCHES UNLESS OTHERWISE SPECIFIED	FILE DF\54A	PROJECT REFERENCE XQ400 (3456) RENTAL UNIT			
		TOLERANCES: X.X ± 0.100 X.XX ± 0.060 X.XXX ± 0.005	THIRD ANGLE PROJECTION	SCALE/SHEET SIZE 1=10/D	DRAWN BY M. RANTA	QUOTE NUMBER -	
		ANGULAR ± 1°		SHEET 1 OF 1	DATE 12/20/2000	WORK ORDER NUMBER -	
2	1	NO.	TITLE DUAL VOLTAGE JACKET WATER HEATER WIRING GROUP			DRAWING NUMBER 54A113-01	