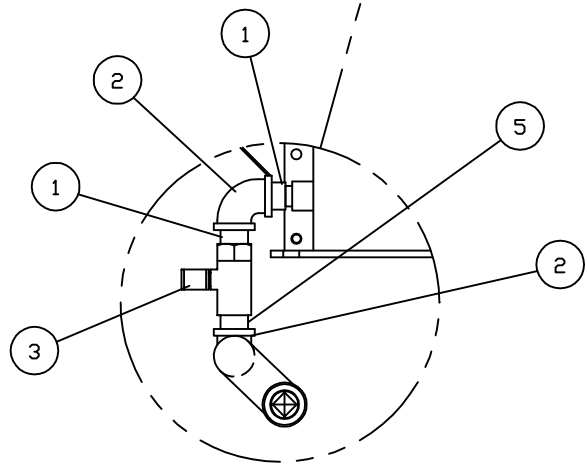
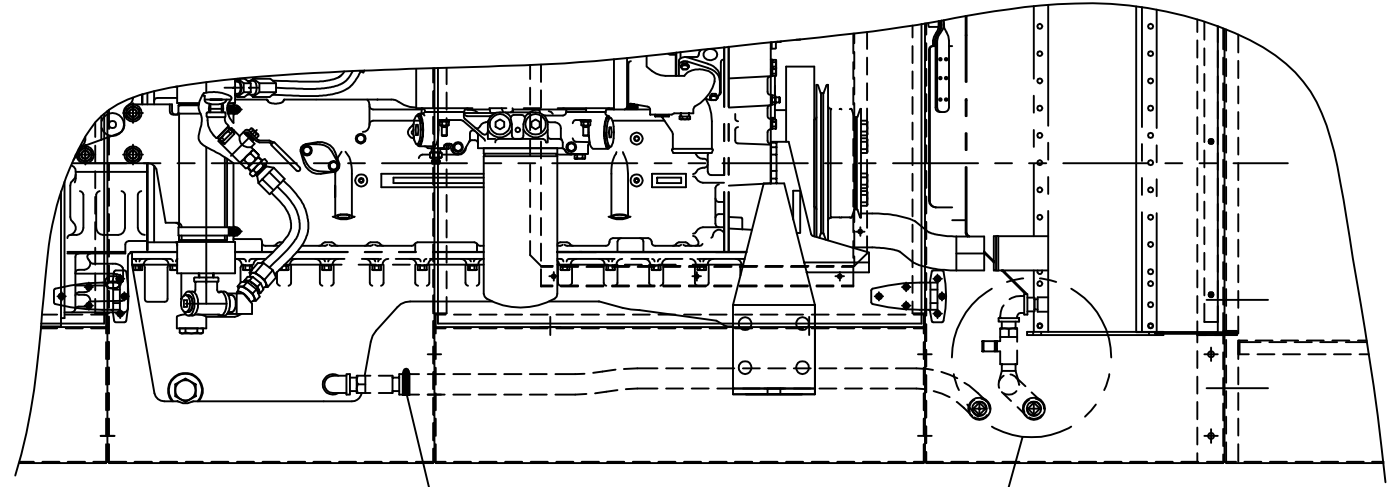
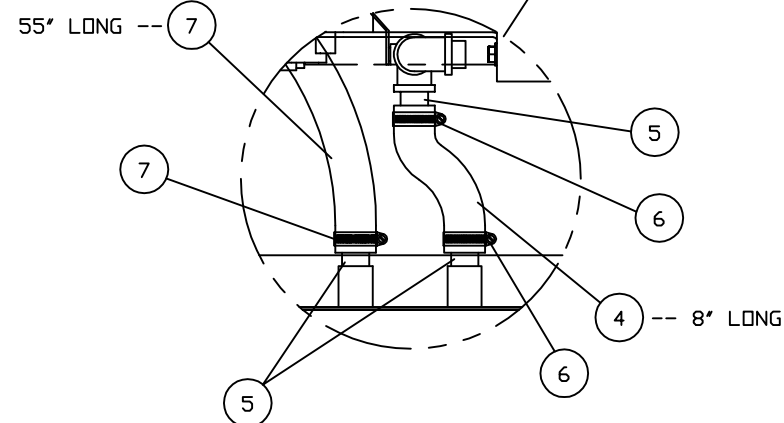
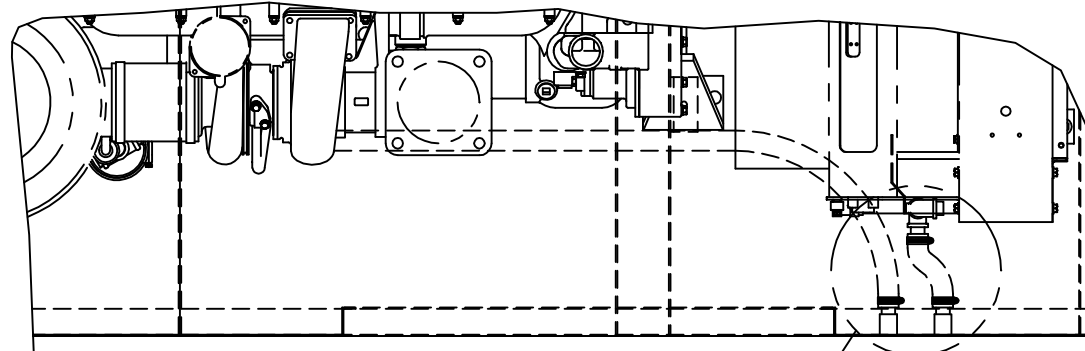


INCH 54A111-01



ITEM	QTY.	PART NUMBER	DESCRIPTION	WEIGHT
1	2	44615K415	NIPPLE-PIPE (3/4" CLOSE)	- Lbs
2	2	44605K115	ELBOW-PIPE (3/4" 90°)	1 Lbs
3	1	112-4036	VALVE-BALL (3/4")	1 Lbs
4	70'	RH114	HOSE-1-1/4" (RED WINGFOOT)	3 Lbs
5	4	8718	NIPPLE-PIPE (3/4" X 2")	- Lbs
6	4	2S-3440	CLAMP-HOSE (1-1/2")	- Lbs
TOTAL				6 Lbs

ALTORFER		ALTORFER POWER SYSTEMS	
6315 W. FAUBER RD. BARTONVILLE, IL 61607		PHONE (309) 697-1234 FAX (309) 282-7546	
THIS DOCUMENT CONTAINS PROPRIETARY INFORMATION OF ALTORFER, INC. WITHOUT THE WRITTEN PERMISSION OF ALTORFER, INC., ANY COPYING OR OTHER USE EXCEPT THAT FOR WHICH IT WAS INTENDED IS PROHIBITED			
UPDATE HARDWARE NO.	CHANGE NOTICE DATE	ALL DIMENSIONS IN INCHES UNLESS OTHERWISE SPECIFIED	PROJECT REFERENCE
		TOLERANCES: X.X ± 0.100 X.XX ± 0.060 X.XXX ± 0.005	FILE DF/54A SCALE/SHEET SIZE 1=10/C SHEET 1 OF 1
		THIRD ANGLE PROJECTION	DATE 08/30/2000
		ANGULAR ± 1'	WORK ORDER NUMBER -
		TITLE XQ400 (3456) WATER & OIL DRAINS GROUP	DRAWING NUMBER 54A111-01