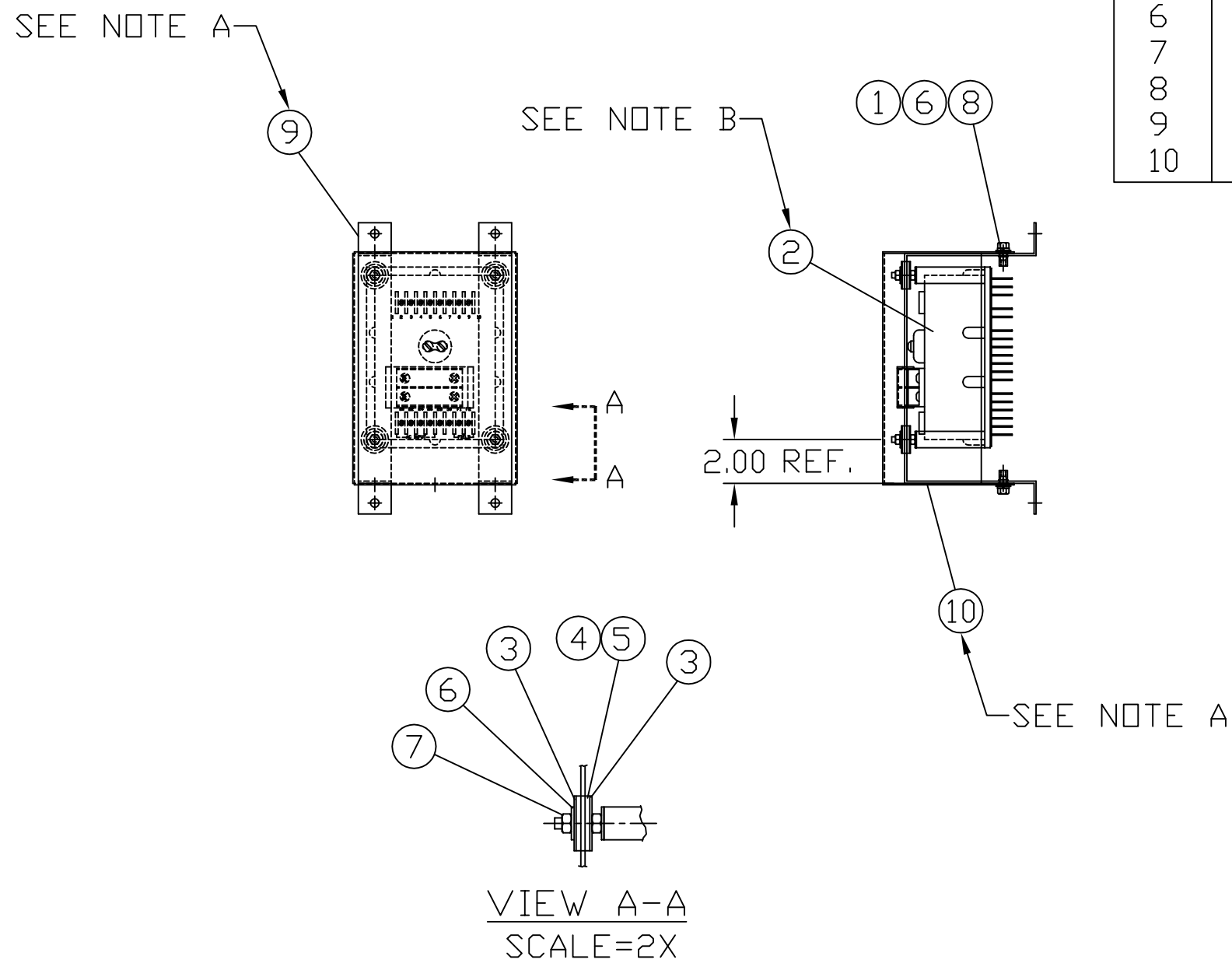


COMP	QTY	DESCRIPTION	WEIGHT
1	4	13003 - 1/4-20NCx.75BLT	1
2	1	155-3822 - VOLT. REG.	5
3	8	33208 - 1/4" FNDRWSHR	1
4	4	7C5708 - GROMMET	-
5	4	7C5709 - SLEEVE	-
6	8	33004 - 1/4" FLATWSHR	-
7	4	36401 - 1/4-20NC HDNUT	-
8	4	71063 - 1/4" LCKWSHR	-
9	1	52C167-1 - V.R. BRCKT	2
10	1	52C168 - VR3 REG. CVR	8
TOTAL			17



NOTE A: 52C167-1 - VOLT. REG. BRACKET &
52C168 - VR3 REG COVER RECEIVED
IN 54C100 - ENCLOSURE PARTS GP.

B: 155-3822 VOLTAGE REG. RECEIVED IN FOLLOWING
XQ400 GEN AR. - 188-9848 (480V)/188-9849 (600V)
XQ300 GEN AR. - 188-9649 (480V)/188-9847 (600V)
XQ200 GEN AR. - 188-9844 (480V)/188-9845 (600V)
XQ125 GEN AR. - 188-9842 (480V)/188-9843 (600V)

VR3 REGULATOR MOUNTING GROUP			
ALTORFER PACKAGING		ALTORFER POWER SYSTEMS #1 CAPITOL DRIVE P.O. BOX 2550 PH. 309-694-1234 EAST PEORIA, IL. 61611-0550 FAX 309-694-1262	
		JOB REF.	
		DRN BY M. RANTA	QUOTE NO.
		DATE 06-12-00	
		SCALE 1=10	FILE
NO.	DESCRIPTION OF CHANGE	BY	DATE
PROPRIETARY INFORMATION UNAUTHORIZED DUPLICATION PROHIBITED			DRAWING NO. 54A109
SHEET 1 OF 1			