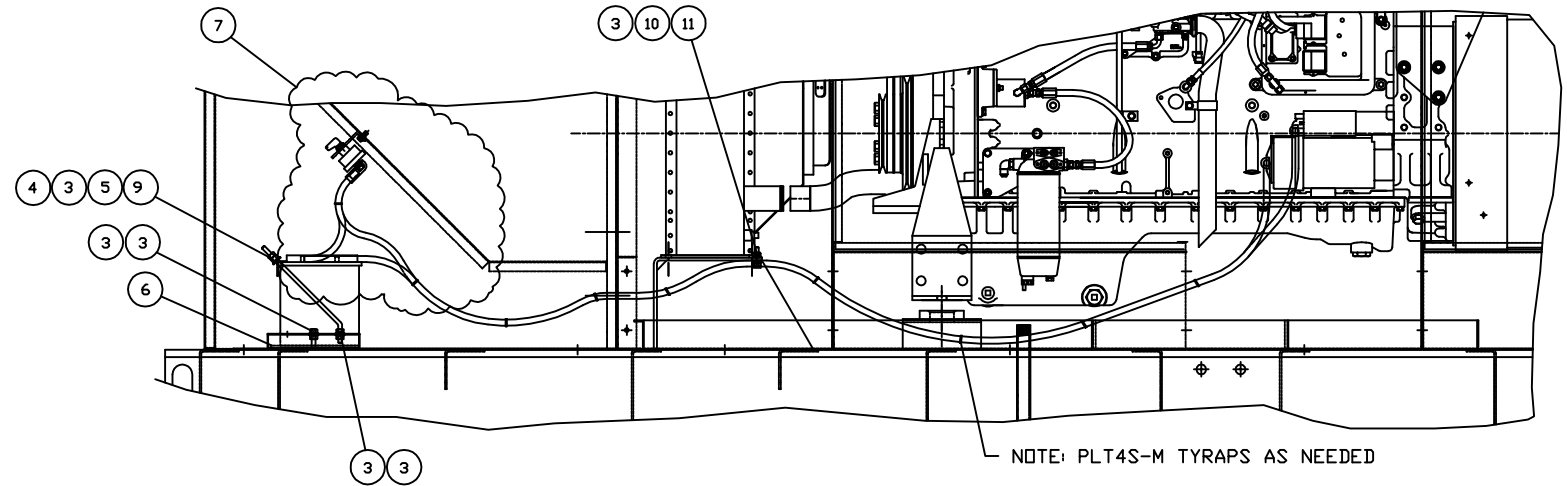
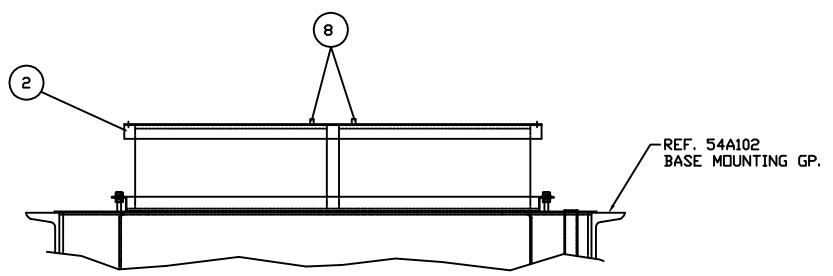
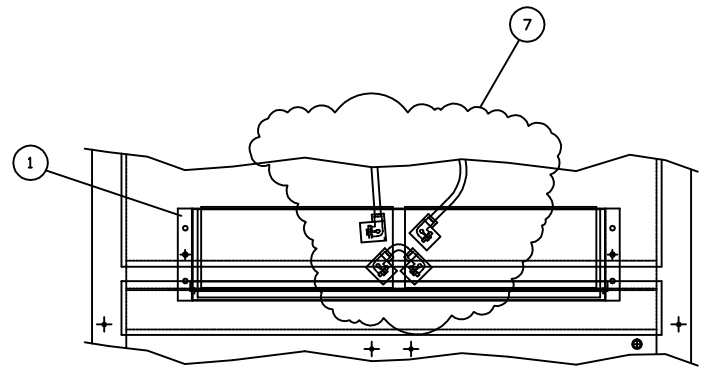


ITEM	QTY.	PART NUMBER	DESCRIPTION	WEIGHT
1	1	54E132	RACK-BATTERY (BLACK)	13
2	1	52C173	TIE DOWN-BATTERY (BLACK)	4
3	11	198-2970	NUT-FLANGE (3/8"-16)	-
4	2	8T-4896	WASHER-HARD (3/8")	-
5	2	6V-8801	NUT (3/8"-16)	-
6	1	BB12	BATTERY BOARD	3
7	1	54E170	BATTERY CABLE GROUP	15
8	2	153-5710	BATTERY-MF (8D)	80
9	2	HRACK ROD	ROD-BATTERY	-
10	1	345-8531	BOLT-FLANGE (3/8"-16 X 1")	-
11	2	0708785	CLAMP-VINYL (7/8")	-
TOTAL				115LBS.



NOTE: PLT4S-M TYRAPS AS NEEDED

DATE BY		<b>ALTORFER</b>			<b>ALTORFER POWER SYSTEMS</b> 6315 W. FAUBER RD.      PHONE (309) 697-1234 BARTONVILLE, IL 61607      FAX (309) 282-7546		
		THIS DOCUMENT CONTAINS PROPRIETARY INFORMATION OF ALTORFER, INC. WITHOUT THE WRITTEN PERMISSION OF ALTORFER, INC., ANY COPYING OR OTHER USE EXCEPT THAT FOR WHICH IT WAS INTENDED IS PROHIBITED					
CHANGE NOTICE	NO.	ALL DIMENSIONS IN INCHES UNLESS OTHERWISE SPECIFIED		FILE	PROJECT REFERENCE		
				DF\54A	XQ400RM 3456 RENTAL UNIT		
		TOLERANCES: X.X ± 0.100 X.XX ± 0.060 X.XXX ± 0.005	THIRD ANGLE PROJECTION	SCALE/SHEET SIZE 1=10/D	DRAWN BY D. ROLLING	QUOTE NUMBER -	
		ANGULAR ± 1°		SHEET 1 OF 1	DATE 10/20/2015	WORK ORDER NUMBER -	
2	1	TITLE XQ400RM 3456 BATTERY MOUNTING GROUP				DRAWING NUMBER 54A107-RM	