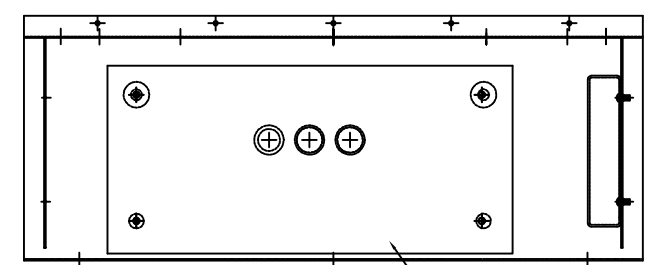


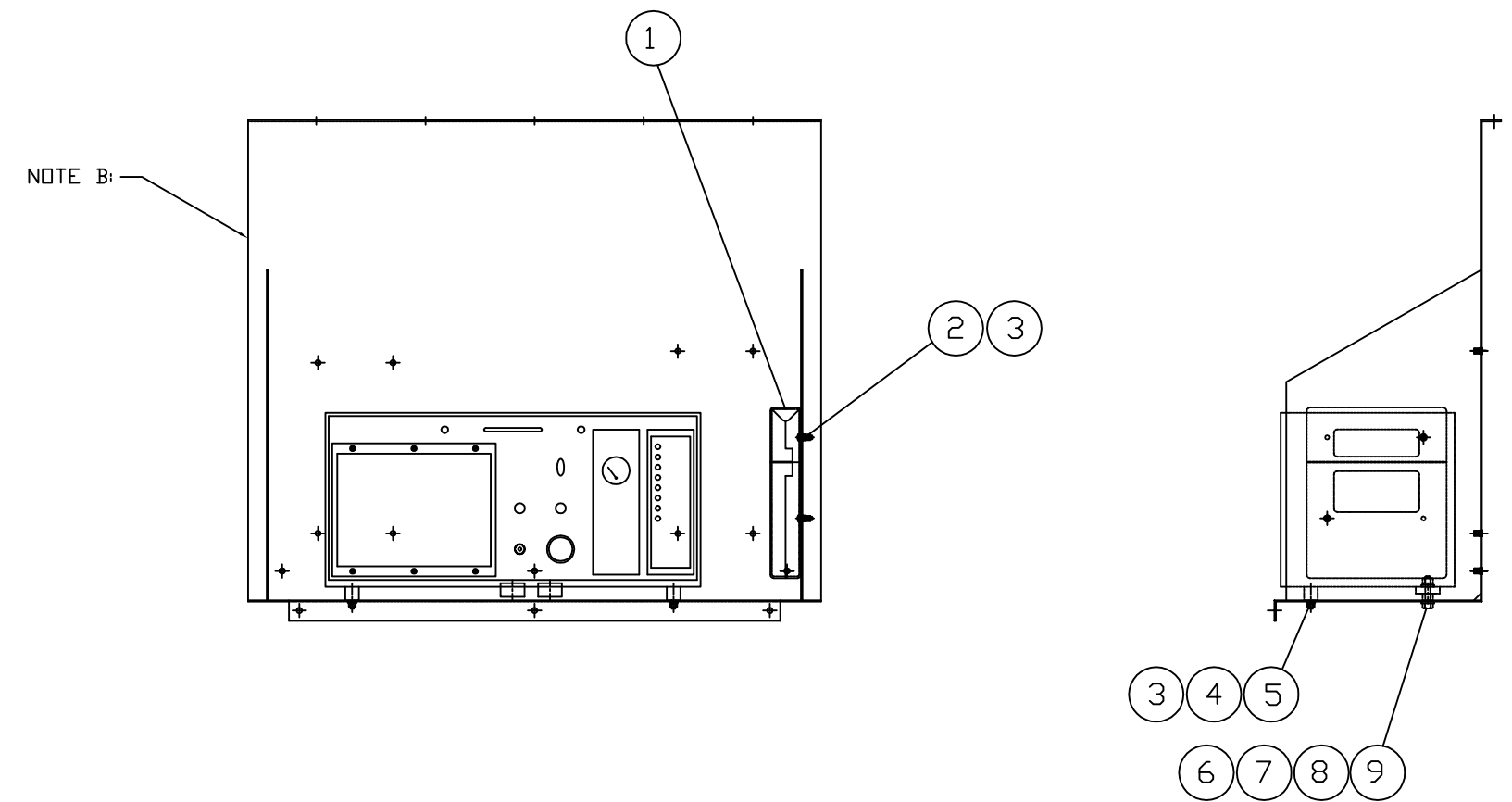
| ITEM | QTY. | PART NUMBER | DESCRIPTION |
|------|------|-------------|--------------------------------|
| 1 | 1 | 194-4184 | COMPARTMENT ASSY. - LITERATURE |
| 2 | 2 | 033-8755 | SCREW SS (1/4"-20 X 1") |
| 3 | 4 | 8T-4205 | WASHER-HARD (1/4"-M6) |
| 4 | 2 | 3B-4504 | WASHER-LOCK (1/4") |
| 5 | 2 | 6V-8185 | NUT (1/4"-20) |
| 6 | 2 | 8T-2501 | BOLT (3/8"-16 X 2") |
| 7 | 4 | 8T-4896 | WASHER-HARD 3/8" |
| 8 | 2 | 3B-4506 | WASHER-LOCK (3/8") |
| 9 | 2 | 6V-8801 | NUT (3/8"-16) |



SEE NOTE A:

NOTE A: 195-6539 DUAL VOLTAGE CONTROL PANEL
196-1960 CSA CONTROL PANEL

NOTE B: 54C146 CONTROL PANEL PAN ASSY. SHIPPED WITH
ENCLOSURE KIT (54C100BM)



NOTE B:

| | | | | | |
|---|------------------------|-----------------------------|---|--|--|
| 10/19/15 D. ROLLING DATE | | BY | | ALTORFER POWER SYSTEMS 6315 W. FAUBER RD. PHONE (309) 697-1234 BARTONVILLE, IL 61607 FAX (309) 282-7546 | |
| UPDATE HARDWARE | | CHANGE NOTICE | | | |
| THIS DOCUMENT CONTAINS PROPRIETARY INFORMATION OF ALTORFER, INC. WITHOUT THE WRITTEN PERMISSION OF ALTORFER, INC., ANY COPYING OR OTHER USE EXCEPT THAT FOR WHICH IT WAS INTENDED IS PROHIBITED | | | | | |
| ALL DIMENSIONS IN INCHES UNLESS OTHERWISE SPECIFIED | | FILE DF\54A | PROJECT REFERENCE XQ400 (3456) RENTAL UNIT | | |
| TOLERANCES: X.X ± 0.100 X.XX ± 0.060 X.XXX ± 0.005 | THIRD ANGLE PROJECTION | SCALE/SHEET SIZE NTS | DRAWN BY M. RANTA | QUOTE NUMBER - | |
| ANGULAR ± 1° | | SHEET 1 OF 1 | DATE 06/12/2000 | WORK ORDER NUMBER - | |
| TITLE XQ400 (3456) RENTAL UNIT CONTROL PANEL MOUNTING GROUP | | DRAWING NUMBER 54A101-01 | | | |