

INCH 53E420A-00

NOTE A: REFER TO EDS

NOTE B: MOUNT FILMS ON CONTROL PANEL FLOOR.

NOTE C: FOR REQUIRED PRODUCT MARKING SEE.

NOTE D: IDENTIFICATION NAME PLATE SHALL BE PERMANENTLY AFFIXED TO THE INSIDE LOWER SURFACE OF THE CONTROL PANEL ENCLOSURE AND SHALL INCLUDE THE PANEL PART NUMBER, MODEL NUMBER AND DATE CODE OF MANUFACTURE.

NOTE E: MOUNT TETHER STRAPS TO METER PLATE.

NOTE F: CONTROL PANEL ENCLOSURE JOINTS & HARDWARE MOUNTING HOLES SHALL BE SEALED WITH DOW CORNING RTV732.

NOTE G: PLACE GROUND STRAP UNDERNEATH NUT OF CONTROL MODULE

NOTE H: ALL WIRE SHALL BE STRANDED 16 AWG UL & CSA, 90°C, 600VAC INSULATION UNLESS OTHERWISE NOTED BY THE FOLLOWING SYMBOLS.

$\square 10$  = 10 AWG WIRE  
 $\square 18$  = 18 AWG WIRE

$\textcircled{G/Y}$  = GREEN & YELLOW STRIPED WIRE INSULATION.

WIRES TO BE CAPPED & SECURED WHEN NOT USED. PROVIDE WIRE ROUTING & HARDWARE TO PREVENT WIRE CHAFFING.

NOTE J: SEGREGATE AC WIRING FROM DC WIRING.

NOTE L: SEE SHEET 7 FOR WIRING DIAGRAM INFORMATION.

NOTE M: CONTROL PANEL DOOR TO TERMINAL STRIP INTERCONNECT WIRE ROUTING, SHALL AVOID SHARP EDGES THAT MAY DAMAGE WIRE INSULATION.

NOTE P: POLARITY MARKING ON CT GOES TOWARDS GENERATOR.

NOTE Q: CONTROL PANEL GROUND WIRE SHALL BE 14 AWG WITH GREEN AND YELLOW STRIPED INSULATION RATED 90°C, 600 VAC, UL & CSA. WIRE SHALL BE LABELED "GND" & SHALL HAVE AN APPROPRIATELY SIZED RING TERMINAL FOR 1/4"-20 SCREW.

NOTE R: THE COMPLETED CONTROL PANEL SHALL BE FINISH PAINTED CATERPILLAR POWER MODULE WHITE WITH THE INSTRUMENT DOOR PAINTED FLAT BLACK.

NOTE S: A COMPLETE SET OF CAT DRAWINGS INCLUDING OUTLINE DRAWING, WIRING DIAGRAMS, SCHEMATIC DIAGRAMS, AND INTERCONNECT DIAGRAMS SHALL BE PACKED WITH EACH CONTROL PANEL.

NOTE T: PROGRAMMING

NOTE U: FOR ADDITIONAL INFORMATION SEE.

NOTE V: NOTCH SIDES AS REQUIRED FOR WIRE PASSAGE.

NOTE W: ALL CAN DATA LINK WIRING TO BE 153-2707

NOTE X: PLACE WASHER BETWEEN SUBPAN AND RAIL FOR SPACING

NOTE Y: TRANSFORMERS TO SHIP WITH COMPLETED CONTROL PANEL

3			2			1			
QTY	ITEM	MEAS UNIT	PART NO.	NAME	QTY	ITEM	MEAS UNIT	PART NO.	NAME
PARTS LIST									
1	1		110-5174	SWITCH	48	2		129-0308	POTENTIOMETER
2	1		3E-3389	WEDGE-RECP LOCK	49	2		7C-4550	SEAL-ROT SFT
3	1		7C-0974	FILM-WARNING	50	1		3T-0270	RESISTOR
4	1		196-2250	PLATE AS	51	4		6V-8185	NUT-FULL
5	1		7C-2954	GASKET-MODULE	52	1		264-1963	PANEL AS.
6	2		7G-9730	LAMP AS.	53	2		111-1324	BLOCK
7	2		7N-5876	LAMP-MINIATURE	54	1		111-1325	BLOCK
8	1		8D-2676	SWITCH AS-TOGGLE	55	3		3N-5977	BLOCK
9	1		8T-2882	HANDLE-PULL	56	14		096-6166	WASHER-HARD
10	6		9F-8125	LOCKWASHER-TOOTH	57	6		7W-0482	FUSE
11	2		121-4721	STRIP-DUST SEAL	58	2		6V-7802	FUSE
12	2		121-4722	STRIP-DUST SEAL	59	1		166-6161	DUCT-WIRE
13	1		103-6272	SEAL-CONTROL	60	1		166-6155	DUCT-WIRE
14	2		125-0171	LOCK AS	61	28		3L-8187	LOCKWASHER-#6
15	2		126-7491	STRAP	62	1		097-5921	RAIL-MTG
16	4		136-3376	MOUNT-VIBRATION	63	2		8F-5758	SCREW-MACHINE
17	8		137-1352	WASHER	64	2		7H-3937	LOCKWASHER-TOOTH
18	1		258-4940	PANEL AS.-BOX	65	5		192-2924	BLOCK-TERMINAL
19	8		211-0089	NUT-HEX FLANGE	66	2		171-6260	COVER-END
20	1		202-4234	FILM-UL LISTED	67	13		192-2922	BLOCK-TERMINAL
21	10		243-2027	NUT	68	2		162-0589	BRACKET-END
22	1		450-9606	CONTROL GP-ELECT	69	42		9X-3402	SOCKET-CONNECTOR
23	1		268-9278	PANEL AS	70	5		133-0970	RECEPTACLE AS.
24	1		243-4174	STRAP-GROUND	71	12		174-0502	PLUG AS.-CONN
25	1		244-9605	BRACKET	72	7		155-2266	WEDGE-PLUG LOCK
26	1		155-5234	INDICATOR AS.	73	5		155-2276	WEDGE-PLUG LOCK
27	1		263-7740	FILM-CONT PANEL	74	3		174-3016	PLUG AS.-RES
28	1		109-6507	SWITCH-OPERATOR	75	1		160-7689	PLUG AS.-CONN
29	2		2D-6235	LOCKNUT	76	24		8T-8730	SOCKET-CONNECTOR
30	2		2N-3478	SCREW-MACHINE	77	65		9C-3695	PLUG-SEALING
31	6		2N-3479	SCREW-MACHINE	78	2		210-8950	RECEPTACLE AS.
32	2		2N-3480	SCREW-MACHINE	79	7		9X-3401	PIN-CONNECTOR
33	12		3E-9865	LOCKNUT	80	57		8T-8729	PIN-CONNECTOR
34	22		4B-2041	NUT	81	1		9W-0852	PIN-CONNECTOR
35	4		4B-2047	NUT	82	6		204-2616	TRANSFORMER
36	20		4B-4274	WASHER	83	1		245-2991	FILM-PRODUCT
37	24		8T-4205	WASHER-HARD	84	1		245-2987	FILM-NOMEN
38	8		8T-9364	BOLT	85	1		276-7456	FILM-IDENT
39	4		8T-9368	BOLT	86	2		314-9093	BAR-FIXED BRIDGE
40	1		303-5893	CONTROL GP.	87	1		314-9096	MARKER-TERMINAL
41	1		108-8715	FILM-V SWITCH					MISC REF
42	1		244-9613	GASKET-ALARM	C	1		6L-4502	PROD MARKING SYS
43	1		195-0534	RECEPTACLE AS.	A	1		53E421	DIAGRAM-WIRING
44	1		9X-0145	RECEPTACLE AS.					
45	1		9X-7148	RECEPTACLE AS.					
46	34		9X-6259	SCREW-MACHINE					
47	2		4W-5972	KNOB					

DATE BY	<b>ALTORFER</b>				
	<b>ALTORFER POWER SYSTEMS</b> 6315 W. FAUBER RD.      PHONE (309) 697-1234 BARTONVILLE, IL 61607      FAX (309) 282-7546				
CHANGE NOTICE	THIS DOCUMENT CONTAINS PROPRIETARY INFORMATION OF ALTORFER, INC. WITHOUT THE WRITTEN PERMISSION OF ALTORFER, INC., ANY COPYING OR OTHER USE EXCEPT THAT FOR WHICH IT WAS INTENDED IS PROHIBITED				
	ALL DIMENSIONS IN INCHES UNLESS OTHERWISE SPECIFIED	FILE DF/53A	PROJECT REFERENCE XQ230RM RENTAL UNIT		
	TOLERANCES: X.X ± 0.100 X.XX ± 0.060 X.XXX ± 0.005	THIRD ANGLE PROJECTION	SCALE/SHEET SIZE NONE	DRAWN BY D. ROLING	QUOTE NUMBER -
	ANGULAR ± 1'		SHEET 1 OF 7	DATE 05/30/2015	WORK ORDER NUMBER -
TITLE	EMCP4.2 CONTROL PANEL GROUP			DRAWING NUMBER 53E420A-00	

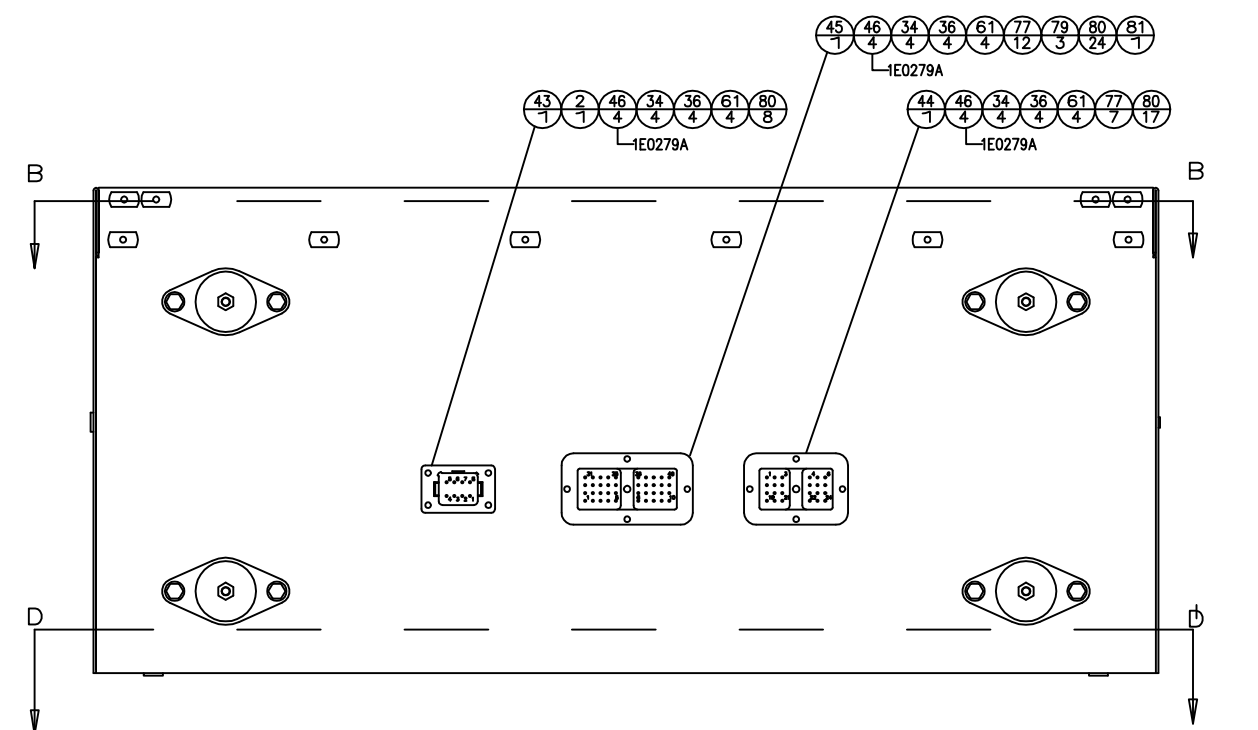
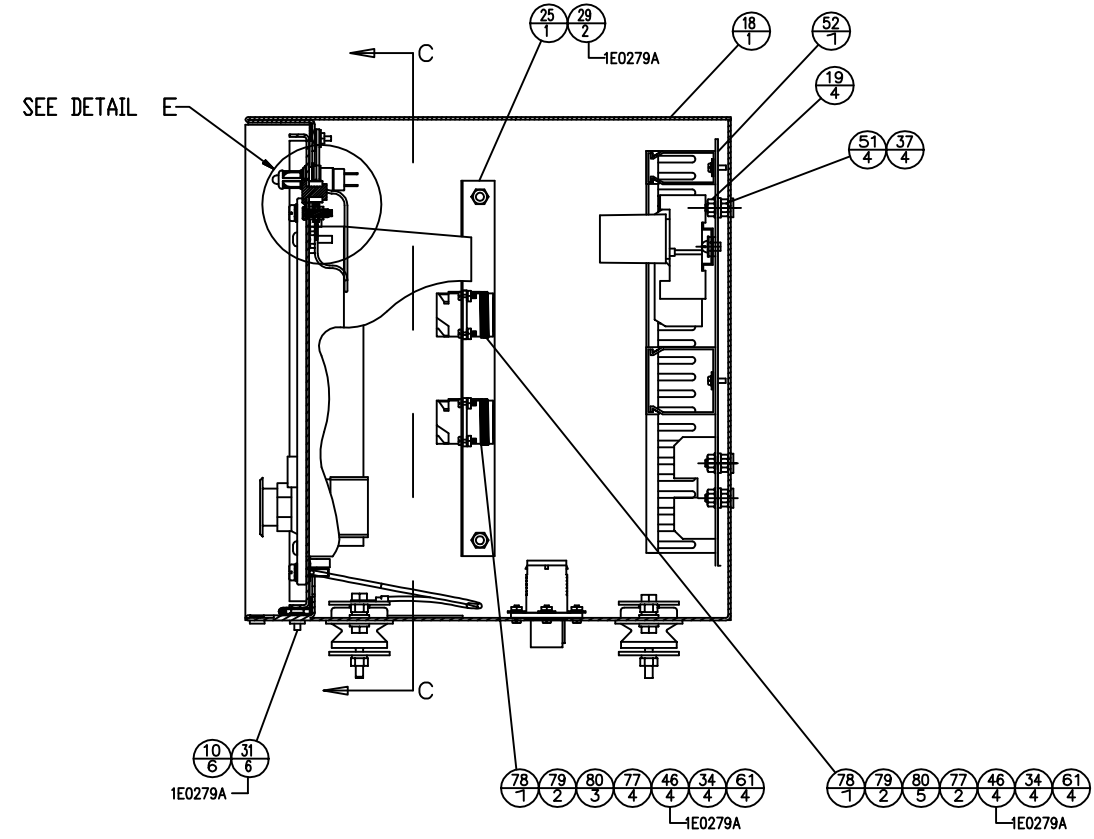
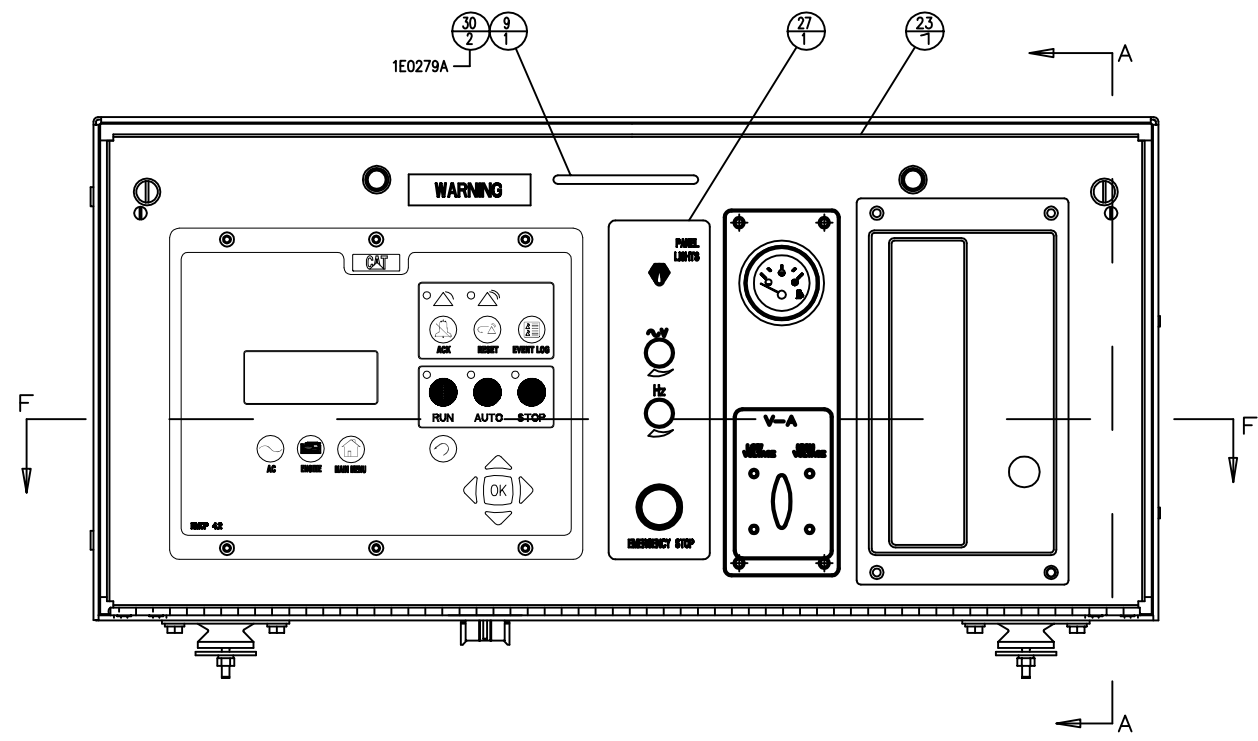
ABBREVIATIONS

A	AMMETER	OC	OVERCRANK LIGHT
ADS	ENGINE COMBUSTION AIR DAMPER POSITION SWITCH	OCR	OVERCURRENT RELAY
AFCR	AUXILIARY FUEL CONTROL RELAY	OCT	OVERCRANK TIMER
AL	AMBER LIGHT	OP	OIL PRESSURE
ALM	ALARM MODULE	OVR	OVERVOLTAGE RELAY
ALS	ALARM SILENCE PUSH BUTTON	OPG	OIL PRESSURE GAGE
ALT	ALTERNATOR	OPL	OIL PRESSURE LIGHT
AR	ARMING RELAY	OSL	OVERSPEED LIGHT
ASOS	AIR SHUT-OFF SOLENOID	PL	PANEL ILLUMINATION LIGHT
ASR	AIR SHUT-OFF RELAY	PLS	PANEL LIGHT SWITCH
ASSV	AIR START SOLENOID VALVE	POT	POTENTIOMETER
ATB	AC TRANSFORMER BOX	PP	PRELUBE PUMP
AUX	AUXILIARY TERMINAL STRIP	PPMS	PRELUBE PUMP MAGNETIC SWITCH
AUXREL	AUXILIARY RELAY (CRANK TERMINATION)	PPPS	PRELUBE PUMP OIL PRESSURE SWITCH
AWG	AMERICAN WIRE GAUGE	PR	PRE-REGULATOR
BATT	BATTERY	PROG	PROGRAMMABLE
BCF	BATTERY CHARGER FAILURE SWITCH	PS	PINION SOLENOID
C	COMMON	PSS	PERSONNEL SAFETY SWITCH
CAM	CUSTOM ALARM MODULE	RAN	REMOTE ANNUNCIATOR
CAR	COMMON ALARM RELAY	RES	RESISTOR
CB	CIRCUIT BREAKER	RL	RED LIGHT
COM	CUSTOMER COMMUNICATION MODULE	RLY	RELAY
CDM	ENGINE COOLDOWN TIMER MODULE	RPL	REVERSE POWER LIGHT
CR	CONTROL RELAY	RPR	REVERSE POWER RELAY
CT	CURRENT TRANSFORMER	RPSR	REVERSE POWER SLAVE RELAY
CTR	CRANK TERMINATION RELAY	RR	RUN RELAY
D	DIODE	SASV	START AID SOLENOID VALVE
DCV	DC VOLTMETER	SATS	START AID TEMPERATURE SWITCH
DS	DIAGNOSTIC SWITCH	SAS	START AID SWITCH
ECLS	ENGINE COOLANT LOSS SENSOR	SBCT	SERIES BOOST CURRENT TRANSFORMER
ECS	ENGINE CONTROL SWITCH	SBM	SERIES BOOST MODULE
ECTS	ENGINE COOLANT TEMPERATURE SENSOR	SEC	SECOND
EFOR	EMERGENCY FUEL CONTROL RELAY	SHTC	CIRCUIT BREAKER SHUNT TRIP COIL
EFL	ENGINE FAILURE LIGHT	SIG	SIGNAL
EG	ELECTRONIC GOVERNOR (SPEED SENSING)	SL	SYNCHRONIZING LIGHT
EGA	ELECTRONIC GOVERNOR ACTUATOR	SLM	SYNCHRONIZING LIGHT MODULE
EGR	ELECTRONIC GOVERNOR RELAY	SLR	SYNCHRONIZING LIGHT RESISTOR
ENFR	ENGINE FAILURE RELAY	SM	STARTING MOTOR
ENG	ENGINE	SMMS	STARTING MOTOR MAGNETIC SWITCH
EOPS	ENGINE OIL PRESSURE SENSOR	SMR	STARTING MOTOR RELAY
EOTS	ENGINE OIL TEMPERATURE SENSOR	SP	SPEED ADJUST POTENTIOMETER
ESPB	EMERGENCY STOP PUSH BUTTON	SR	SLAVE RELAY
ESL	EMERGENCY STOP LIGHT	SS	SYNCHRONIZING SWITCH
F	FUSE	T	GENERATOR LINE LEADS
FCR	FUEL CONTROL RELAY	TD	TIME DELAY RELAY
FLG	FUEL LEVEL GAUGE	TSC	TRANSFER SWITCH POSITION INDICATING CONTACT
FLSU	FUEL LEVEL SENDING UNIT	V	AC VOLTMETER
FS	FUEL SOLENOID	VAR	VOLTAGE ADJUST RHEOSTAT
FSOS	FUEL SHUT-OFF SOLENOID	VAS	VOLTMETER / AMMETER SWITCH
FCTM	FUEL CONTROL TIMER MODULE	WT	WATER TEMPERATURE
GFR	GENSET FAULT RELAY	WTG	WATER TEMPERATURE GAGE
GOV	GOVERNOR	WTL	WATER TEMPERATURE LIGHT
GRR	GENSET RUN RELAY	XDUCER	TRANSDUCER
GS	GOVERNOR SWITCH	Z	ZENER DIODE
GSC	GENERATOR SET CONTROL (EMCP4.2)		
GSM	GOVERNOR SYNCHRONIZING MOTOR		
GSOV	GAS SHUT-OFF VALVE		
HZ	FREQUENCY METER		
HFLAS	HIGH FUEL LEVEL ALARM SWITCH		
IC	REMOTE START/STOP INITIATE CONTACT		
IAHR	INTAKE AIR HEATER RELAY		
IH	INTAKE HEATER		
L	LOAD LEADS		
LFL	LOW FUEL LEVEL LIGHT		
LFLAS	LOW FUEL LEVEL ALARM SWITCH		
LFS	LATCHING FUEL CONTROL SOLENOID		
LOLAS	LOW OIL LEVEL ALARM SWITCH		
LWLAS	LOW WATER LEVEL ALARM SWITCH		
MAN	MANUAL		
MPU	MAGNETIC SPEED PICKUP		
NC	NORMALLY CLOSED		
NO	NORMALLY OPEN		

SYMBOLS

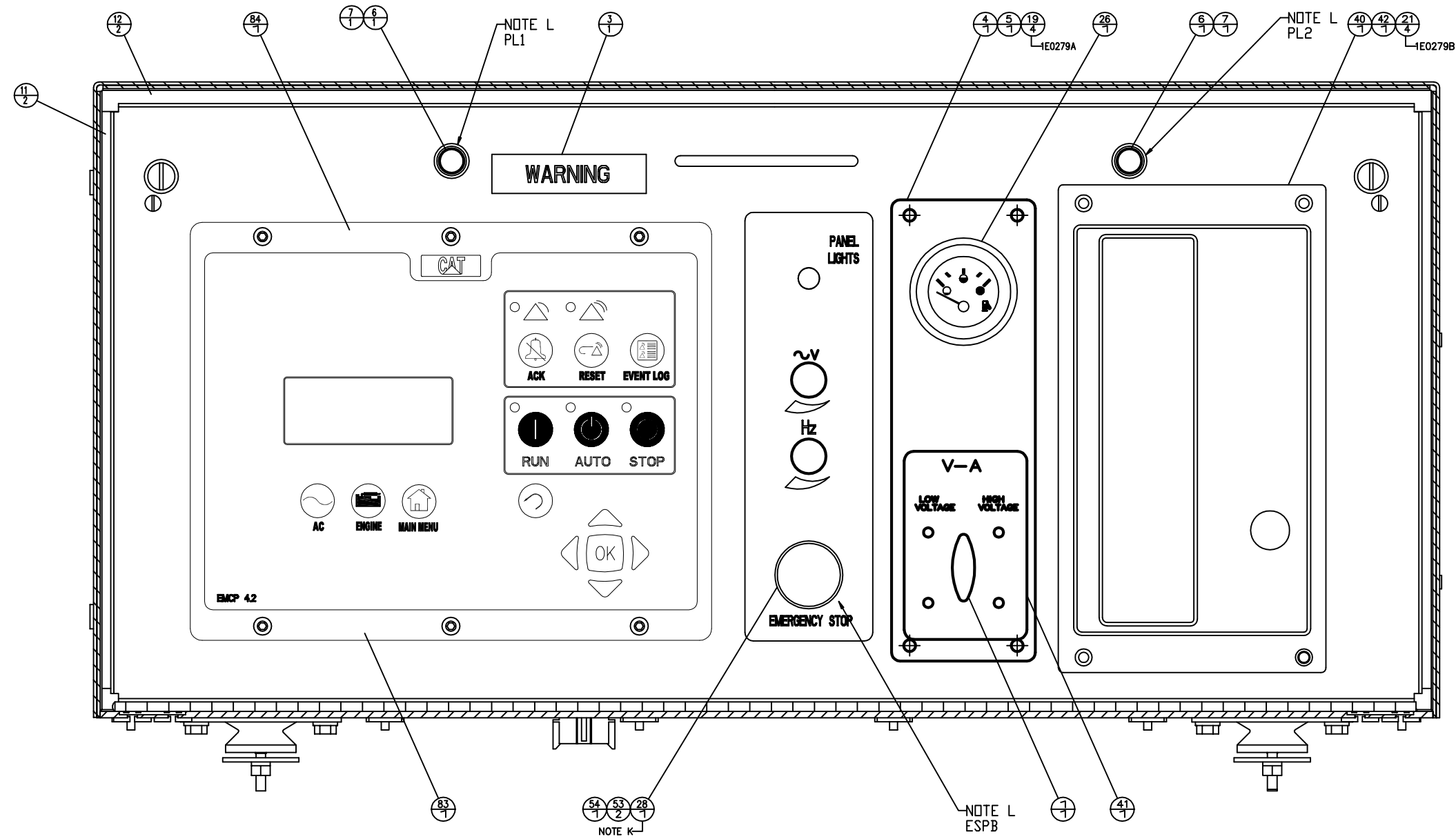
	A.C. CONNECTOR (JC)		AUTOMATIC RESET
	CONTROL PANEL TERMINAL POINT		NON-AUTO RESET
	VOLTAGE REGULATOR TERMINAL POINT		AUTOMATIC START-STOP MODE
	DC CONNECTOR #1 (JA)		SYSTEM NOT IN AUTOMATIC START-STOP MODE
	DC CONNECTOR #2 (JB)		CRANK
	DC POWER BOX CONNECTOR		ADJUSTABLE LOW-HI
	DC POWER BOX TERMINAL POINT		AC VOLTS
	STANDARD WIRING		LOW OIL PRESSURE
	ENGINE WIRING		OVERSPEED
	CUSTOMER WIRING		EMERGENCY STOP
	ALTERNATIVE WIRING		FAIL TO START (OVER CRANK)
	SHIELDED WIRE		LOW FUEL LEVEL
	ENGINE MOUNTED COMPONENT		LOW COOLANT TEMPERATURE
	TIME CLOSED CONTACT		HIGH COOLANT TEMPERATURE
	TIMED OPENED CONTACT		STARTING AID-ETHER
	TIMED CLOSED TIMED OPENED CONTACT		HORN
	RELAY CONTACT (NORMALLY OPEN)		HORN SILENCE/ACKNOWLEDGE SWITCH
	RELAY CONTACT (NORMALLY CLOSED)		RAISE
	RELAY CONTACT (NORMALLY CLOSED)		LOWER
	GENERATOR FRAME (CHASSIS) GROUND		LIQUID LEVEL SWITCH
	EARTH GROUND		LAMP
	PRESSURE SWITCH		LAMP
	PRESSURE SWITCH		PANEL ILLUMINATION LIGHT
	TEMPERATURE SWITCH		ENGINE INTAKE AIR DAMPER CLOSED
	TEMPERATURE SWITCH		SYSTEM BATTERY VOLTAGE
	MANUALLY OPERATED CONTROL		SERVICE HOURS
	OPERATED BY TURNING		ENGINE-STOP
	SPEED SWITCH CONTACT		ENGINE RPM
	SPEED SWITCH CONTACT		LAMP/DISPLAY TEST
	BREAKDOWN DIODE BIDIRECTIONAL		GENERATOR SYNCHRONIZING INDICATOR
	BREAKDOWN DIODE BIDIRECTIONAL		
	DIODE		
	DIODE		
	FUSE		
	FUSE		
	EMERGENCY SWITCH		
	RELAY COIL		
	RELAY COIL		
	CIRCUIT BREAKER		
	CIRCUIT BREAKER		
	AMMETER VOLTMETER PHASE SELECTOR SWITCH		
	REVERSE POWER		
	BATTERY CHARGER MALFUNCTION		

		<b>ALTORFER</b>		<b>ALTORFER POWER SYSTEMS</b>	
		6315 W. FAUBER RD.		PHONE (309) 697-1234	
		BARTONVILLE, IL 61607		FAX (309) 282-7546	
THIS DOCUMENT CONTAINS PROPRIETARY INFORMATION OF ALTORFER, INC. WITHOUT THE WRITTEN PERMISSION OF ALTORFER, INC., ANY COPYING OR OTHER USE EXCEPT THAT FOR WHICH IT WAS INTENDED IS PROHIBITED					
CHANGE NOTICE	ALL DIMENSIONS IN INCHES UNLESS OTHERWISE SPECIFIED		FILE	PROJECT REFERENCE	
			DF/53A	XQ230RM RENTAL UNIT	
	TOLERANCES: X.X ± 0.100 X.XX ± 0.060 X.XXX ± 0.005	THIRD ANGLE PROJECTION	SCALE/SHEET SIZE NONE	DRAWN BY D. ROLING	QUOTE NUMBER -
ANGULAR ± 1'		SHEET 2 OF 7	DATE 05/30/2015	WORK ORDER NUMBER -	
TITLE EMCP4.2 CONTROL PANEL GROUP					DRAWING NUMBER 53E420B-00



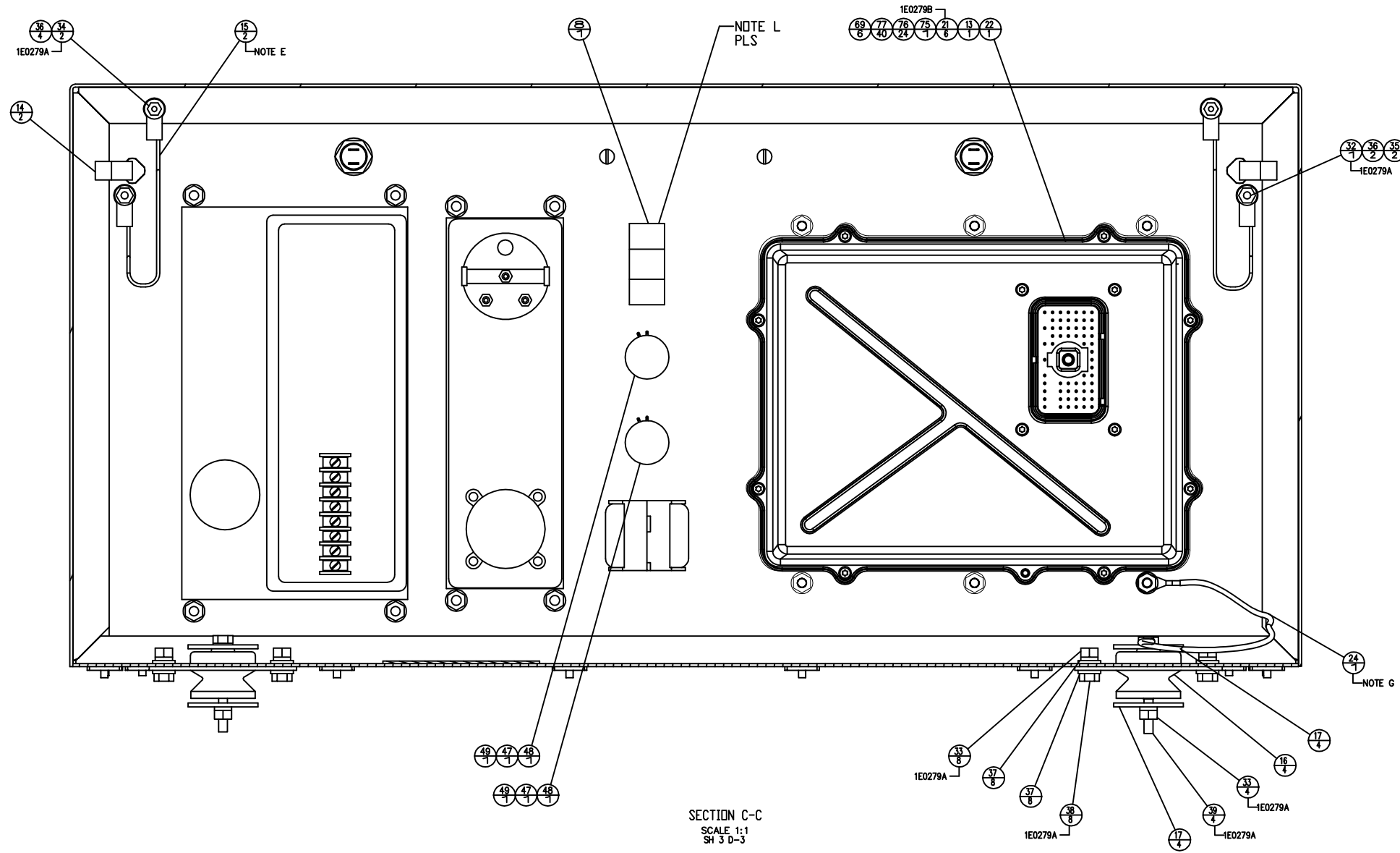
SECTION A-A

		<b>ALTORFER</b>		<b>ALTORFER POWER SYSTEMS</b>		
		6315 W. FAUBER RD.		PHONE (309) 697-1234		
		BARTONVILLE, IL 61607		FAX (309) 282-7546		
THIS DOCUMENT CONTAINS PROPRIETARY INFORMATION OF ALTORFER, INC. WITHOUT THE WRITTEN PERMISSION OF ALTORFER, INC., ANY COPYING OR OTHER USE EXCEPT THAT FOR WHICH IT WAS INTENDED IS PROHIBITED						
CHANGE NOTICE	NO.	ALL DIMENSIONS IN INCHES UNLESS OTHERWISE SPECIFIED		FILE	PROJECT REFERENCE	
				DF/53A	XQ230RM RENTAL UNIT	
		TOLERANCES: X.X ± 0.100 X.XX ± 0.060 X.XXX ± 0.005	THIRD ANGLE PROJECTION	SCALE/SHEET SIZE NONE	DRAWN BY D. ROLING	QUOTE NUMBER -
		ANGULAR ± 1'		SHEET 3 OF 7	DATE 05/30/2015	WORK ORDER NUMBER -
		TITLE EMCP4.2 CONTROL PANEL GROUP			DRAWING NUMBER 53E420C-00	

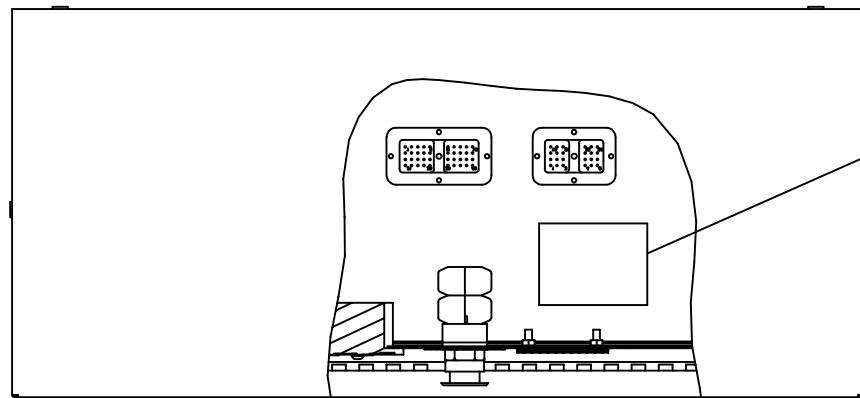


SECTION B-B  
SCALE 1:1  
SH 3 C-5

		<b>ALTORFER POWER SYSTEMS</b> 6315 W. FAUBER RD. PHONE (309) 697-1234 BARTONVILLE, IL 61607 FAX (309) 282-7546			
		THIS DOCUMENT CONTAINS PROPRIETARY INFORMATION OF ALTORFER, INC. WITHOUT THE WRITTEN PERMISSION OF ALTORFER, INC., ANY COPYING OR OTHER USE EXCEPT THAT FOR WHICH IT WAS INTENDED IS PROHIBITED.			
CHANGE NOTICE NO	ALL DIMENSIONS IN INCHES UNLESS OTHERWISE SPECIFIED	FILE DF/53A	PROJECT REFERENCE XQ230RM RENTAL UNIT		
	TOLERANCES: X.X ± 0.100 X.XX ± 0.050 X.XXX ± 0.005	THIRD ANGLE PROJECTION	SCALE/SHEET SIZE NONE	DRAWN BY D. ROLING	QUOTE NUMBER -
	ANGULAR ± 1°		SHEET 4 OF 7	DATE 05/30/2015	WORK ORDER NUMBER -
	TITLE EMCP4.2 CONTROL PANEL GROUP				DRAWING NUMBER 53E4200-00

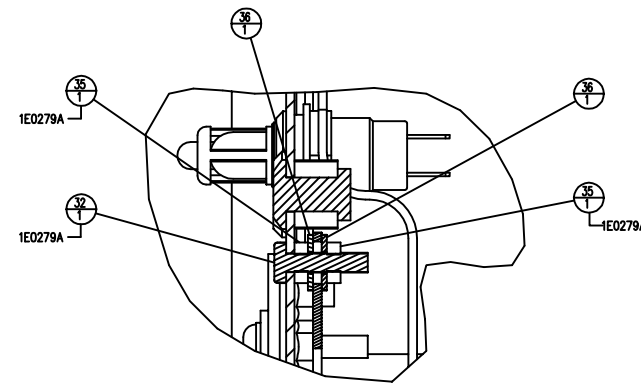


DATE BY		<b>ALTORFER</b>		<b>ALTORFER POWER SYSTEMS</b>	
		6315 W. FAUBER RD.		PHONE (309) 697-1234	
		BARTONVILLE, IL 61607		FAX (309) 282-7546	
THIS DOCUMENT CONTAINS PROPRIETARY INFORMATION OF ALTORFER, INC. WITHOUT THE WRITTEN PERMISSION OF ALTORFER, INC., ANY COPYING OR OTHER USE EXCEPT THAT FOR WHICH IT WAS INTENDED IS PROHIBITED		FILE		PROJECT REFERENCE	
ALL DIMENSIONS IN INCHES UNLESS OTHERWISE SPECIFIED		DF/53A		XQ230RM RENTAL UNIT	
TOLERANCES: X.X ± 0.100 X.XX ± 0.060 X.XXX ± 0.005		SCALE/SHEET SIZE NONE		DRAWN BY D. ROLING	
THIRD ANGLE PROJECTION		SHEET		DATE	
ANGULAR ± 1°		5 OF 7		05/30/2015	
TITLE		EMCP4.2 CONTROL PANEL GROUP		DRAWING NUMBER	
NO.		2		53E420E-00	

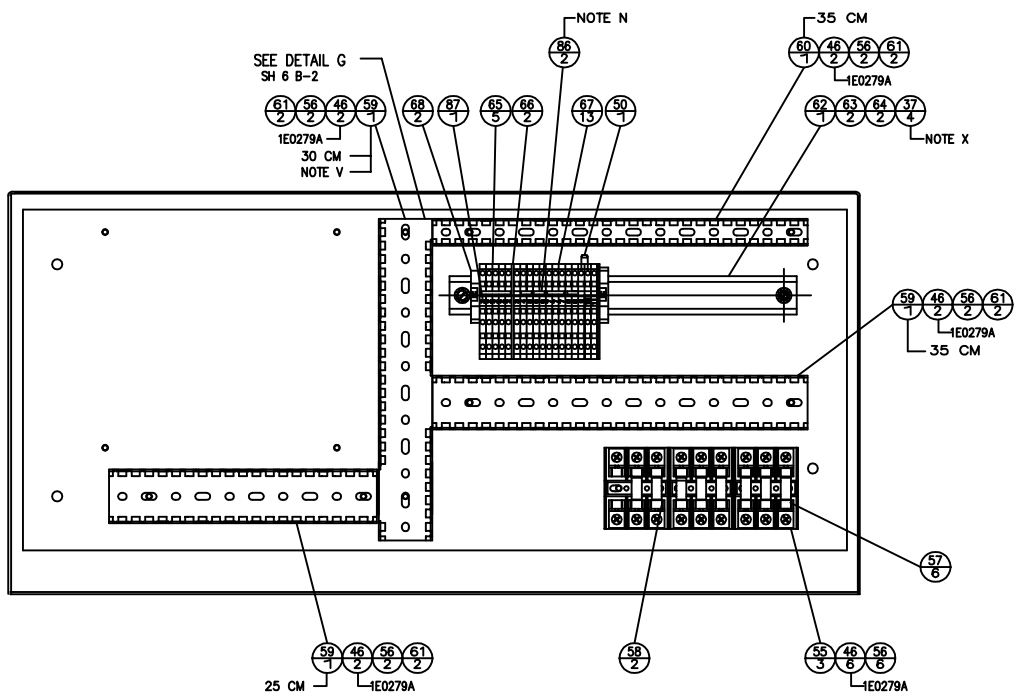


SECTION F-F  
SCALE 1:2  
SH 3 E-5

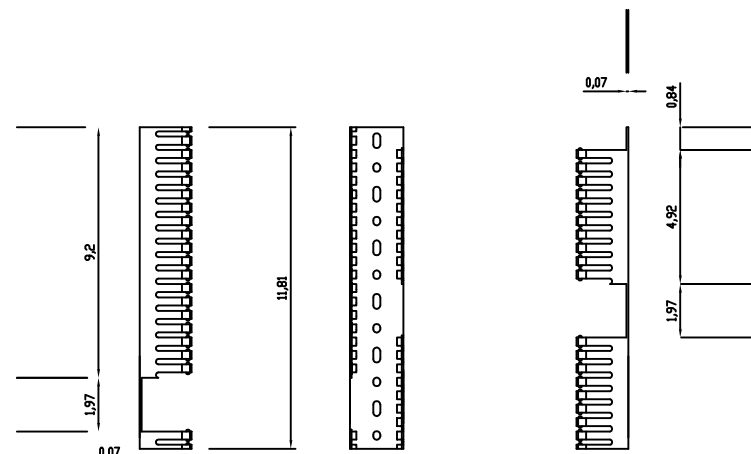
NOTE B



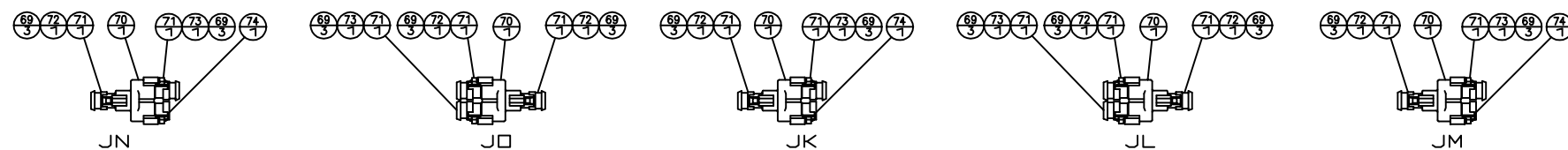
DETAIL E  
SCALE 2:1  
SH 3 F-4



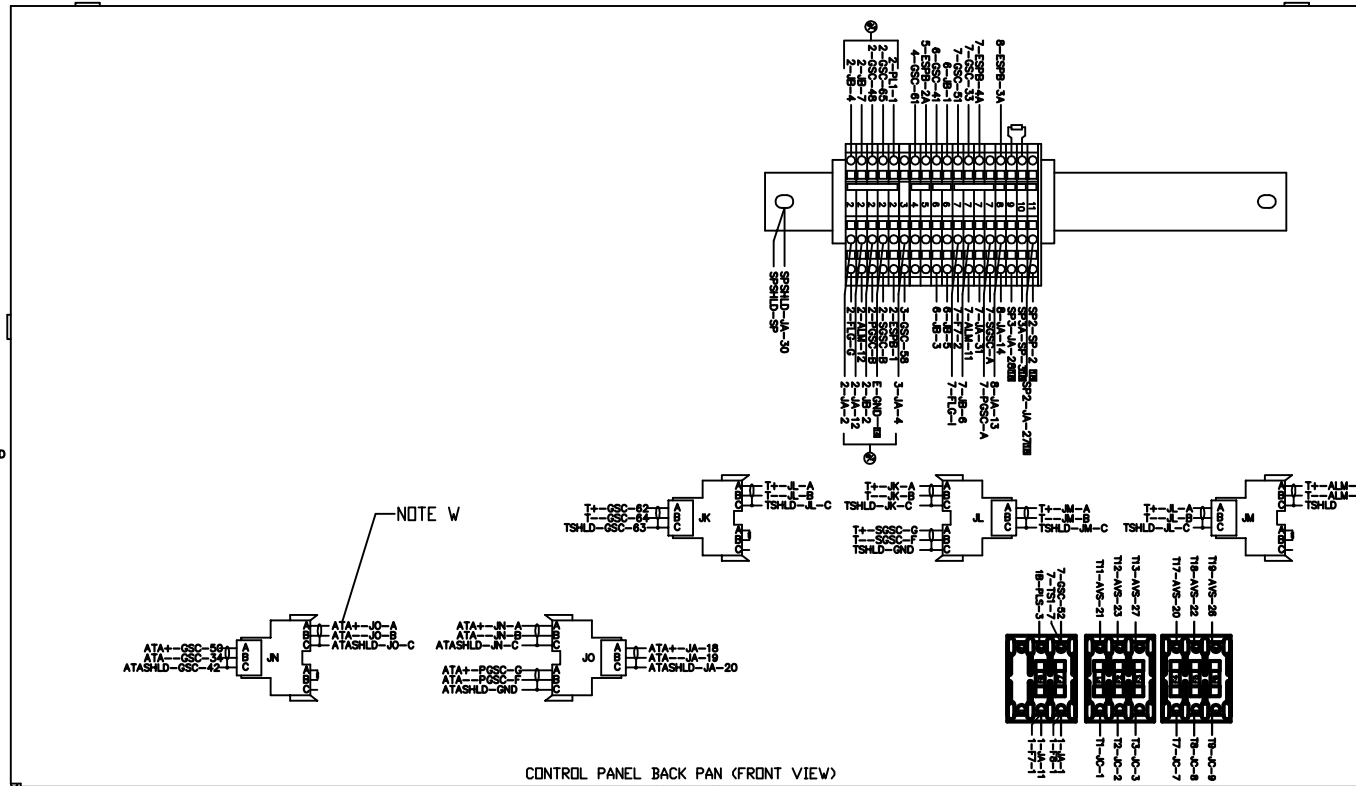
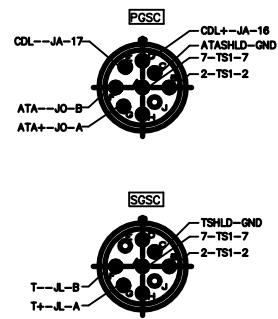
SECTION D-D  
SCALE 1:2  
SH 3 B-5



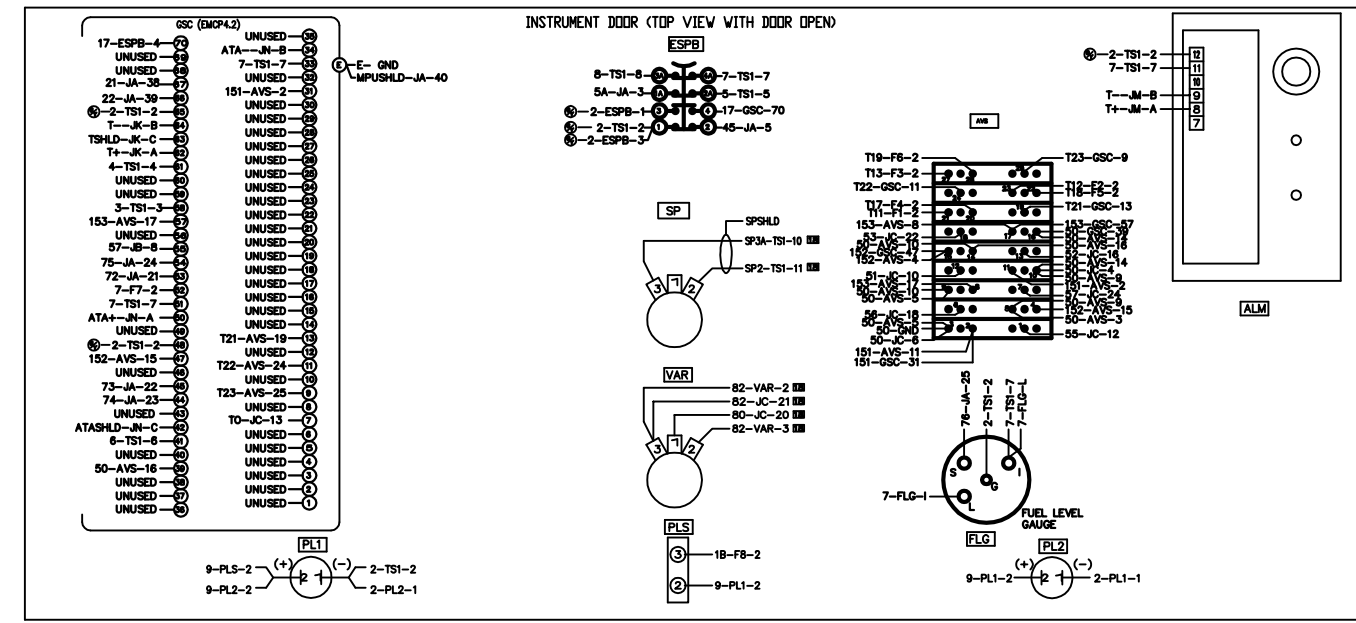
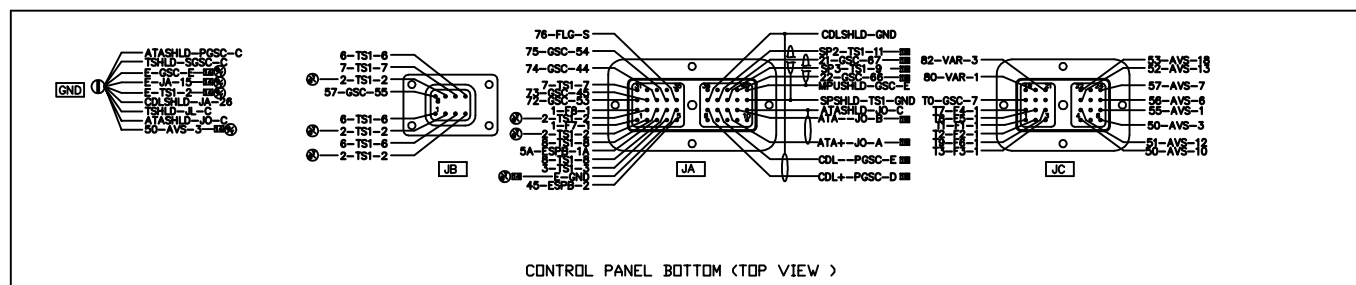
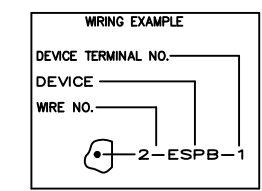
DETAIL G  
SCALE-N.T.S.  
SH 6 C-6



		<b>ALTORFER POWER SYSTEMS</b> 6315 W. FAUBER RD.      PHONE (309) 697-1234 BARTONVILLE, IL 61807      FAX (309) 262-7546			
		THIS DOCUMENT CONTAINS PROPRIETARY INFORMATION OF ALTORFER, INC. WITHOUT THE WRITTEN PERMISSION OF ALTORFER, INC., ANY COPYING OR OTHER USE EXCEPT THAT FOR WHICH IT WAS INTENDED IS PROHIBITED.			
CHANGE NOTICE DATE BY	FILE DF/53A	PROJECT REFERENCE XQ230RM RENTAL UNIT		TOLERANCES: X.X ± 0.100 X.XX ± 0.080 X.XXX ± 0.009	THIRD ANGLE PROJECTION
	SCALE/SHEET SIZE NONE	DRAWN BY D. ROLING	QUOTE NUMBER -	SHEET 6 OF 7	DATE 05/30/2015
	TITLE EMCP4.2 CONTROL PANEL GROUP	WORK ORDER NUMBER -	DRAWING NUMBER 53E420F-00		
					INCH



CR	F1	F2	F3	F4	F5	F6
F7	F8	JA	JB	JC	ESPB	GND
ALM	LSM	AVS	SP	VAR	PL1	PL2
PLS	PGSC	SGSC	FLG			



		<b>ALTORFER POWER SYSTEMS</b> 6315 W. FAUBER RD. PHONE (309) 697-1234 BARTONVILLE, IL 61807 FAX (309) 282-7546		
CHANGE NOTICE 1 INC	THIS DOCUMENT CONTAINS PROPRIETARY INFORMATION OF ALTORFER, INC. WITHOUT THE WRITTEN PERMISSION OF ALTORFER, INC., ANY COPYING OR OTHER USE EXCEPT THAT FOR WHICH IT WAS INTENDED IS PROHIBITED.	FILE DF/53A	PROJECT REFERENCE XQ230RM RENTAL UNIT	
	TOLERANCES: .XX ± 0.100 .XX ± 0.080 .XX ± 0.005	THIRD ANGLE PROJECTION	SCALE/SHEET SIZE NONE	DRAWN BY D. ROLING
	ANGULAR ± 1°		SHEET 7 OF 7	DATE 05/30/2015
	TITLE EMCP4.2 CONTROL PANEL GROUP		WORK ORDER NUMBER - DRAWING NUMBER 53E420G-00	