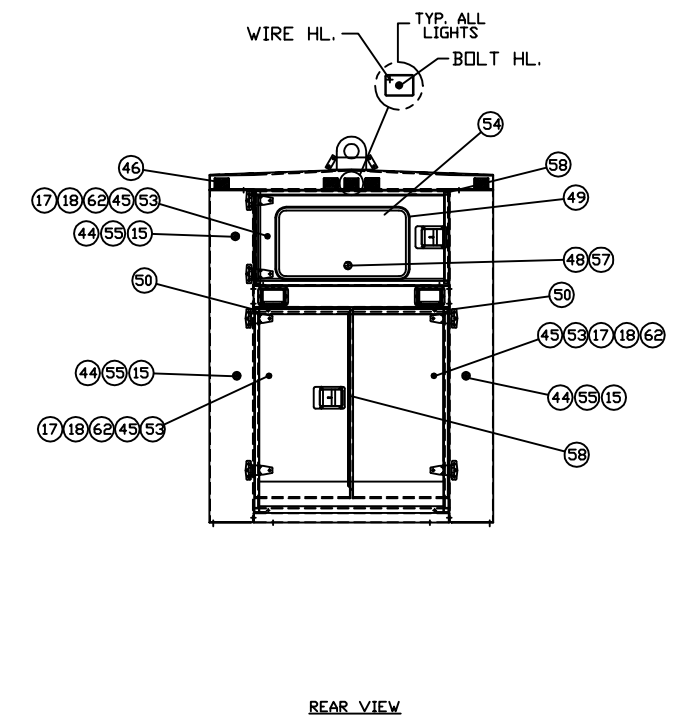
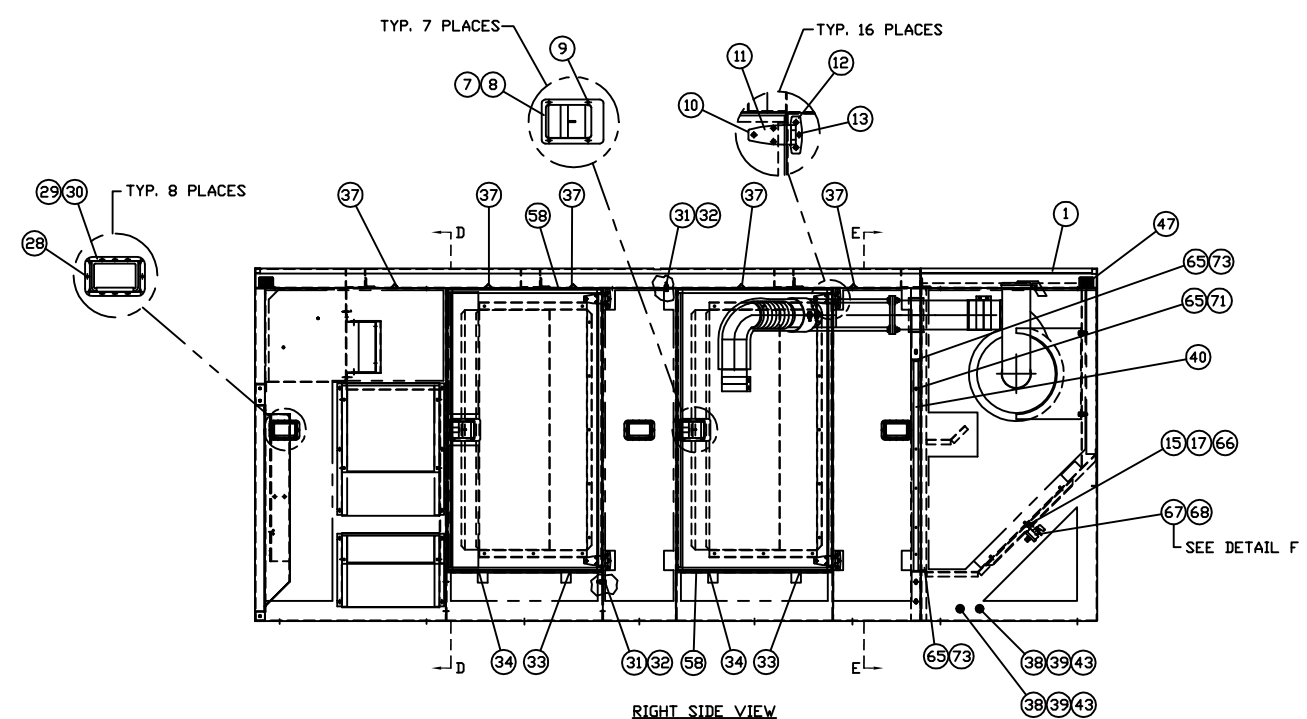


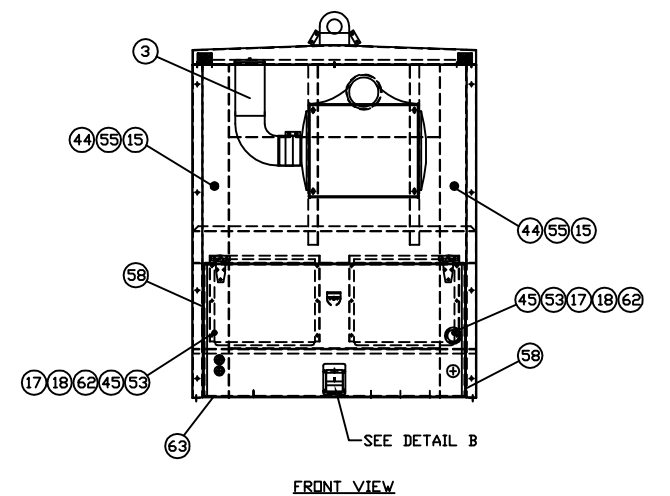
TOP VIEW



REAR VIEW



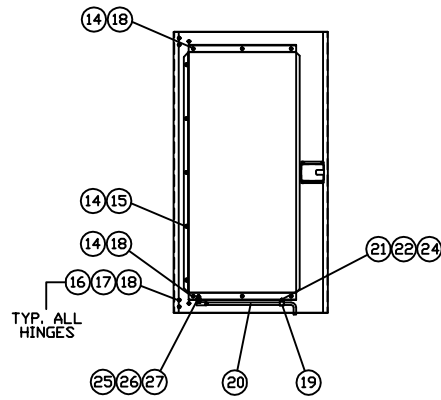
RIGHT SIDE VIEW



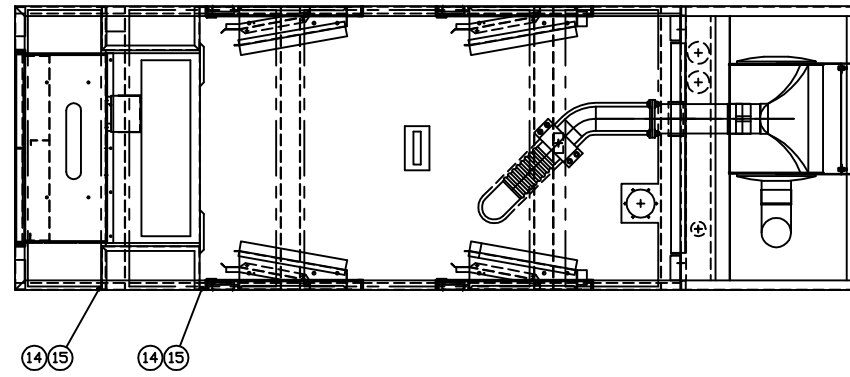
FRONT VIEW

COMP	QTY	DESCRIPTION	WEIGHT
1	1	53C200 - XQ230 ENCLOSURE PARTS GROUP	2,055
2	1	53D300 - XQ230/XQ300RM SOUND FOAM KIT INSTALATION	-
3	1	53A221 - XQ230 ENGINE EXHAUST GROUP	174
4	1	53A421 - XQ230 DUAL VOLTAGE LOAD PAN MOUNTING GROUP	313
5	1	53A422 - CONTROL PANEL MOUNTING GROUP	182
6	1	53A228 - VR6 VDLTAGE REGULADR MOUNTING GROUP	12
7	7	12059-01 - BLACK PADLOCKABLE ENCLOSURE SLAM LATCH	-
8	9	54D150 - LATCH GASKET	-
9	28	6C-3679 - 3/16" S.S. POP RIVET	-
10	16	317-5797 - DOOR HINGE GASKET	-
11	16	317-5796 - BLACK DOOR HINGE	-
12	16	317-5798 - HINGE GASKET - WALL	-
13	96	317-5797 - 1/4-20NCX1.00 S.S. TAPER PHILLIPS HEAD SCREW	-
14	56	3E-9865 - 1/4-20NC S.S. NYLON LOCK NUT	-
15	67	227-9767 - 1/4" S.S. FLAT WASHER	-
16	50	317-5699 - 1/4-20NC S.S. NUT	-
17	107	317-5698 - 1/4" S.S. LOCK WASHER	-
18	113	317-5700 - 1/4" S.S. NEOPRENE BACKED FLAT WASHER	-
19	4	5W1943 - DOOR KEEP ROD STORAGE CLIP	-
20	4	XQ ROD - DOOR KEEP ROD GROUP	-
21	4	37405 - #6-32 KEPS LOCKNUT	-
22	12	33070 - #6 FLAT WASHER	-
23	8	0183807 - LICANSE PLATE PLASTIC SCREW	-
24	4	6K-3435 - #6-32 x 0.50" S.S. SCREW	-
25	8	94709A516 - 3/8" S.S. NEOPRENE BACKED FLAT WASHER	-
26	4	71067 - 3/8" S.S. LOCK WASHER	-
27	4	96479 - 3/8-24NF S.S. NUT	-
28	96	0126271 - 1/8" S.S. POP RIVET	-
29	8	T502HNDL - BLACK GRAB HANDLE	-
30	8	54D149 - GRAB HANDLE GASKET	-
31	63	345-8531 - 3/8-16NCX1 WHIZLOCK BOLT	-
32	66	198-2970 - 3/8-16NC WHIZLOCK NUT	-
33	4	3P-9554 - RUBBER DOOR ROD KEEP GROMMET	-
34	6	FT207 - 3/4" WHITE NYLON HOLE PLUG	-
35	205 in	STICKERTITE - 3/4"Wx1/8"THK BLK SELF ADHESIVE NEOPREME FOAM GSKT	-
36	51	149-2148 - 1/4-20NCX1.00 S.S. BOLT	-
37	5	53C276 - ROOF FOAM SUPPURT	-
38	2	69908 - 3/4" BRASS HEX PLUG	-
39	2	10412-18229 - 3/4" BRASS PIPE ADAPTER	-
40	4	53C246 - STRAP-EXHAUST DUCT	4
41	1	ECHA243 - 3.00" OZ BUSHING - FEMALE END	-
42	1	ECHA13123 - 3.00" OZ BUSHING - MALE END	-
43	2	91465K24 - BARBED FITTING 3/4" PIPE TO 5/8" HOSE	-
44	5	9R-8537 - DOOR KEEP SOCKET	-
45	5	9R-8538 - DOOR KEEP PLUNGER	-
46	7	T114R - RED MARKER LIGHT	-
47	4	T114A - AMBER MARKER LIGHT	-
48	1	4V-9908 - EXTERIOR EMERGENCY STOP BUTTON ASSEMBLY	-
49	72 in	AS-990 - WINDOW GROMMET	-
50	40 in	1120A213 - BLACK DOOR GASKETING	-
51	2	54C248 - FLAP - LOAD DOOR	1
52	8	0184617 - LICENSE PLATE PLASTIC NUT	-
53	5	8T-4971 - M6-30x2.00 S.S. METRIC BOLT	-
54	1	53C275 - CONTROL WINDOW	4
55	5	033-8755 - 1/4-20NCX1.00 S.S. PHILLIPS TRUSS HEAD SCREW	-
56	1	53A217 - LOAD DOOR MOUNTING GROUP	27
57	1	STDP-ROD - EMERGENCY STOP ROD	-
58	85 ft	D-2685 - WHITE 3/8"W SELF ADHESIVE DOOR GASKETING	-
59	1	MBC19 - BATTERY CHARGER	-
60	4	5S-7349 - 1/4-20NCX.50 S.S. BOLT	-
61	4	104-6564 - SHOCK MOUNTS	-
62	5	5C-2890 - M6-30 S.S. NUT	-
63	54.5 in	8451A63 - TRIM LOCK	-
64	1	52C176 - CATCH BATTERY DOOR	1
65	30	109-0147 - 1/4-20NC SELF TAPPING SCREWS	-
66	2	70003 - 1/4-20NCX.75 S.S. BOLT	-
67	1	114-8821 - BATTERY SWITCH ON/OFF LABEL	-
68	1	7N0718 - BATTERY SWITCH ASSEMBLY	-
69	2	ECHA1114 - 1.25" OZ BUSHING - MALE END	-
70	2	ECHA24114 - 1.25" OZ BUSHING - FEMALE END	-
71	2	53C277 - RUBBER DUCTING - TOP & SIDE	-
72	1	52E206-01 - ENCLOSURE WIRE HARNESS ASSEMBLY	72
73	2	53C278 - RUBBER DUCTING - BOTTOM	-
74	1	ECHA12 - 2.00" OZ BUSHING - MALE END	-
75	1	ECHA242 - 2.00" OZ BUSHING - FEMALE END	-
76	1	2296868 - RADIATOR COVER	-
77	1	53D250 - SOUND FOAM RETENTION GROUP	-
78	8	6V-8185 - NUT-1/4"-20	-
79	4	33166 - WASHER-NEOPRENE 5/16"SS - SMALL OD	-
80	1	5W-3062 - BOLT-HEX 3/8"-16 X 3/4"	-
81	1	8T-4896 - WASHER-FLAT 3/8" SD	-
TOTAL WEIGHT			2,845 lbs.

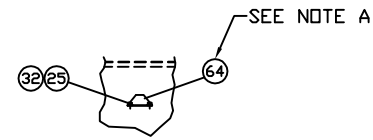
DATE 08/06/16	DRAWN BY RYAN	<b>ALTORFER</b>		<b>ALTORFER POWER SYSTEMS</b>		
		6315 W. FAUBER RD. BARTONVILLE, IL 61807		PHONE (309) 697-1234 FAX (309) 282-7546		
THIS DOCUMENT CONTAINS PROPRIETARY INFORMATION OF ALTORFER, INC. WITHOUT THE WRITTEN PERMISSION OF ALTORFER, INC., ANY COPYING OR OTHER USE EXCEPT THAT FOR WHICH IT WAS INTENDED IS PROHIBITED.						
HARDWARE CHGS PER RYAN	CHANGE NOTICE	ALL DIMENSIONS IN INCHES UNLESS OTHERWISE SPECIFIED	FILE	PROJECT REFERENCE		
		TOLERANCES: XX ± 0.100 ANGLE X.XX ± 0.060 X.XXX ± 0.005	THIRD ANGLE PROJECTION	DF/53A	XQ230RM RENTAL PACKAGE	
		ANGULAR ± 1°	SCALE/SHEET SIZE 1=20/D	DRAWN BY D. ROLLING	QUOTE NUMBER	WORK ORDER NUMBER
		TITLE	SHEET 1 OF 2	DATE 05/09/2015	DRAWING NUMBER	
1	NE	XQ230RM DUAL VOLTAGE STD ENCLOSURE GROUP			53A420-01	



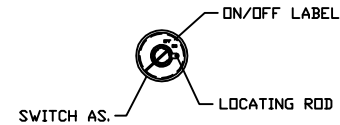
VIEW C-C  
TOP 4 PLACES



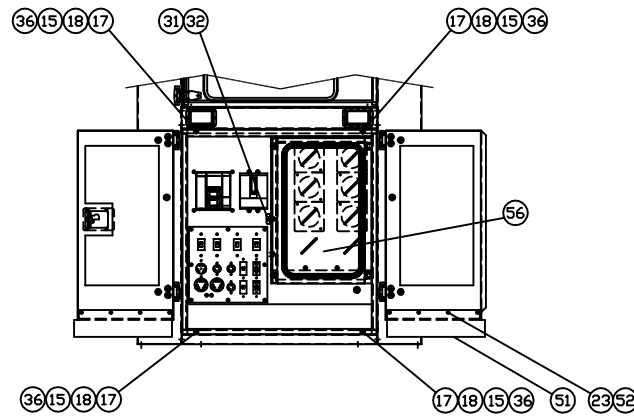
TOP VIEW  
SHOWN WITH TOP COVER REMOVED



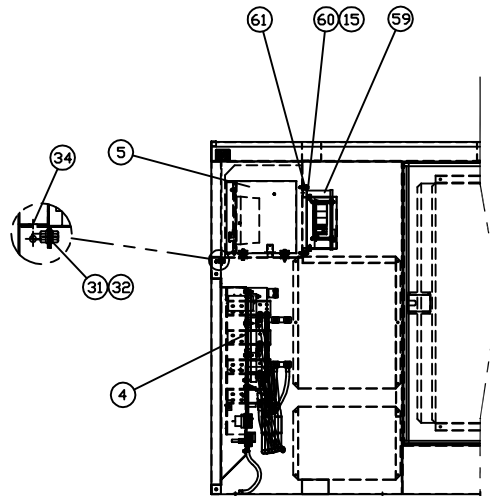
DETAIL B



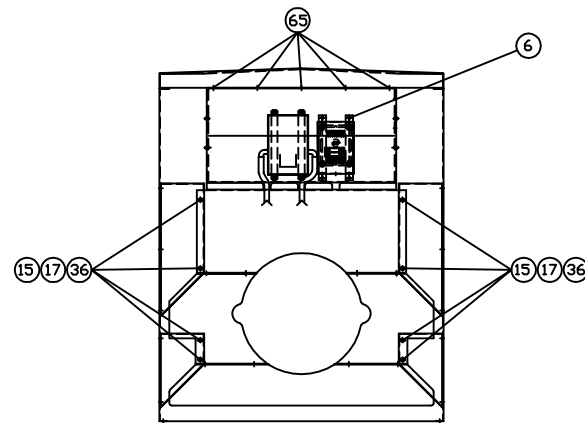
DETAIL F



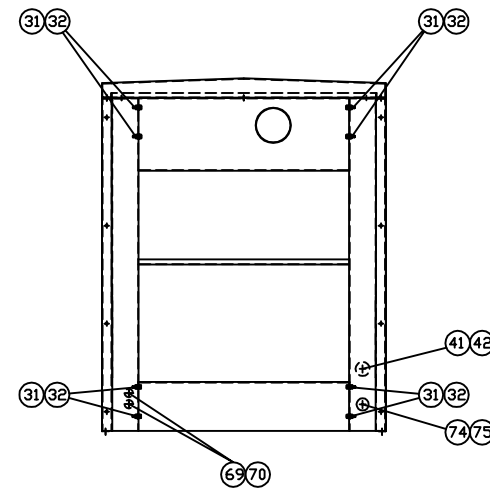
REAR VIEW  
WITH DOOR OPEN



VIEW A-A



VIEW D-D



VIEW E-E

DATE 08/26/16	DRAWN BY RYAN	<b>ALTORFER</b>		<b>ALTORFER POWER SYSTEMS</b>	
		6315 W. FAUBER RD. BARTONVILLE, IL 61807		PHONE (309) 697-1234 FAX (309) 282-7546	
THIS DOCUMENT CONTAINS PROPRIETARY INFORMATION OF ALTORFER, INC. WITHOUT THE WRITTEN PERMISSION OF ALTORFER, INC., ANY COPYING OR OTHER USE EXCEPT THAT FOR WHICH IT WAS INTENDED IS PROHIBITED					
CHANGE NOTICE	HARDWARE CHGS PER RYAN	ALL DIMENSIONS IN INCHES UNLESS OTHERWISE SPECIFIED	FILE DF/53A	PROJECT REFERENCE XQ230RM RENTAL PACKAGE	
		TOLERANCES: XX ± 0.100 ANGLE X.XX ± 0.060 THIRD PROJECTION X.XXX ± 0.005	SCALE/SHEET SIZE 1=20/D	DRAWN BY D. ROLLING	QUOTE NUMBER
		ANGULAR ± 1°	SHEET 2 OF 2	DATE 05/30/2015	WORK ORDER NUMBER
		TITLE XQ230RM DUAL VOLTAGE STD ENCLOSURE GROUP			DRAWING NUMBER 53A420B-01