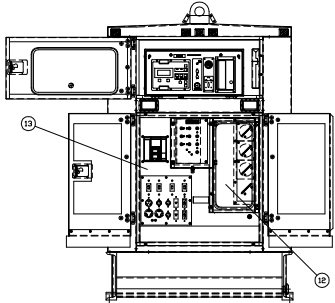
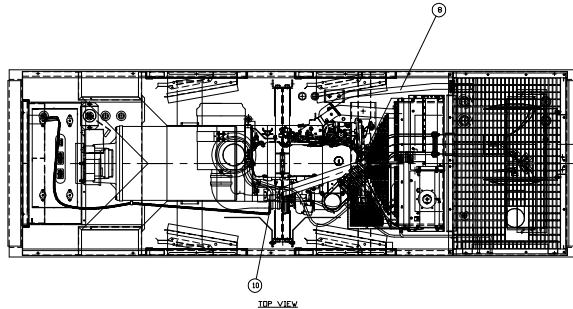


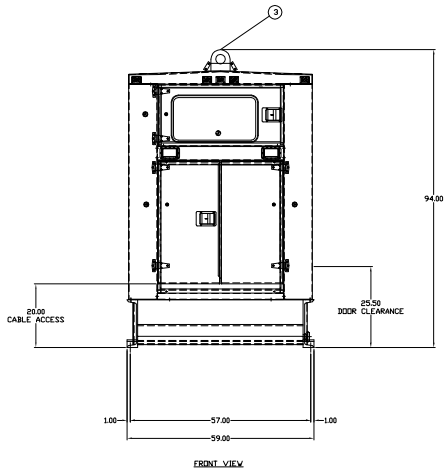
INCH 53A400



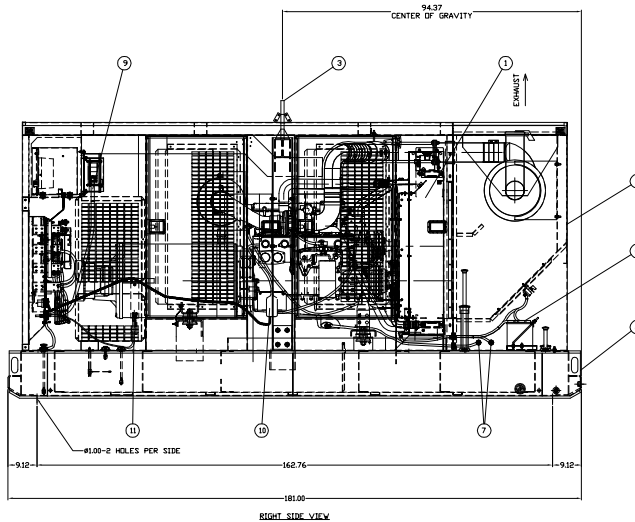
FRONT VIEW W/DOORS OPEN



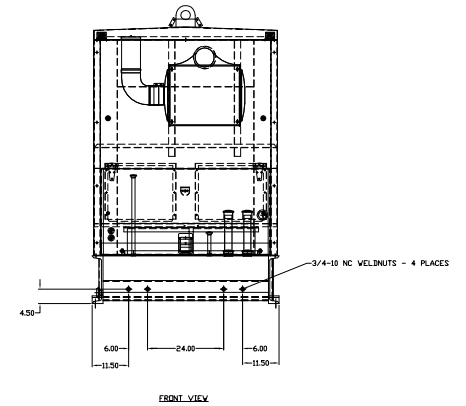
TOP VIEW



FRONT VIEW



RIGHT SIDE VIEW



FRONT VIEW

ITEM	QTY.	PART NO.	DESCRIPTION
1	1	101-2845	BULK COOLANT
2	1	53A218	BASE MOUNTING GROUP
3	1	53A219	LIFT ARCH. MOUNTING GROUP
4	1	53A313	XQ300 DUAL VOLTAGE STANDARD ENCLOSURE GROUP
5	1	53A220	ENCLOSURE MOUNTING GROUP
6	1	53A223	STARTING BATTERY GROUP
7	1	53A222	OIL AND COOLANT DRAINS GROUP
8	1	53A224	ENGINE FUMES DISPOSAL GROUP
9	1	53A226	BATTERY CHARGER WIRING GROUP
10	1	53A225	JACKET WATER HEATER WIRING GROUP
11	1	53A227	SPACE HEATER WIRING GROUP
12	1	53A316	LOAD DOOR MOUNTING GROUP
13	1	53A408	AFS300 DUAL VOLTAGE LOAD PAN GROUP

PACKAGE WEIGHTS:
 GENERATOR SET PACKAGE WITHOUT FUEL = 10,980 lbs.
 GENERATOR SET PACKAGE WITH FUEL = 13,840 lbs.

DATE BY CHANGE NOTICE				ALTORFER POWER SYSTEMS 6315 W. FAUBER RD. PHONE (309) 697-1234 BARTONVILLE, IL 61607 FAX (309) 282-7546	
				THIS DOCUMENT CONTAINS PROPRIETARY INFORMATION OF ALTORFER, INC. WITHOUT THE WRITTEN PERMISSION OF ALTORFER, INC. ANY COPYING OR OTHER USE EXCEPT THAT FOR WHICH IT WAS INTENDED IS PROHIBITED.	
ALL DIMENSIONS IN INCHES UNLESS OTHERWISE SPECIFIED		FILE DF/53A	SCALE/SHEET SIZE 1=20/D	DRAWN BY BML	QUOTE NUMBER -
TOLERANCES: XX ± 0.01 XXX ± 0.005 XXXX ± 0.005		THIRD ANGLE PROJECTION	SHEET 1 OF 1	DATE 07-21-08	WORK ORDER NUMBER -
ANGULAR ± 1°		TITLE AFS300 DUAL VOLTAGE STANDARD ARRANGEMENT		DRAWING NUMBER 53A400	