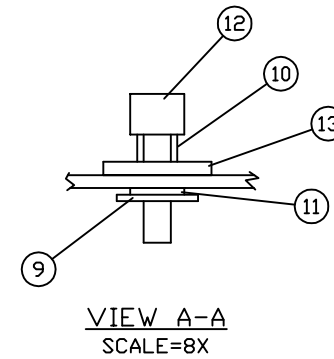
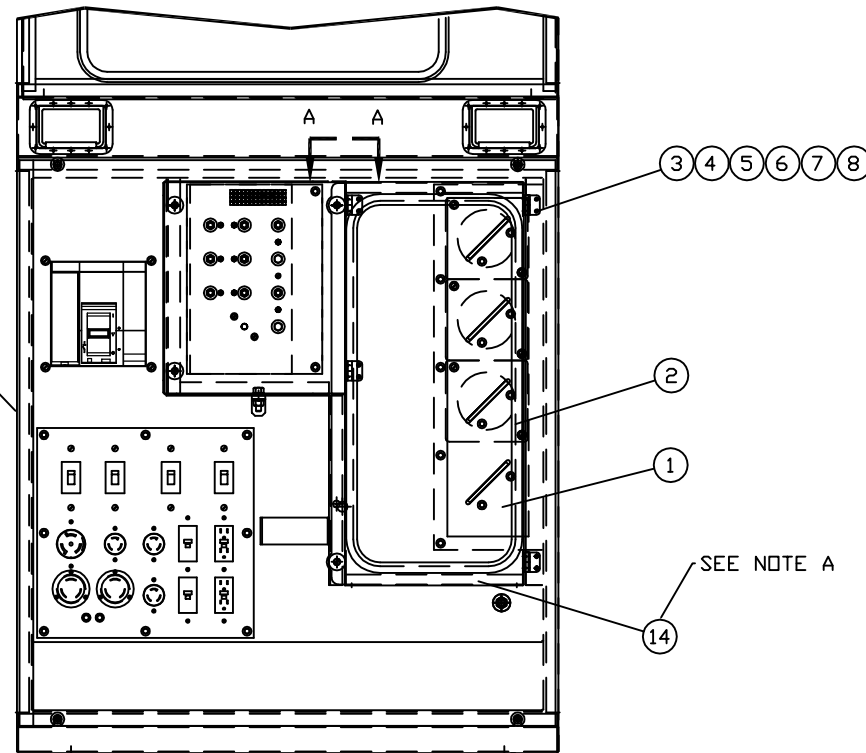


INCH 53A316-1

ITEM	QTY.	PART NO.	DESCRIPTION	WEIGHT
1	1	54C247	LOAD COVER WINDOW	4
2	1	AS-990	WINDOW GROMMET- 70" Lg.	1
3	16	33614	#10 LOCK WASHER	1
4	16	36028	#10-24 NUT	-
5	16	33074	#10 FLAT WASHER	-
6	16	6V-7978	#10-24x.75 TAPPED HEAD SCREW	-
7	4	SSHINGE	HINGE	1
8	8	54D148	HINGE - LOAD GASKET	-
9	4	90102A030	SPLIT RETAINING PIN	-
10	4	9435K5	SPRING	-
11	4	95630A445	TEFLON FLAT WASHER	-
12	4	91035A625	THUMB SCREW	-
13	4	317-5700	1/4" NEOPREME BACKED FLAT WASHER	-
14	1	53C307-01	LOAD COVER DOOR ASSEMBLY	20
TOTAL				27

REF. 53A313 DUAL VOLTAGE ENCL. GP.  
 53A315 CSA SINGLE VOLTAGE ENCL. GP.  
 53A314 CSA DUAL VOLTAGE ENCL. GP.



NOTE A: 53C307-01 - LOAD COVER DOOR ASS. RECIEVED  
 IN 53C300 - ENCLOSURE PARTS GP.

06/28/13 BML DATE BY	<b>ALTORFER</b>		<b>ALTORFER POWER SYSTEMS</b>	
			6315 W. FAUBER RD. BARTONVILLE, IL 61607	PHONE (309) 697-1234 FAX (309) 282-7546
EXPORT UPDATE CHANGE NOTICE	THIS DOCUMENT CONTAINS PROPRIETARY INFORMATION OF ALTORFER, INC. WITHOUT THE WRITTEN PERMISSION OF ALTORFER, INC., ANY COPYING OR OTHER USE EXCEPT THAT FOR WHICH IT WAS INTENDED IS PROHIBITED			
	ALL DIMENSIONS IN INCHES UNLESS OTHERWISE SPECIFIED		FILE DF/53A	PROJECT REFERENCE XQ300/APS300 RENTAL PACKAGE
	TOLERANCES: X.X ± 0.100 X.XX ± 0.060 X.XXX ± 0.005	THIRD ANGLE PROJECTION	SCALE/SHEET SIZE 1=10/C SHEET 1 OF 1	DRAWN BY BML DATE 07-21-08
	ANGULAR ± 1°			QUOTE NUMBER - WORK ORDER NUMBER -
2	1	NO.	TITLE XQ300/APS300 LOAD DOOR MOUNTING GROUP	
			DRAWING NUMBER 53A316-1	