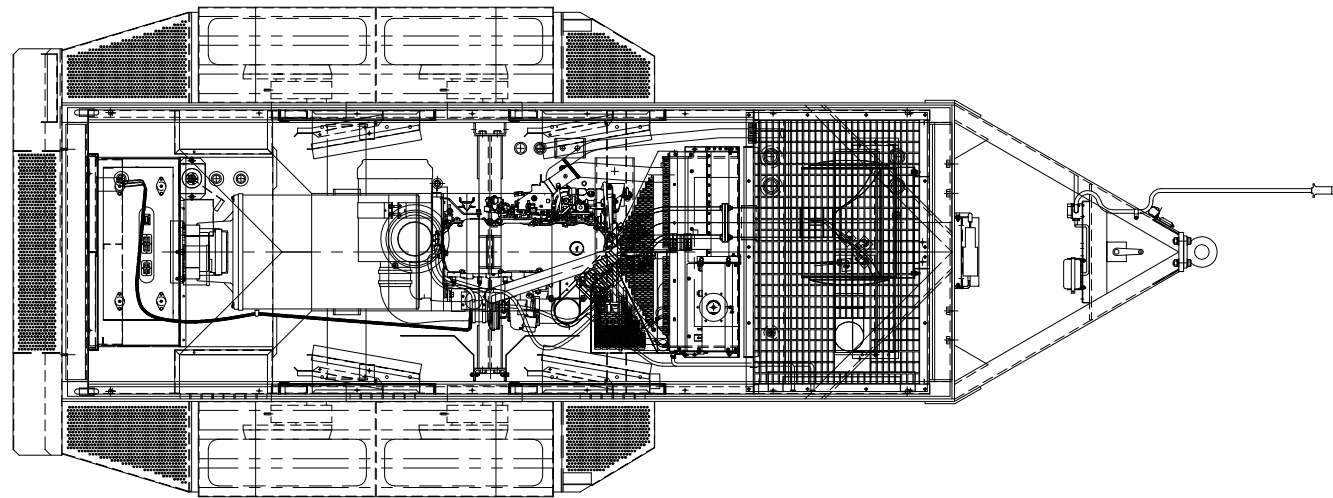
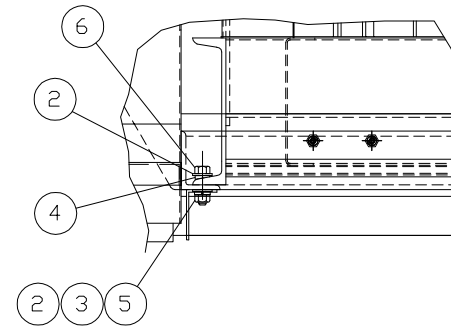


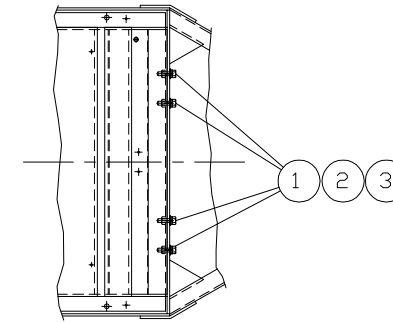
ITEM	QTY.	DESCRIPTION
1	4	1A-8063 - 3/4"-10NCx2.50 BOLT
2	12	8T-4994 - 3/4" FLAT WASHER
3	8	3B-4512 - 3/4" LOCK WASHER
4	4	33336 - 3/4" BEVELED WASHER
5	4	6V-8182 - 3/4"-10NC NUT
6	4	9X-8887 - 3/4"-10NCx3.00 BOLT



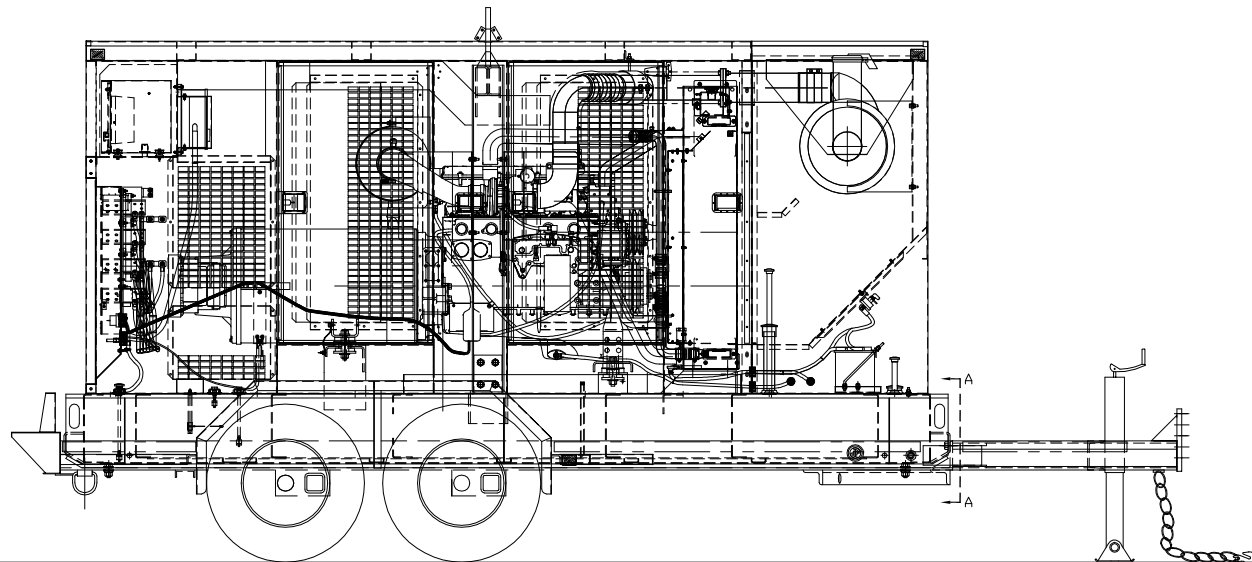
TOP VIEW



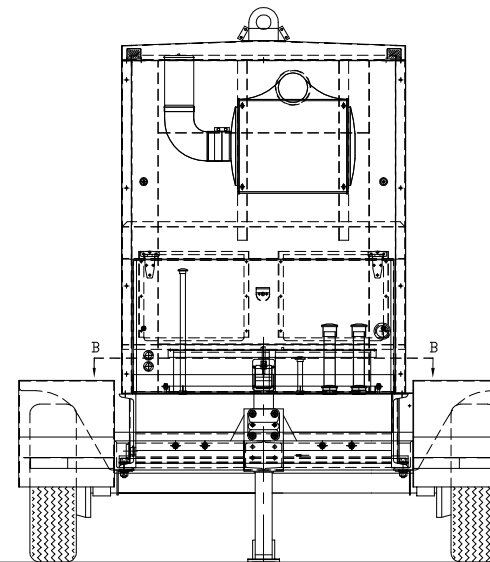
VIEW A-A
SCALE=2X



VIEW B-B



RIGHT SIDE VIEW



FRONT VIEW

NOTE: THREAD THE ENCLOSURE CLEARANCE LIGHT HARNESS ON THE TRAILER THRU THE FUEL BASE RACEWAY TUBE NEXT TO THE BATTERY GROUP. THEN CONNECT TO THE ENCLOSURE CLEARANCE LIGHT HARNESS COMING DOWN THRU THE EXHAUST DUCT ASSEMBLY.

06/03/13 DATE BY	ALTORFER		ALTORFER POWER SYSTEMS	
	6315 W. FAUBER RD. BARTONVILLE, IL 61607		PHONE (309) 697-1234 FAX (309) 282-7546	
EXP/UPD/CHG DATE BY	ALL DIMENSIONS IN INCHES UNLESS OTHERWISE SPECIFIED		FILE DF/53A	PROJECT REFERENCE XQ230/300 APS230/300 RENTAL PACKAGE
	TOLERANCES: XX ± 0.100 X.XX ± 0.060 X.XXX ± 0.005	THIRD ANGLE PROJECTION	SCALE/SHEET SIZE 1=20/D	DRAWN BY BML
NO.	ANGULAR ± 1°	1 OF 1	DATE 07-14-08	QUOTE NUMBER -
	TITLE XQ230/300 TRAILER MOUNTING GROUP		WORK ORDER NUMBER -	DRAWING NUMBER 53A230-1