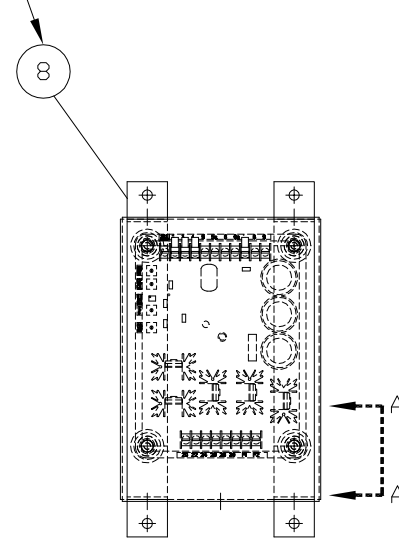


INCH 53A228-2

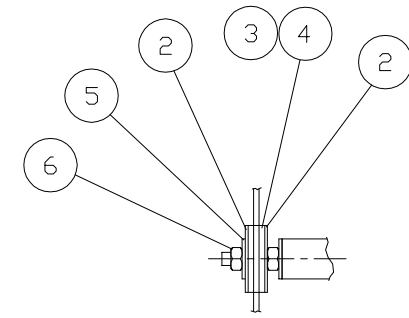
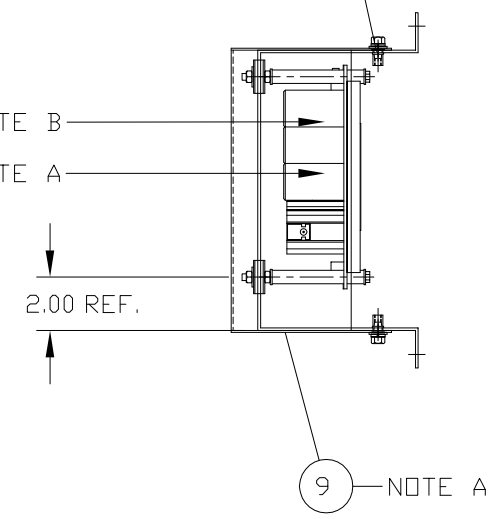
COMP	QTY	DESCRIPTION	WEIGHT
1	4	5P-9960 - 1/4"-20NCx0.75" BOLT	1
2	8	193-5156 - 1/4" FENDER WASHER	1
3	4	7C5708 - GROMMET	-
4	4	7C5709 - SLEEVE	-
5	8	33004 - 1/4" FLAT WASHER	-
6	4	36302 - 1/4"-20NC NUT	-
7	4	3B-4504 - 1/4" LOCK WASHER	-
8	1	52C167-1 - VOLTAGE REG. BRACKET	2
9	1	52C168 - VR6 REG. CVR	8
10	1	327-2274 - VR6 REG.	
TOTAL			12

SEE NOTE A



1 5 7

SEE NOTE B  
SEE NOTE A



VIEW A-A  
SCALE=2X

NOTE A: 52C167-1 - VOLT. REG. BRACKET & 52C168 - VR6 REG COVER RECEIVED IN 54C200 - ENCLOSURE PARTS GP.  
NOTE B: VOLTAGE REGULATOR 327-2274 SUPPLIED BY CATERPILLAR, INC

06/21/13 BML	DATE	<b>ALTORFER</b>	<b>ALTORFER POWER SYSTEMS</b>				
06/12/08 BML	BY		6315 W. FAUBER RD. BARTONVILLE, IL 61607	PHONE (309) 697-1234 FAX (309) 282-7546			
EXPORT UPDATE	UP-DATE REG	CHANGE NOTICE	THIS DOCUMENT CONTAINS PROPRIETARY INFORMATION OF ALTORFER, INC. WITHOUT THE WRITTEN PERMISSION OF ALTORFER, INC., ANY COPYING OR OTHER USE EXCEPT THAT FOR WHICH IT WAS INTENDED IS PROHIBITED				
			ALL DIMENSIONS IN INCHES UNLESS OTHERWISE SPECIFIED	FILE DF/53A	PROJECT REFERENCE XQ/APS RENTAL PACKAGE		
			TOLERANCES: X.X ± 0.100 X.XX ± 0.060 X.XXX ± 0.005	THIRD ANGLE PROJECTION	SCALE/SHEET SIZE 1=10/A	DRAWN BY BML	QUOTE NUMBER
			ANGULAR ± 1°		SHEET 1 OF 1	DATE 04-10-2008	WORK ORDER NUMBER
2	1	ND.	TITLE VR6 REGULATOR MOUNTING GROUP				
				DRAWING NUMBER 53A228-2			