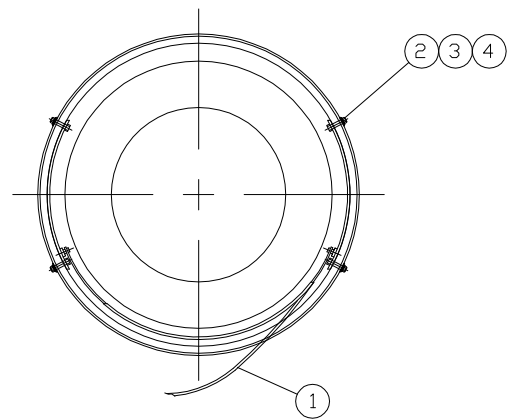
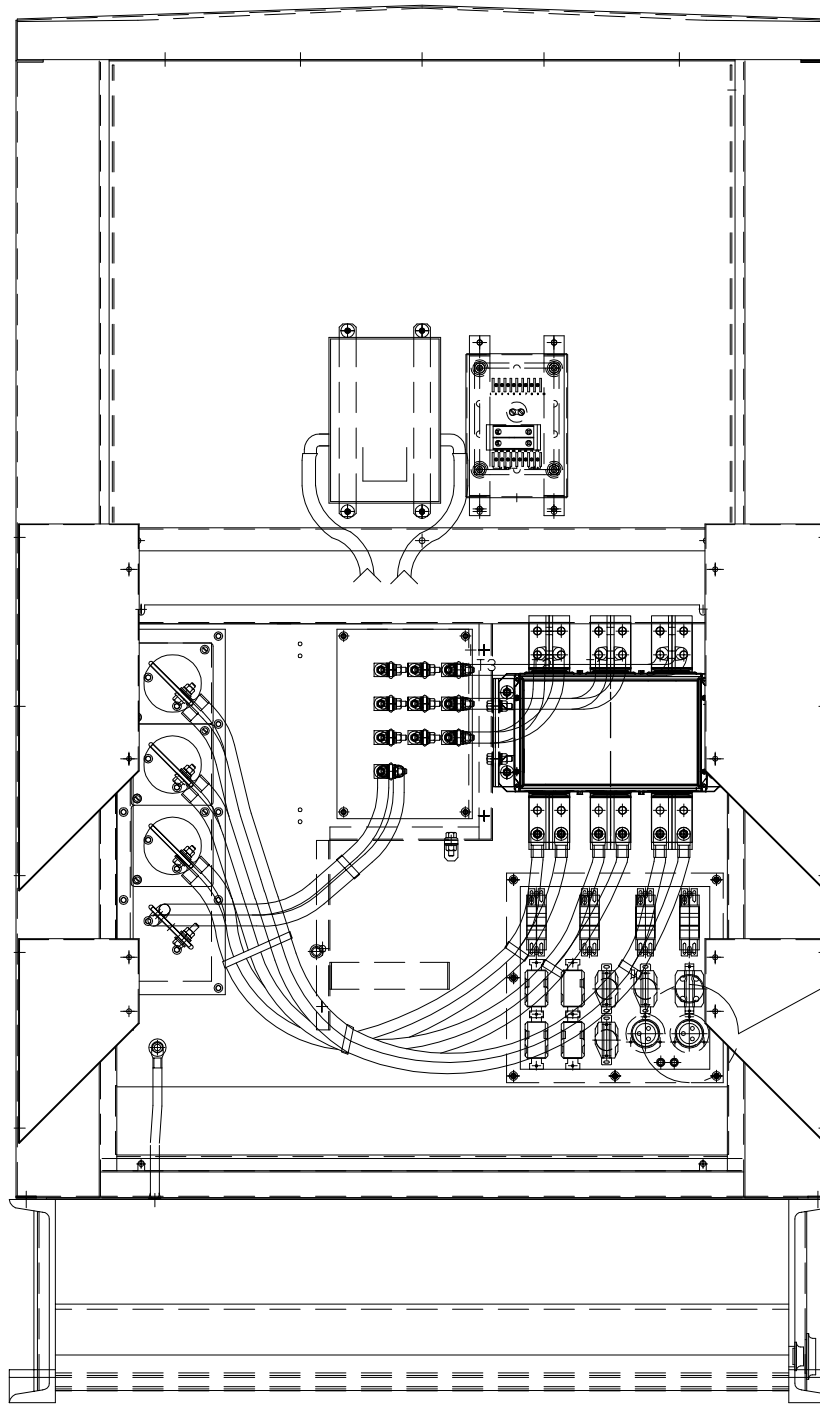
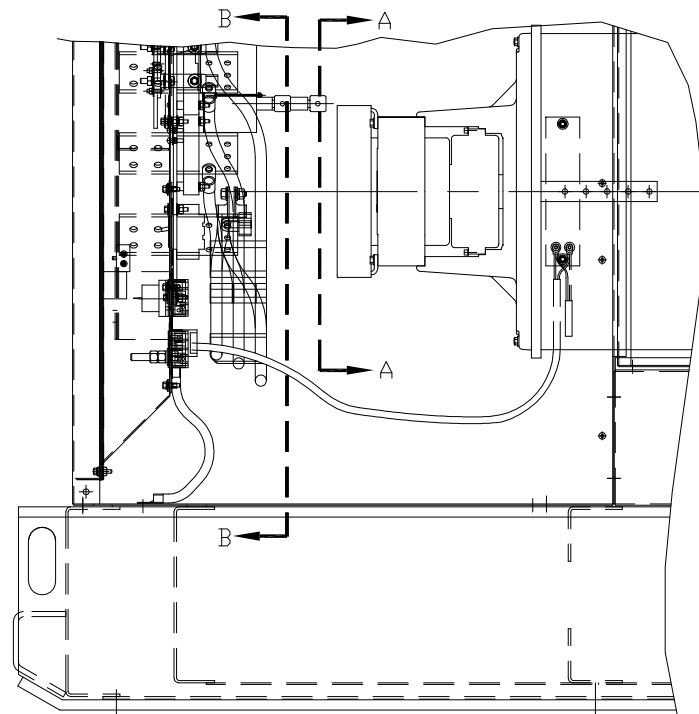


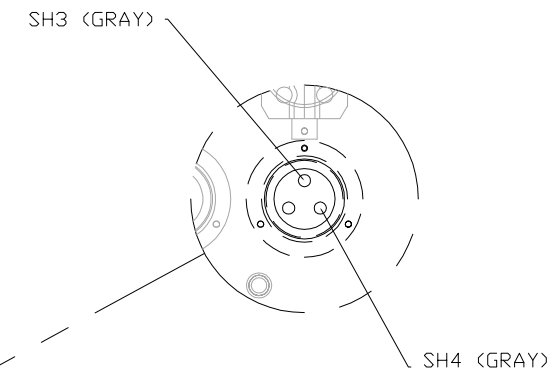
ITEM	QTY.	PART NO.	DESCRIPTION	WEIGHT
1	1	52E208	S.H. WRG HRNS	1
2	1	4M-6425	5/16"-18x1.0 BOLT	
3	1	8T-4224	5/16" FLAT WASHER	
4	1	1133781	5/16" LOCK WASHER	
TOTAL				1



VIEW A-A



VIEW B-B



NOTE A: SPACE HEATERS (4P3829) RECEIVED WITH GENERATOR ARRANGEMENT FROM LEROY SOMER
 NOTE B: TIE WRAP HARNESS TO MAIN LOAD CABLES AS NEEDED

06/21/13 BML DATE	DATE BY	ALTORFER		ALTORFER POWER SYSTEMS		
				6315 W. FAUBER RD. PHONE (309) 697-1234 BARTONVILLE, IL 61607 FAX (309) 282-7546		
EXPORT UPDATE	CHANGE NOTICE	THIS DOCUMENT CONTAINS PROPRIETARY INFORMATION OF ALTORFER, INC. WITHOUT THE WRITTEN PERMISSION OF ALTORFER, INC., ANY COPYING OR OTHER USE EXCEPT THAT FOR WHICH IT WAS INTENDED IS PROHIBITED				
		ALL DIMENSIONS IN INCHES UNLESS OTHERWISE SPECIFIED	FILE DF/53A	PROJECT REFERENCE XQ/APS RENTAL PACKAGE		
		TOLERANCES: X.X ± 0.100 X.XX ± 0.060 X.XXX ± 0.005	THIRD ANGLE PROJECTION	SCALE/SHEET SIZE 1=10/C	DRAWN BY BML	QUOTE NUMBER
		ANGULAR ± 1°		SHEET 1 OF 1	DATE 04-10-2008	WORK ORDER NUMBER
2	1	NO.	TITLE GENERATOR SPACE HEATER WIRING GROUP		DRAWING NUMBER 53A227-1	