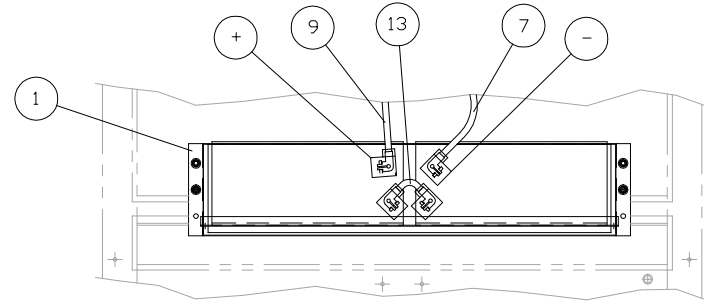
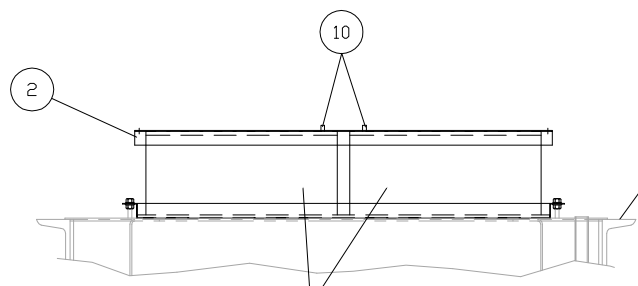


COMP	QTY	DESCRIPTION	WEIGHT
1	1	54E132 - BATTERY BASE	13
2	1	52C173 - BATTERY TIE DOWN	4
3	12	198-2970 - 3/8"-16 WHIZLOCK NUT	-
4	2	8T-4896 - 3/8" FLAT WASHER	-
5	2	6V-8801 - 3/8-16NC NUT	-
6	1	BB12 - BATTERY BOARD (1/2")	3
7	1	54E133 - BN1 CABLE ASSEMBLY	1
8	1	53E207 - BN2 CABLE ASSEMBLY	6
9	1	53E206 - BP1 CABLE ASSEMBLY	7
10	2	9X9730 - 8D 24 V BATTERY	80
11	9	PLT4S-M - WHITE CABLE TIE	-
12	2	HRACK ROD - 3/8" THREADED ROD 14" Lg.	-
13	1	54E135 - B01 CABLE ASSEMBLY	1
14	2	345-8531 - 3/8-16NCx1 WHIZLOCK BOLT	-
15	1	0708814 - 1-1/2" VINYL CLAMP	-
16	1	5N-8359 - 1" WIRE LOOM	-
17	1	0708778 - 3/4" VINYL CLAMP	-
18	4	74970 - WASHER-BRONZE 3/8"	-
TOTAL			115



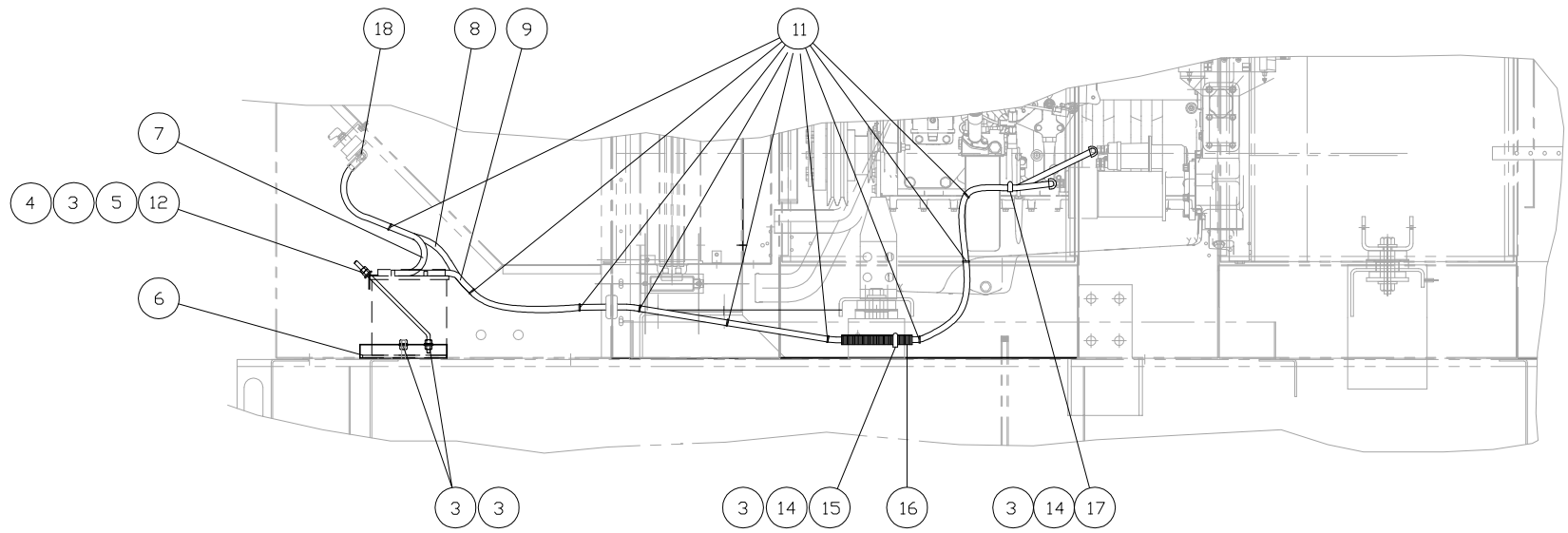
TOP VIEW



FRONT VIEW

REF. 53A218  
BASE MOUNTING GP.

NOTE: CAT 9X9730 BATTERIES SUPPLIED  
BY CATERPILLAR QTY. 2



XQ230/300 RENTAL PACKAGE-LEFT SIDE

08/03/15 BML	06/20/13 BML	DATE BY	<b>ALTORFER</b>		<b>ALTORFER POWER SYSTEMS</b> 6315 W. FAUBER RD.      PHONE (309) 697-1234 BARTONVILLE, IL 61607      FAX (309) 282-7546	
ADDED ITEM 18 EXPORT UPDATE CHANGE NOTICE	THIS DOCUMENT CONTAINS PROPRIETARY INFORMATION OF ALTORFER, INC. WITHOUT THE WRITTEN PERMISSION OF ALTORFER, INC., ANY COPYING OR OTHER USE EXCEPT THAT FOR WHICH IT WAS INTENDED IS PROHIBITED					
	ALL DIMENSIONS IN INCHES UNLESS OTHERWISE SPECIFIED		FILE DF/53A	PROJECT REFERENCE XQ230/300 APS230/300 RENTAL PACKAGE		
	TOLERANCES: X.X ± 0.100 X.XX ± 0.060 X.XXX ± 0.005	THIRD ANGLE PROJECTION	SCALE/SHEET SIZE 1=10/D	DRAWN BY BML		QUOTE NUMBER
	ANGULAR ± 1°		SHEET 1 OF 1	DATE 06/13/08	WORK ORDER NUMBER	
2	1	NO.	TITLE XQ230/300 APS230/300 STARTING BATTERY MOUNTING GROUP			DRAWING NUMBER 53A223-2