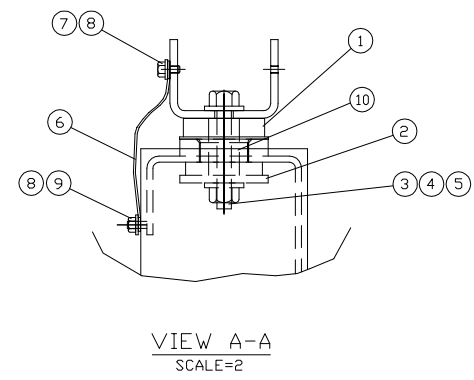
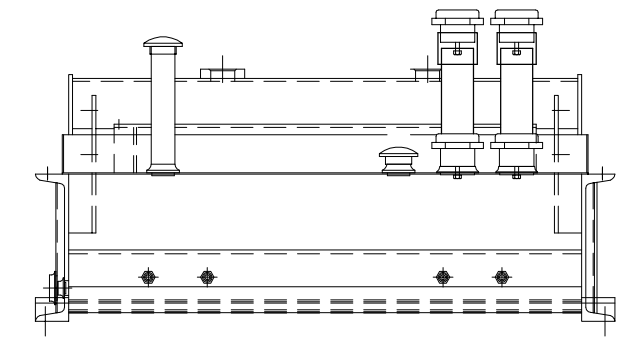
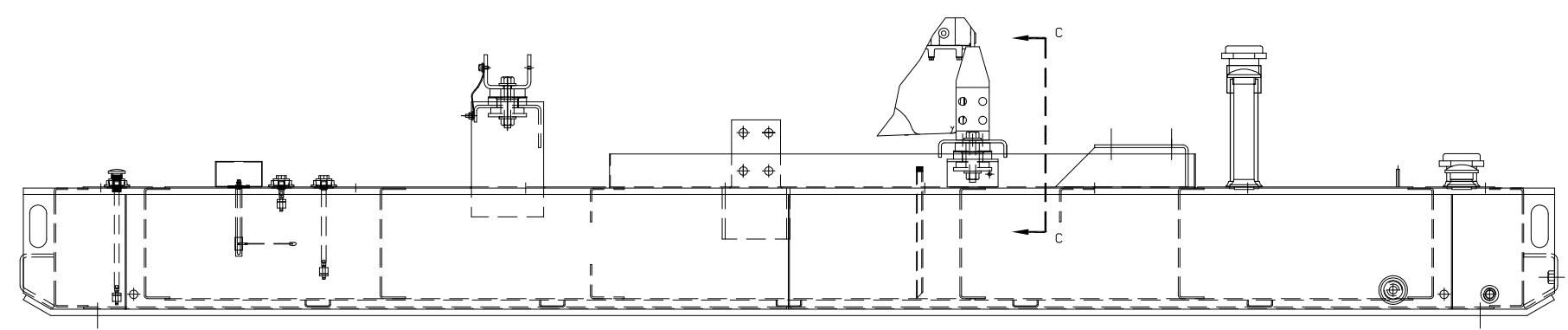
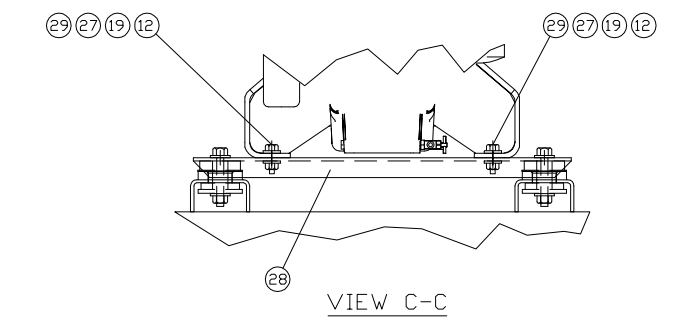
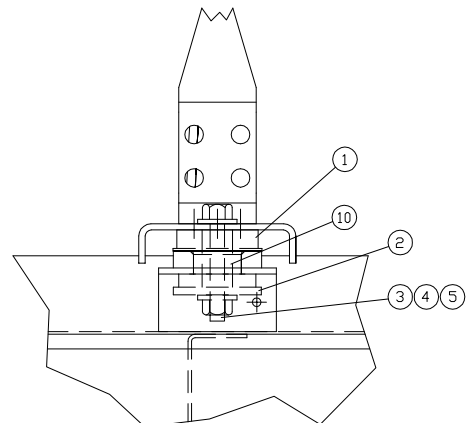


ITEM	QTY.	DESCRIPTION	WEIGHT
1	4	9W-9930 - MOUNT ASSEMBLY	2
2	4	9W-6584 - WASHER	-
3	4	7X-0375 - BOLT 3/4"-10x5"	1
4	8	8T-4994 - FLAT WASHER 3/4"	-
5	4	6V-8182 - NUT 3/4"-10	-
6	1	034-3665 - STRAP	1
7	1	9B-7237 - BOLT 3/8"-16	-
8	4	8T-4896 - FLAT WASHER 3/8"	-
9	2	6V-8801 - NUT 3/8"-16	-
10	4	9W-6582 - SLEEVE	1
11	1	PNPL2C - 2.00" NPT CLOSE NIPPLE	-
12	4	7X-0448 - NUT 5/8"-11	-
13	1	53B200 - XQ230/300 BASE ASSEMBLY	2,969
14	2	198-2970 - 3/8-16NC WHIZLOCK NUT	-
15	1	52E103 - HIGH FUEL LEVEL SWITCH	1
16	1	51E102 - RUPTURE RASIN SWITCH	2
17	1	51E101 - LOW FUEL LEVEL SWITCH	1
18	1	54E115 - FUEL LEVEL SENDER	2
19	4	3B-4510 - LOCK WASHER 5/8"	1
20	1	F8680L12 - 12" SIGHT LEVEL GAUGE	-
21	4	367-03-30HF - 3" NPT FUEL EMERGENCY TANK VENT	2
22	2	FTV02 - 2" NPT FUEL TANK VENT	1
23	2	PNPL312 - 3" NPT x 12" NIPPLE	15
24	2	PP3C - 3" NPT COUPLING	4
25	1	PNPL212 - 2" NPT x 12" NIPPLE	1
26	1	52C174 - FLG. SWITCH BOX	3
27	8	8T-4122 - FLAT WASHER 5/8"	1
28	1	53B225 - ENGINE MOUNT	37
29	4	7X-0347 - BOLT 5/8"-11x1.25"	3
TOTAL			3,048



VIEW A-A
SCALE=2



VIEW B-B
SCALE=2

05/06/15 BML	06/20/13 BML	06/20/13 BML	03/03/10 BML	DATE	BY	ALTORFER	ALTORFER POWER SYSTEMS			
6315 W. FAUBER RD. PHONE (309) 697-1234 BARTONVILLE, IL 61607 FAX (309) 282-7546										
4	REMOVED 52E101, PPP34, PPC2, PPP2	24, 25	ADDED ITEM 33	EXPORT UPDATE	CHANGED EMERG. TANK VENT & FUEL TANK VENT	THIS DOCUMENT CONTAINS PROPRIETARY INFORMATION OF ALTORFER, INC. WITHOUT THE WRITTEN PERMISSION OF ALTORFER, INC., ANY COPYING OR OTHER USE EXCEPT THAT FOR WHICH IT WAS INTENDED IS PROHIBITED	FILE	PROJECT REFERENCE	DATE	QUOTE NUMBER
3	ADDED ITEM 33	24, 25	ADDED ITEM 33	EXPORT UPDATE	CHANGED EMERG. TANK VENT & FUEL TANK VENT	ALL DIMENSIONS IN INCHES UNLESS OTHERWISE SPECIFIED	DF53A	XQ230/300 RENTAL PACKAGE	11/22/04	
2	EXPORT UPDATE	24, 25	ADDED ITEM 33	EXPORT UPDATE	CHANGED EMERG. TANK VENT & FUEL TANK VENT	TOLERANCES: X.X ± 0.100 X.XX ± 0.060 X.XXX ± 0.005	SCALE/SHEET SIZE 1=10/D			
1	CHANGED EMERG. TANK VENT & FUEL TANK VENT	24, 25	ADDED ITEM 33	EXPORT UPDATE	CHANGED EMERG. TANK VENT & FUEL TANK VENT	THIRD ANGLE PROJECTION	SHEET			
NO.	CHANGE NOTICE	24, 25	ADDED ITEM 33	EXPORT UPDATE	CHANGED EMERG. TANK VENT & FUEL TANK VENT	ANGULAR ± 1"	1 OF 1			
TITLE							XQ230/300 FUEL BASE GROUP		DRAWING NUMBER	
									53A218-4	