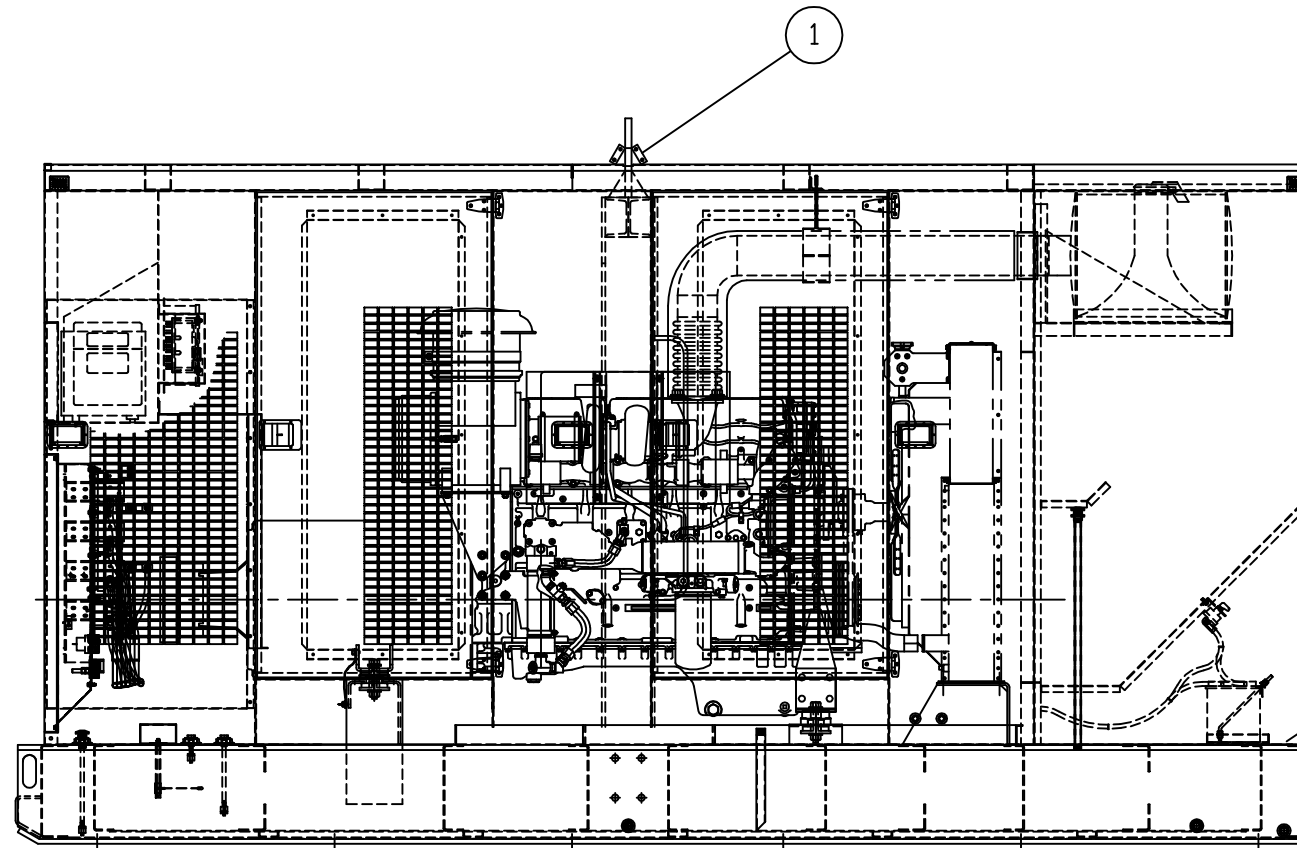


REF. 203-5531
ENG/GEN AR.

TOP VIEW

5 6 7

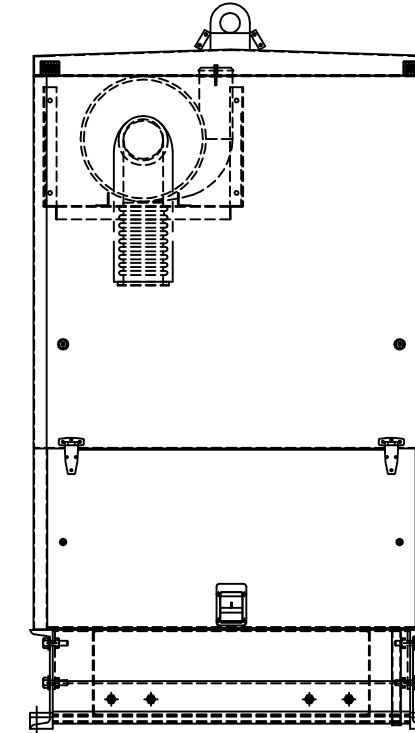


RIGHT SIDE VIEW

REF 53A106 - DUAL VOLTAGE ENCL. GP.
53A115 - CSA SINGLE VOLTAGE ENCL. GP.
53A120 - CSA DUAL VOLTAGE ENCL. GP.

3 4

REF. 54A102
BASE MTG GP.



FRONT VIEW

COMP	QTY	DESCRIPTION	WEIGHT
1	1	51C113 - RAIN SKIRT	1
2	1	8694K74 - 3/16x2 GASKETING	1
3	22	37341 - 3/8-16NC WHZLCK NUT	1
4	36	33008 - 3/8" FLAT WASHER	-
5	1	54C182 - SOUND SHIELD	21
6	2	54C183 - SHIELD BRACKET	3
7	4	19931 - 3/8-16NCx1 WZLCKBLT	-
TOTAL			27

XQ300 ENCLOSURE MOUNTING GROUP



ALTORFER POWER SYSTEMS

#1 CAPITOL DRIVE P.O. BOX 2550 PH. 309-694-1234
EAST PEDRIA, IL. 61611-0550 FAX 309-694-1262



				JOB REF.	
				XQ RENTAL PKG	
				DRN BY	QUOTE NO.
				M. RANTA	
				DATE	W/D NUMBER
				12-20-00	
				SCALE	FILE
				1=20	DF53
NO.	DESCRIPTION OF CHANGE	BY	DATE	DRAWING NO.	
PROPRIETARY INFORMATION UNAUTHORIZED DUPLICATION PROHIBITED				SHEET 1 OF 1	
				53A107	

NOTE: TORQUE LIFT ARCH MOUNTING
BOLTS TO 265 +/- 35 ft Lbs