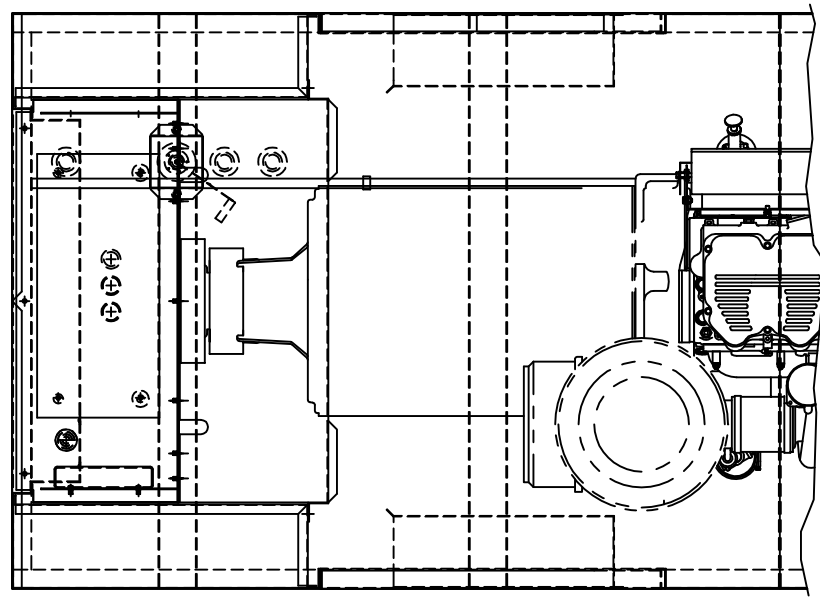
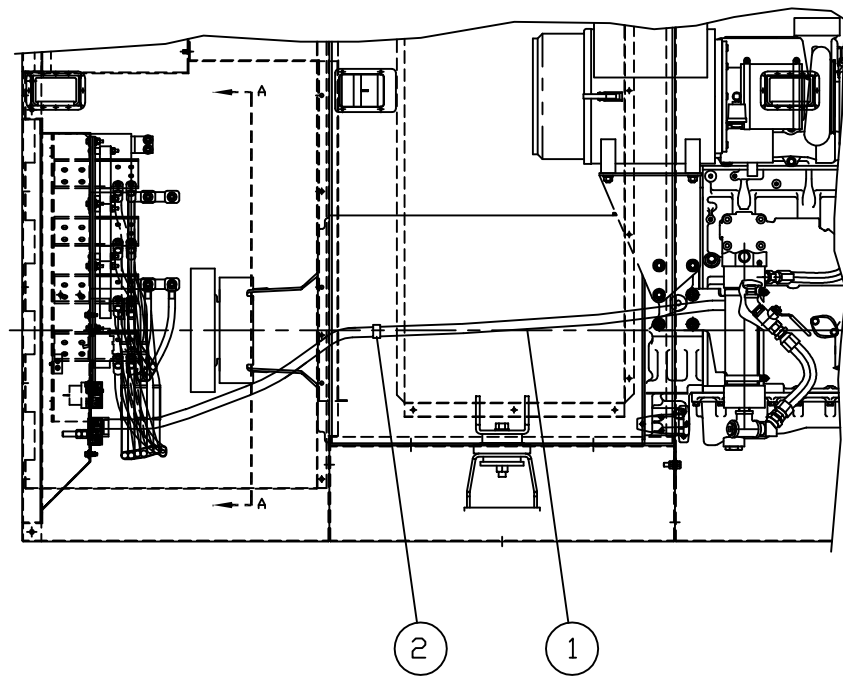


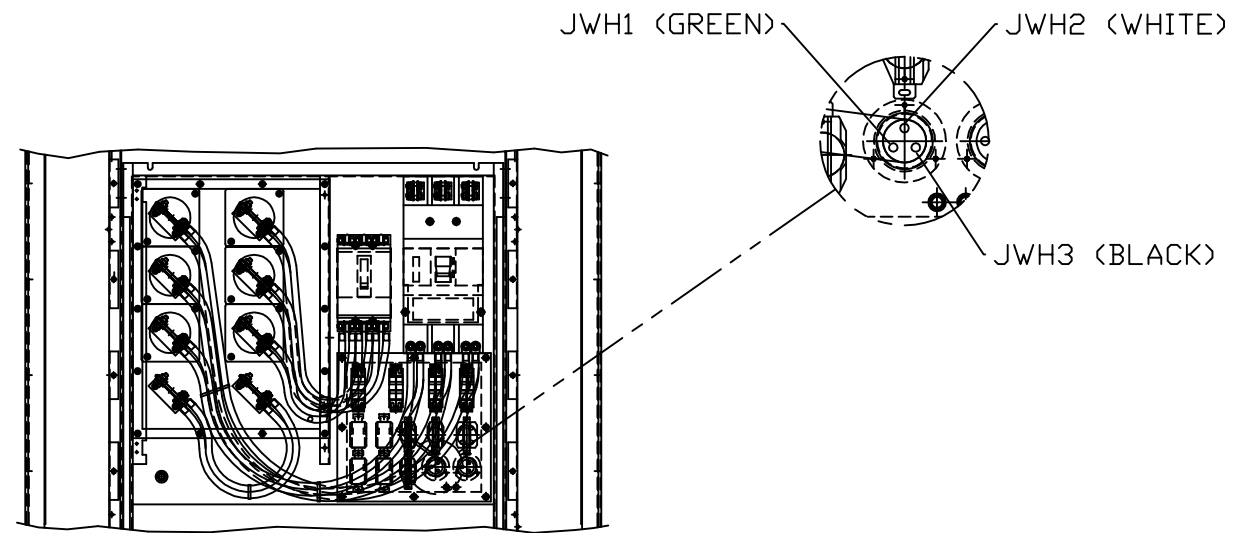
COMP	QTY	DESCRIPTION	WEIGHT
1	1	51E118-1 - J.W.H. WRNG HRNS	1
2	1	F17025 - CLAMP	-
TOTAL			1



TOP VIEW



RIGHT SIDE VIEW



VIEW A-A

DUAL VOLTAGE JACKET WATER HEATER
WIRING GROUP

ALTORFER PACKAGING	ALTORFER POWER SYSTEMS #1 CAPITOL DRIVE P.O. BOX 2550 PH. 309-694-1234 EAST PEORIA, IL. 61611-0550 FAX 309-694-1262	ALTORFER PACKAGING
------------------------------	--	------------------------------

		JOB REF.	
		DRN BY	QUOTE NO.
		M. RANTA	
		DATE	W/D NUMBER
		12-20-00	
		SCALE	FILE
		1=10	DF53
NO.	DESCRIPTION OF CHANGE	BY	DATE
PROPRIETARY INFORMATION UNAUTHORIZED DUPLICATION PROHIBITED			DRAWING NO.
SHEET 1 OF 1			53A103