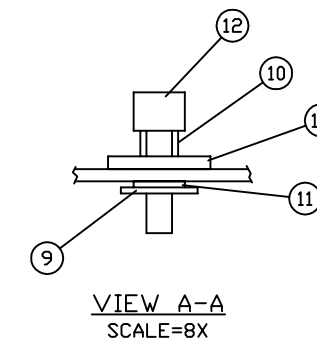
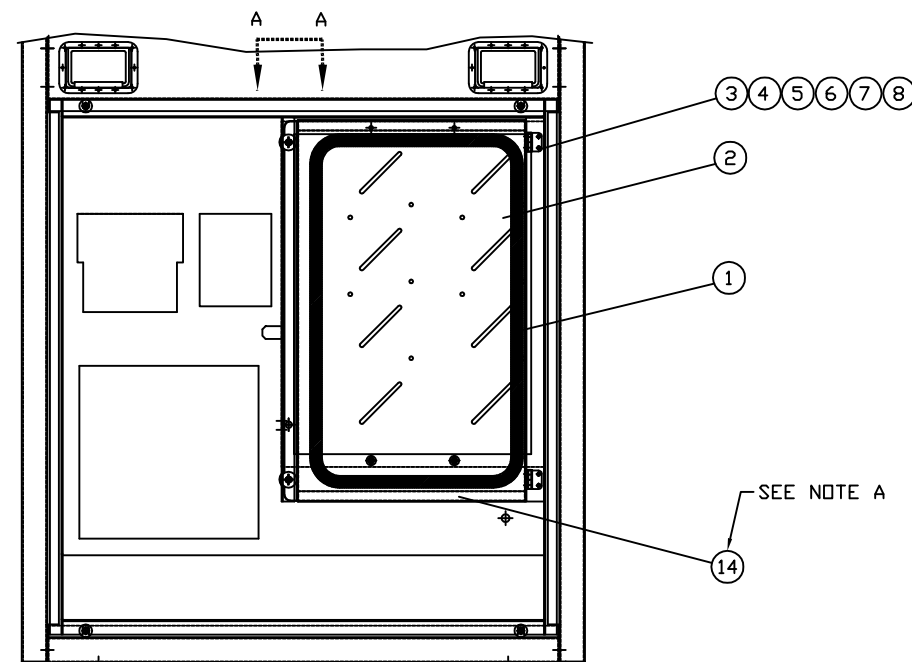


COMP	QTY	DESCRIPTION	WEIGHT
1	1	52C177 - LOAD COVER WINDOW	5
2	1	75000692 - WINDOW GROMMET - 70" Lg.	1
3	8	33614 - #10 LOCK WASHER	1
4	8	36028 - #10-24 NUT	-
5	8	33074 - #10 FLAT WASHER	-
6	8	72158 - #10-24x.75 TAPPERED HEAD SCREW	-
7	2	SSHINGE - HINGE	1
8	4	54D148 - HINGE - LOAD GASKET	-
9	2	90102A030 - SPLIT RETAINING PIN	-
10	2	3603905 - SPRING	-
11	2	95630A445 - TEFLON FLAT WASHER	-
12	2	0473-SS - THUMB SCREW	-
13	2	N1125257 - 1/4" NEOPREME BACKED FLAT WASHER	-
14	1	52C160-2 - LOAD COVER DOOR AS.	15
TOTAL			23



NOTE A: 52C160-2 - LOAD COVER DOOR AS. RECIEVED IN ENCLOSURE PARTS GP.

### LOAD DOOR MOUNTING GROUP



**ALTORFER POWER SYSTEMS**

#1 CAPITOL DRIVE P.O. BOX 2550 PH. 309-694-1234  
EAST PEDRIA, IL. 61611-0550 FAX 309-694-1262



JOB REF.			
DRN BY		M. RANTA	
DATE		08-02-00	
SCALE		FILE	
1=10		DF52	
NO.	DESCRIPTION OF CHANGE	BY	DATE
PROPRIETARY INFORMATION UNAUTHORIZED DUPLICATION PROHIBITED			
SHEET 1 OF 1			DRAWING NO. 52A104