

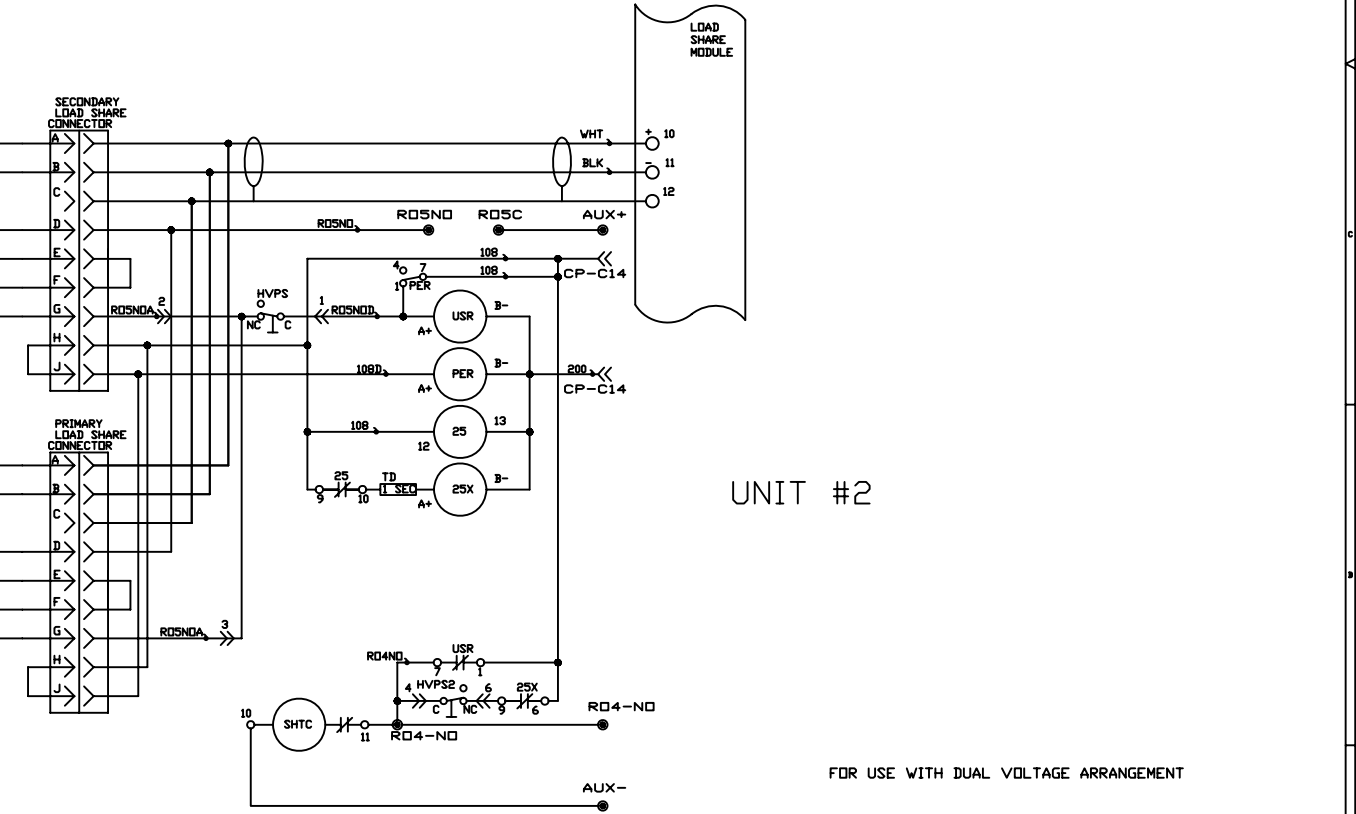
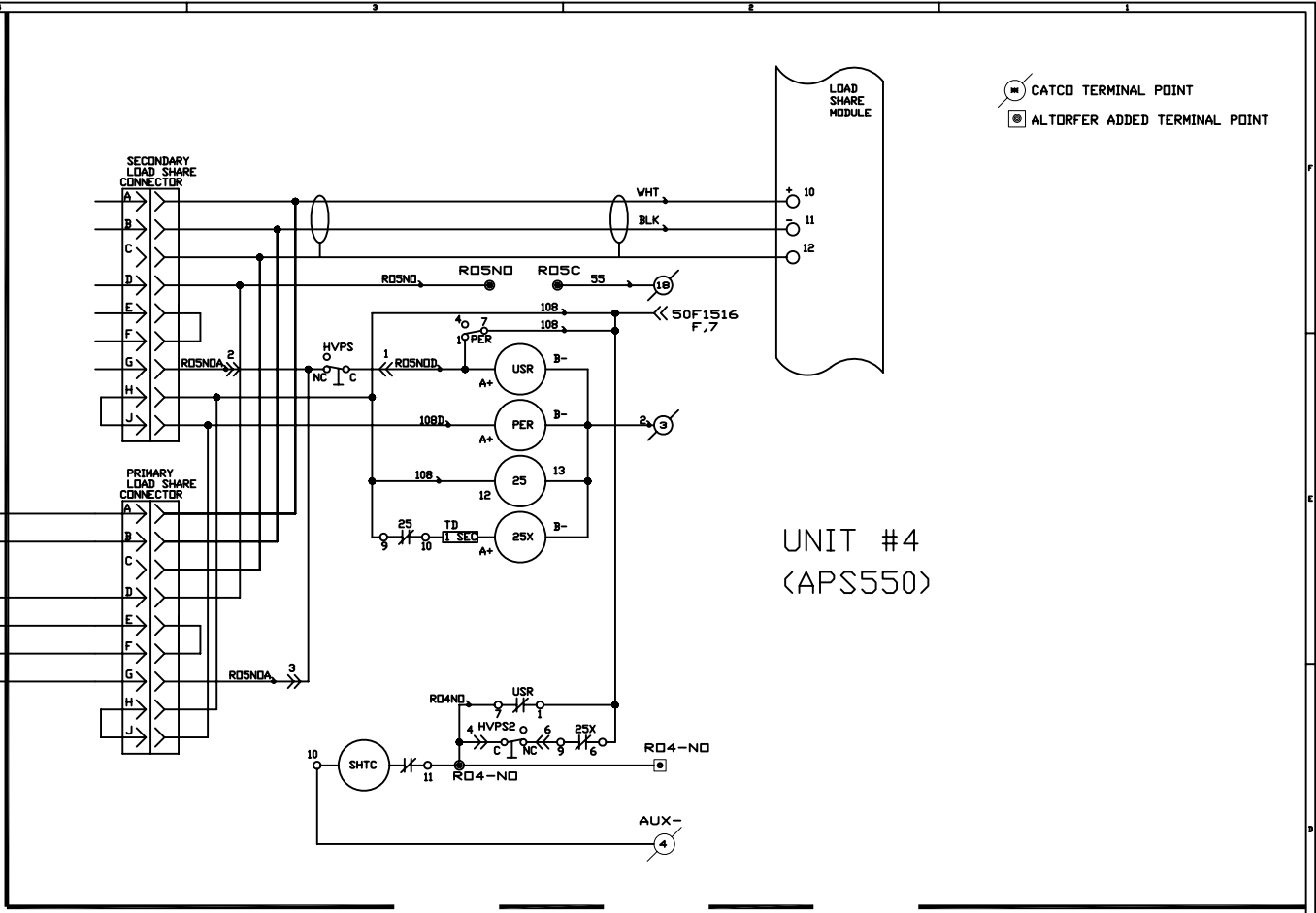
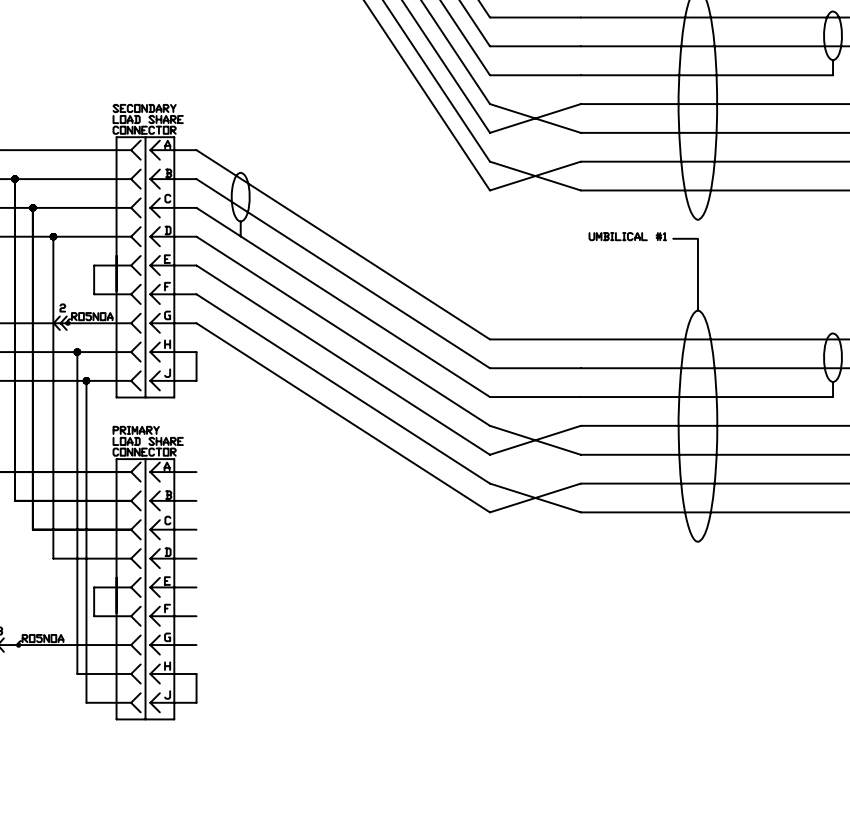
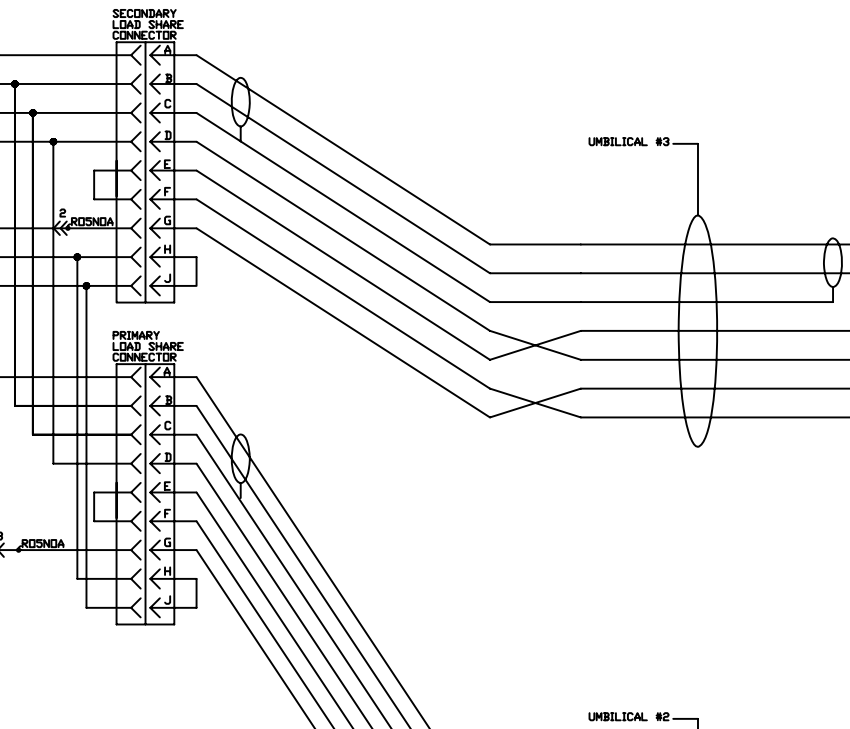
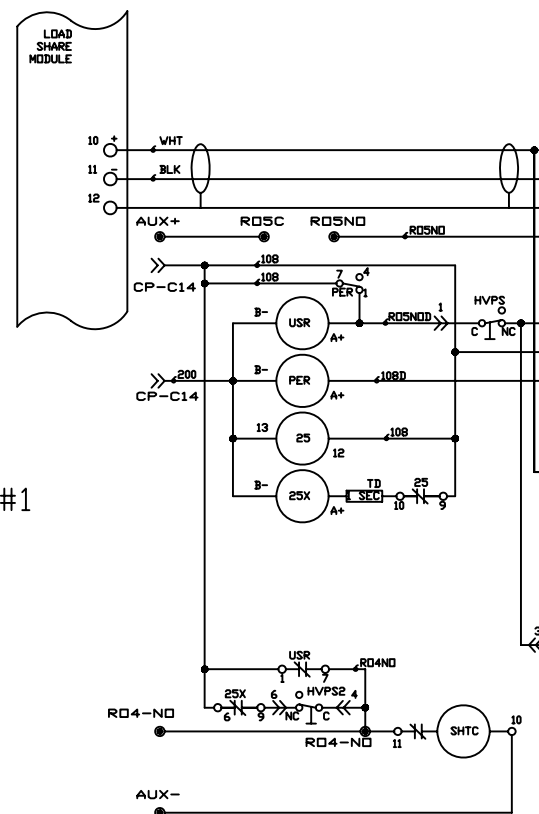
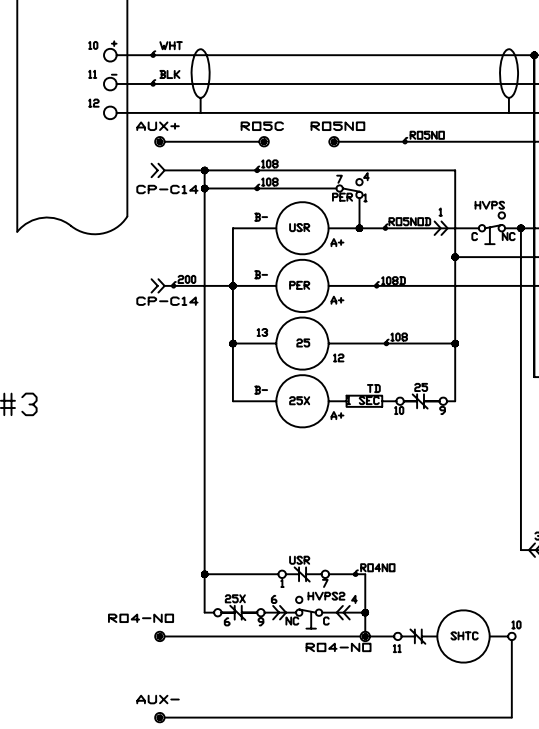
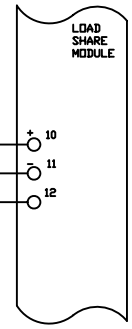
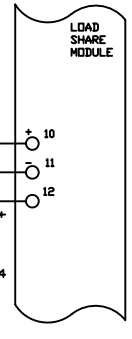
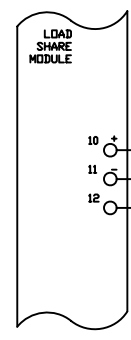
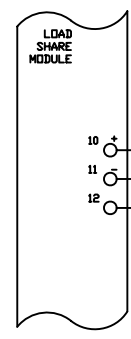
⊗ CATCO TERMINAL POINT  
 ⊙ ALTORFER ADDED TERMINAL POINT

UNIT #3

UNIT #4  
 (APS550)

UNIT #1

UNIT #2



25 - PARALLELING RELAY  
 PER - PARALLEL ENABLE RELAY  
 USR - UMBILICAL SAFETY RELAY

FOR USE WITH DUAL VOLTAGE ARRANGEMENT

		<b>ALTORFER POWER SYSTEMS</b> 6315 W. FAUBER RD. PHONE (309) 697-1234 BARTONVILLE, IL 61807 FAX (309) 292-7546	
THIS DOCUMENT CONTAINS PROPRIETARY INFORMATION OF ALTORFER, INC. WITHOUT THE WRITTEN PERMISSION OF ALTORFER, INC. ANY COPYING OR OTHER USE EXCEPT THAT FOR WHICH IT WAS INTENDED IS PROHIBITED.			
AS-BUILT CHANGE NOTICE	ALL DIMENSIONS IN INCHES UNLESS OTHERWISE SPECIFIED	FILE DF\50F	PROJECT REFERENCE APSS50 POWER MODULE
	TOLERANCES: XX ± 0.100 XXX ± 0.060 XXXX ± 0.005 ANGULAR ± 1°	THIRD ANGLE PROJECTION	SCALE/SHEET SIZE 1=1/D SHEET 1 OF 1
SHEET 1 OF 1	TITLE PARALLELING INTERCONNECT DIAGRAM (240/480 VOLT)	DRAWING NUMBER 468811	WORK ORDER NUMBER 50F1515