

ABBREVIATIONS

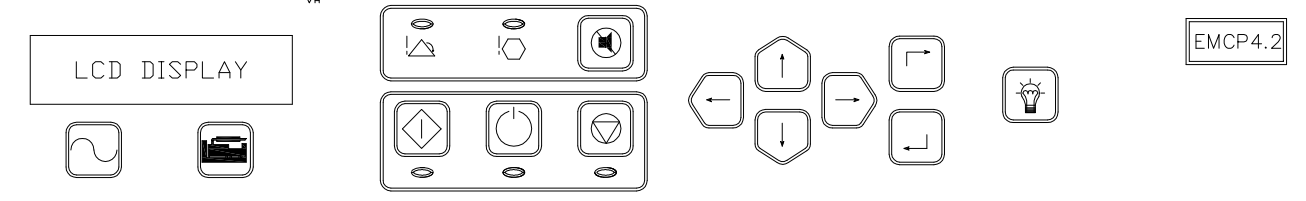
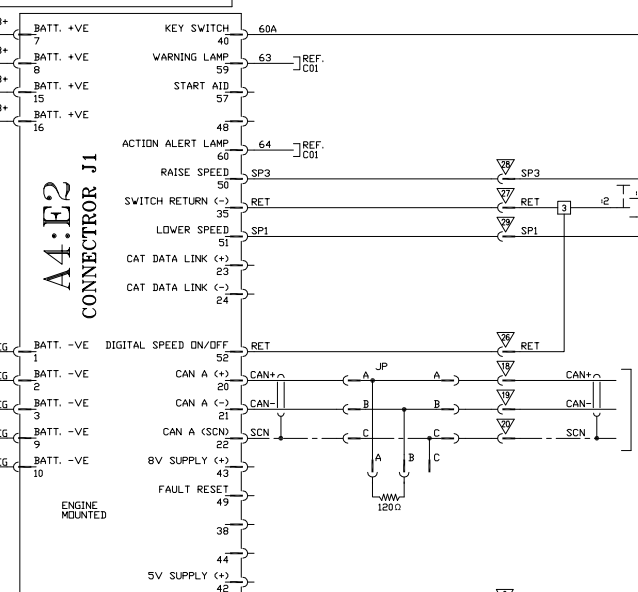
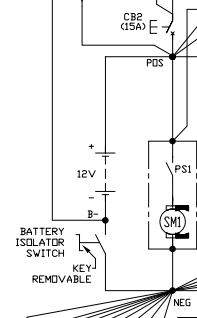
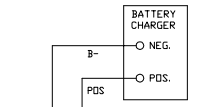
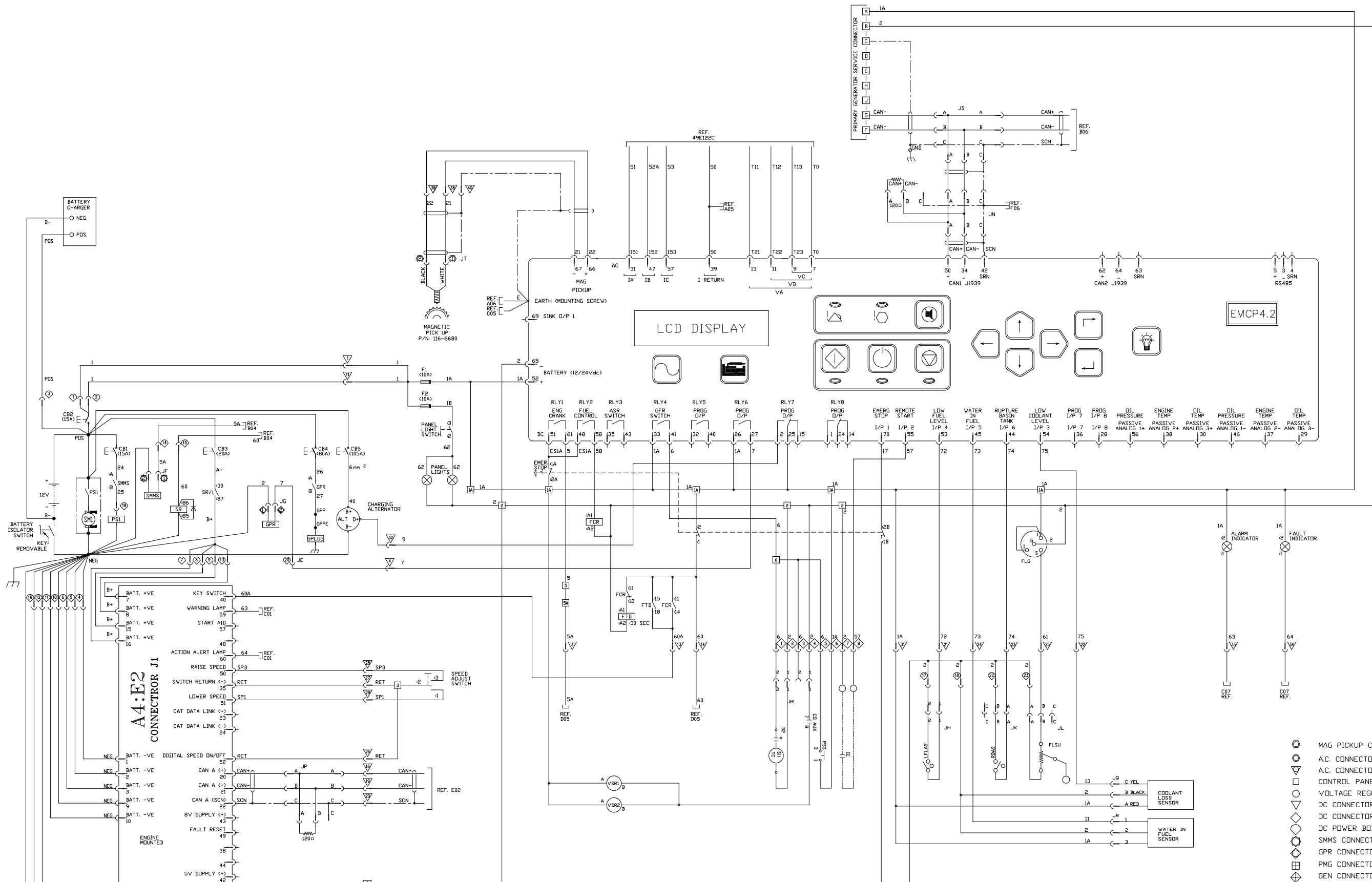
ALS	ALARM SILENCE PUSH BUTTON
ALT	ALTERNATOR
AWG	AMERICAN WIRE GAUGE
CB	CIRCUIT BREAKER
CD AUX	CHANGEDOVER SWITCH AUX CONTACT
COSS	CHANGEDOVER SWITCH DOOR SAFETY SWITCH
CT	CURRENT TRANSFORMER
D	DIODE
ESPB	EMERGENCY STOP PUSH BUTTON
F	FUSE
FLG	FUEL LEVEL GAUGE
FLSU	FUEL LEVEL SENDING UNIT
GPP	GLOW PLUG POST
GPR	GLOW PLUG RELAY
IC	REMOTE START/STOP INITIATE CONTACT
LFLAS	LOW FUEL LEVEL ALARM SWITCH
NC	NORMALLY CLOSED
NO	NORMALLY OPEN
PL	PANEL ILLUMINATION LIGHT
PLS	PANEL LIGHT SWITCH
PS	PINION SOLENOID
PSS	PERSONNEL SAFETY SWITCH
SEC	SECOND
SHTC	CIRCUIT BREAKER SHUNT TRIP COIL
SM	STARTING MOTOR
SMMS	STARTING MOTOR MAGNETIC SWITCH
T	GENERATOR LINE LEADS
VSR1	VOLTAGE SLAVE RELAY 1
VSR2	VOLTAGE SLAVE RELAY 2

SYMBOLS

	A.C. CONNECTOR (JC)		EMERGENCY STOP
	A.C. CONNECTOR (JD)		RAISE
	CONTROL PANEL TERMINAL POINT (TS1)		LOWER
	VOLTAGE REGULATOR TERMINAL POINT		ON
	DC CONNECTOR #1 (JA)		OFF
	DC CONNECTOR #2 (JB)		LAMP
	DC POWER BOX CONNECTOR (JE)		PANEL ILLUMINATION LIGHT
	SMMS CONNECTOR (JF)		
	GPR CONNECTOR (JG)		
	PMG CONNECTOR (JR)		
	GEN CONNECTOR (JS)		
	STANDARD WIRING		
	CUSTOMER WIRING		
	LOAD PAN WIRING		
	SHIELDED WIRE		
	RELAY CONTACT (NORMALLY OPEN)		
	RELAY CONTACT (NORMALLY CLOSED)		
	GENERATOR FRAME (CHASSIS) GROUND		
	EARTH GROUND		
	LIQUID LEVEL SWITCH		
	LEVEL SENDING UNIT		
	MANUALLY OPERATED CONTROL		
	OPERATED BY TURNING		
	DIODE		
	FUSE		
	EMERGENCY SWITCH		
	RELAY COIL		
	CIRCUIT BREAKER		
	CAPACITOR		

ABBREVIATIONS AND SYMBOLS

DATE 04/16/12	REV. 01	ALTORFER POWER SYSTEMS 6315 W. FAUBER RD. PHONE (309) 697-1234 BARTONVILLE, IL 61607 FAX (309) 262-7546	
AS-BUILT	THIS DOCUMENT CONTAINS PROPRIETARY INFORMATION OF ALTORFER, INC. WITHOUT THE WRITTEN PERMISSION OF ALTORFER, INC., ANY COPYING OR OTHER USE EXCEPT THAT FOR WHICH IT WAS INTENDED IS PROHIBITED.	FILE	PROJECT REFERENCE
CHG RECP	ALL DIMENSIONS IN INCHES UNLESS OTHERWISE SPECIFIED	DF/49E	APS150A W/ROTARY SWITCH
NO	TOLERANCE: XX ± 0.100 XXX ± 0.060 XXXX ± 0.005	THIRD ANGLE PROJECTION	SCALE/SHEET SIZE 1=1/D
	ANGULAR ± 1°	SHEET	DATE 03/30/2012
	TITLE	1 OF 3	WORK ORDER NUMBER
			DRAWING NUMBER 49E122A-02
			DIAGRAM - WIRING EMCP 4.2



- MAG PICKUP CONNECTOR (JT)
- A.C. CONNECTOR (JC)
- A.C. CONNECTOR (JD)
- CONTROL PANEL TERMINAL POINT (TS1)
- VOLTAGE REGULATOR TERMINAL POINT
- DC CONNECTOR #1 (JA)
- DC CONNECTOR #2 (JB)
- DC POWER BOX CONNECTOR (JE)
- SMMS CONNECTOR (JF)
- GPR CONNECTOR (JG)
- PMG CONNECTOR (JR)
- GEN CONNECTOR (JS)

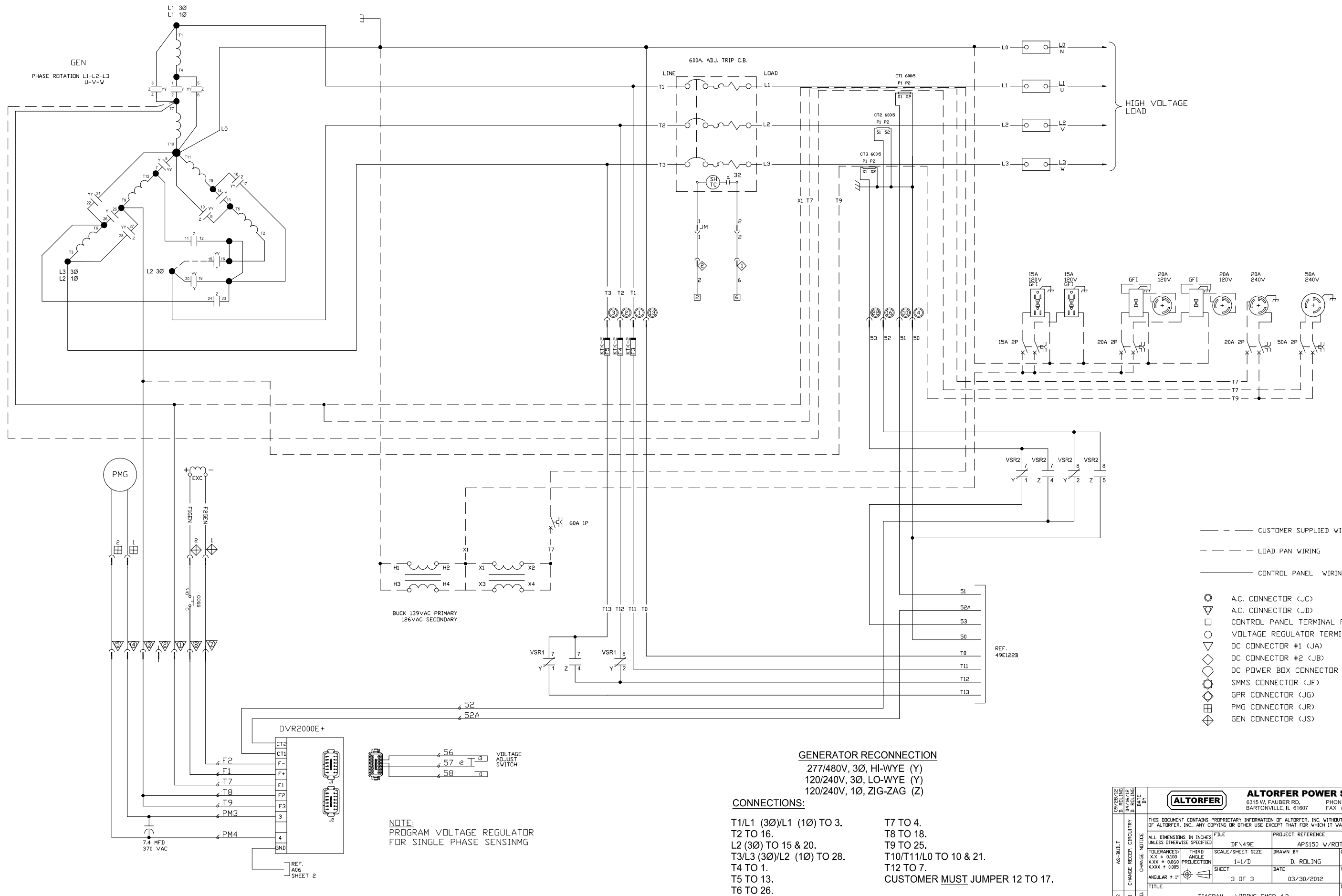
DATE: 04/16/12	FILE: DF\49E	PROJECT REFERENCE: APS150 W/ROTARY SWITCH
AS-BUILT	SCALE/SHEET SIZE: 1=1/D	DRAWN BY: D. RDLING
CHANGE RECEP. CIRCUITRY	ANGLE PROJECTION: THIRD ANGLE	DATE: 03/30/2012
CHANGE NOTICE	SHEET: 2 OF 3	WORK ORDER NUMBER
TITLE: DIAGRAM - WIRING EMCP 4.2	DRAWING NUMBER: 49E122B-02	

ALTORFER POWER SYSTEMS
 6315 W. FAUBER RD. PHONE (309) 697-1234
 BARTONVILLE, IL 61607 FAX (309) 262-7546

THIS DOCUMENT CONTAINS PROPRIETARY INFORMATION OF ALTORFER, INC. WITHOUT THE WRITTEN PERMISSION OF ALTORFER, INC. ANY COPYING OR OTHER USE EXCEPT THAT FOR WHICH IT WAS INTENDED IS PROHIBITED.

ALL DIMENSIONS IN INCHES UNLESS OTHERWISE SPECIFIED

TOLERANCES: XX ± 0.100 ANGLE THIRD ANGLE PROJECTION XXX ± 0.060 ANGULAR ± 1'



--- CUSTOMER SUPPLIED WIRING
 - - - - - LOAD PAN WIRING
 _____ CONTROL PANEL WIRING

- A.C. CONNECTOR (JC)
- ▽ A.C. CONNECTOR (JD)
- CONTROL PANEL TERMINAL POINT (TS1)
- VOLTAGE REGULATOR TERMINAL POINT
- ◇ DC CONNECTOR #1 (JA)
- ◇ DC CONNECTOR #2 (JB)
- ◇ DC POWER BOX CONNECTOR (JE)
- ◇ SMMS CONNECTOR (JF)
- ◇ GPR CONNECTOR (JG)
- ◇ PMG CONNECTOR (JR)
- ◇ GEN CONNECTOR (JS)

GENERATOR RECONNECTION

277/480V, 3Ø, HI-WYE (Y)
 120/240V, 3Ø, LO-WYE (Y)
 120/240V, 1Ø, ZIG-ZAG (Z)

CONNECTIONS:

- T1/L1 (3Ø)/L1 (1Ø) TO 3.
- T2 TO 16.
- L2 (3Ø) TO 15 & 20.
- T3/L3 (3Ø)/L2 (1Ø) TO 28.
- T4 TO 1.
- T5 TO 13.
- T6 TO 26.
- T7 TO 4.
- T8 TO 18.
- T9 TO 25.
- T10/T11/L0 TO 10 & 21.
- T12 TO 7.
- CUSTOMER MUST JUMPER 12 TO 17.

NOTE:
 PROGRAM VOLTAGE REGULATOR
 FOR SINGLE PHASE SENSING

DF 49E122C-02	DATE 04/16/12	REV. 1	BY	DATE	FILE	PROJECT REFERENCE
AS-BUILT	CHANGE RECEIVED	CHANGE NOTICE			DF\49E	APS150 W/ROTARY SWITCH
ALL DIMENSIONS IN INCHES UNLESS OTHERWISE SPECIFIED			TOLERANCES: XX ± 0.100 ANGLE XXX ± 0.060 PROJECTION XXXX ± 0.005 ANGULAR ± 1'		SCALE/SHEET SIZE 1=1/D	DRAWN BY D. ROLLING
TITLE			DATE		3 DF 3	03/30/2012
DIAGRAM - WIRING EMCP 4.2			DRAWING NUMBER		49E122C-02	

ALTORFER POWER SYSTEMS
 6315 W. FAUBER RD. PHONE (309) 697-1234
 BARTONVILLE, IL 61607 FAX (309) 262-7546