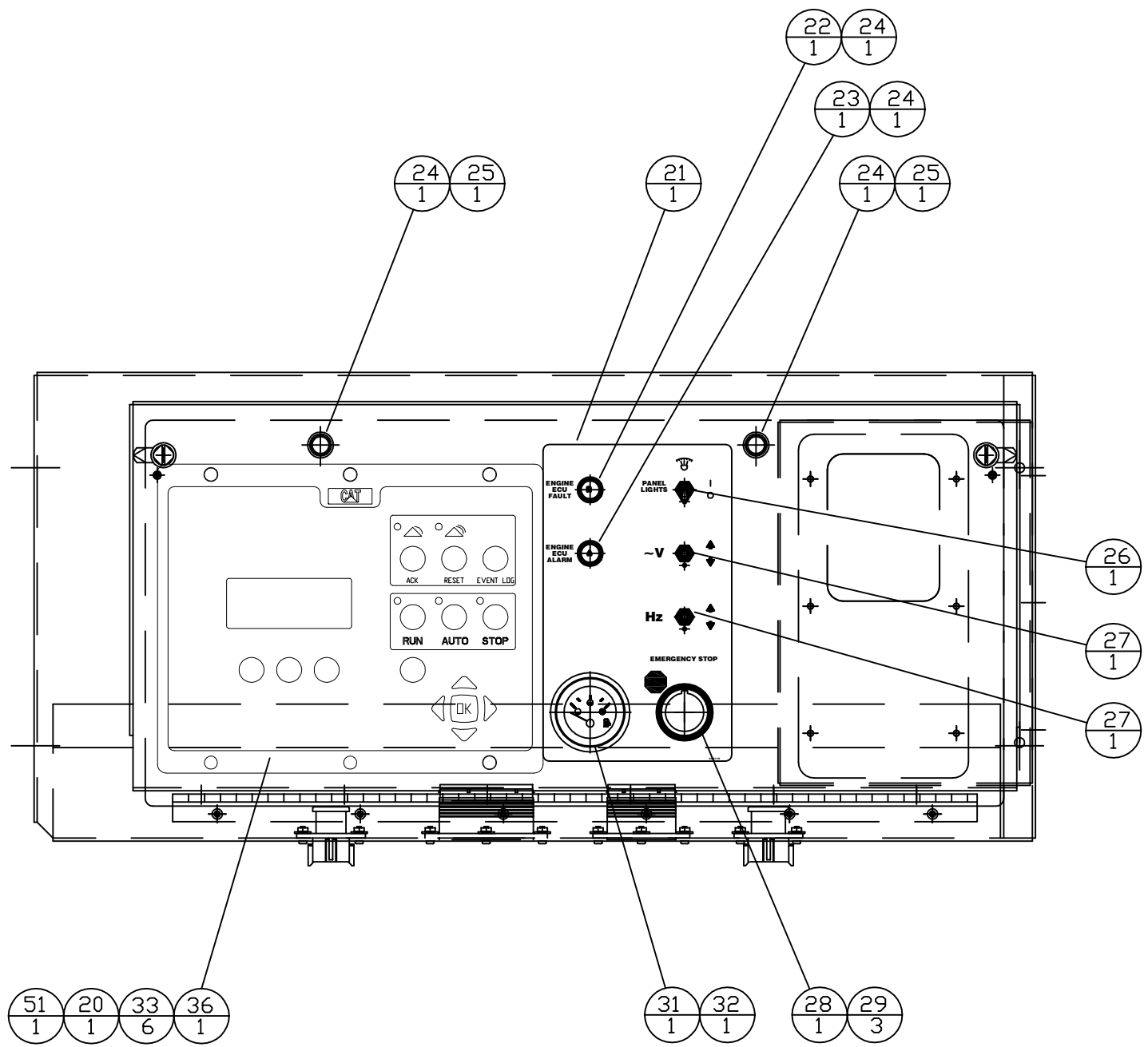


LATEST PRINT 03/23/2012
DELETE ALL OTHERS

ITEM	QTY.	UNITS	P/N	DESCRIPTION	MANUFACTURE
1	1		49C303	BOX - CONTROL PANEL	ALTORFER
2	1		49C305	HINGE - CONTROL PANEL	ALTORFER
3	18		27561	SCREW - #10-32 x 3/4	FASTENAL
4	18		0159719	WASHER - FLAT #10	FASTENAL
5	18		37408	NUT - KEPS #10-32	FASTENAL
6	1		DT06-BSA-LE11(194-4254)	RECEPTACLE - CONN 8 PIN	DEUTSCH (CAT)
7	1		DRC12-40PB(9X-7148)	RECEPTACLE - CONN 40 PIN	DEUTSCH(CAT)
8	1		DRC12-24PA(9X-0145)	RECEPTACLE - CONN 24 PIN	DEUTSCH(CAT)
9	1		DT04-12PA-LE14(166-5229)	RECEPTACLE - CONN 12 PIN	DEUTSCH(CAT)
10	1		49E101	TERMINAL GROUP	
11	20		28810	SCREW - #6-32 x 5/8	FASTENAL
12	32		0159699	WASHER - FLAT #6	FASTENAL
13	22		37405	NUT - KEPS #6-32	FASTENAL
14	51.75	IN.	8512K63	SEAL - WEATHER 1/2x1/8	McMASTER-CARR
15	1		49C309	DOOR - CONTROL PANEL	ALTORFER
16	2		226-0295	LOCK AS.	CATERPILLAR
17	2		226-0321	CAM	CATERPILLAR
18	2		90312A280	LANYARD - 12' LOOP/LOOP	McMASTER-CARR
19	4		37101	NUT - NYLON #6-32	FASTENAL
20	1		351-8758	CONTROL-ELECT. EMCP4.2	CATERPILLAR
21	1		49G115	FILM	MUIR OMNI
22	1		2N-2371	LAMP AS. (RED)	CAT
23	1		141-9228	LAMP AS. (AMBER)	CAT
24	4		9527T403	LAMP - MINIATURE	McMASTER-CARR
25	2		7G-9730	LAMP AS.	CAT
26	1		8D-2676	SWITCH AS.	CAT
27	2		110-7884	SWITCH AS.	CAT
28	1		109-6507(800H-FRXT6)	SWITCH - OPERATOR	CAT/A-B
29	3		111-1324(800T-XD2)	BLOCK - CONTACT	CAT/A-B
30	1		49C307	BRACKET	ALTORFER
31	1		7-196	INDICATOR AS.	DORMAN CHAMP
32	1		134-2305	SEAL	CAT
33	6		243-5027	NUT - M6X1	CATERPILLAR
34	1		W8S	WEDGE	DEUTSCH
35	1		W12P	WEDGE	DEUSTCH
36	1		103-6272	SEAL	CATERPILLAR
37	1		49C308	SHIM	ALTORFER
38	1		A-66377-45	CAPACITOR	MARATHON
39	1		A-525588-CC	BRACKET	MARATHON
40	1		DVR2000E+	REGULATOR	MARATHON
41	3		77003	BOLT 1/4-20X3/4	FASTENAL
42	3		1171013	WASHER - FLAT 1/4	FASTENAL
43	3		71063	WASHER - LOCK 1/4	FASTENAL
44	6		28838	SCREW - #6-32x1-1/2	FASTENAL
45	1		HD14-9-96P(8T-8736)	RECEPTACLE - CONNECTOR	DEUTSCH(CAT)
46	1		HDC16-9(C-6354)	CAP - RECEPTACLE	DEUTSCH(CAT)
47	84		0413-217-1605(9G-3695)	PLUG - SEALING	DEUTSCH(CAT)
48	41		0460-215-1631(126-1767)	PIN - CONNECTOR(GOLD)	DEUTSCH(CAT)
49	1		160-7689	PLUG - CONNECTOR	CATERPILLAR
50	41		0462-209-1631(126-1768)	SOCKET-CONNECTOR(GOLD)	DEUTSCH(CAT)
51	1		233-7742	SCREW-GND - M4X0.7X7MM	CATERPILLAR
52	2		DT04-3P-P007 (133-0970)	RECEPTACLE AS. *Y*	DEUTSCH(CAT)
53	1		DT06-3S-PP01 (174-3016)	PLUG AS-RESISTOR	DEUTSCH(CAT)
54	1		49E114	CABLE ASSEMBLY	ALTORFER
55	1		49E115	CABLE ASSEMBLY	ALTORFER
56	1		49E116	CABLE ASSEMBLY	ALTORFER
57	1		49E117	CABLE ASSEMBLY	ALTORFER
58	1		DT06-12SB-EP06(155-2253)	PLUG - CONNECTOR	DEUTSCH(CAT)
59	1		W12S-P012(155-2258)	WEDGE	DEUTSCH(CAT)

<p>DATE: 12/2/2011 DRAWN BY: D. ROLING CHECKED BY: D. ROLING DESIGNED BY: D. ROLING APPROVED BY: D. ROLING REVISED BY: D. ROLING CHANGE NOTICE</p>	<p>ALTORFER POWER SYSTEMS 8315 W. FAUBER RD. PHONE: (309) 897-1234 BARTONVILLE, IL 61807 FAX: (309) 282-7546</p>
<p>THIS DOCUMENT CONTAINS PROPRIETARY INFORMATION OF ALTORFER, INC. WITHOUT THE WRITTEN PERMISSION OF ALTORFER, INC., ANY COPYING OR OTHER USE EXCEPT THAT FOR WHICH IT WAS INTENDED IS PROHIBITED.</p>	<p>FILE: APS150 - 2012 PROJECT REFERENCE: APS150 - 2012 TOLERANCES: X.X ± 0.100 X.XX ± 0.060 X.XXX ± 0.005 ANGULAR ± 1°</p>
<p>SCALE/SHEET SIZE: 1=5/C SHEET: 1 OF 3</p>	<p>DRAWN BY: D. ROLING DATE: 12/2/2011 WORK ORDER NUMBER: 49E111A-03</p>
<p>TITLE: CONTROL PANEL AS. CONTROL PANEL GROUP - EMCP4.2</p>	



LATEST PRINT 03/23/2012
DELETE ALL OTHERS

3	SHOW CORRECT QTY'S OF EMERGENCY STOP CONTACTS	03/23/12	D. ROLING	ALTORFER POWER SYSTEMS 6315 W. FAUBER RD. BARTONVILLE, IL 61607 PHONE (309) 697-1234 FAX (309) 282-7546
	CHG VOLTAGE REGULATOR TO DV2R000E+, ADD PLUG	03/05/12	D. ROLING	
	ADD J1939 CONNECTORS REVISE HARDWARE	02/12/12	D. ROLING	
NDL	CHANGE NOTICE		DATE BY	THIS DOCUMENT CONTAINS PROPRIETARY INFORMATION OF ALTORFER, INC. WITHOUT THE WRITTEN PERMISSION OF ALTORFER, INC., ANY COPYING OR OTHER USE EXCEPT THAT FOR WHICH IT WAS INTENDED IS PROHIBITED.
ALL DIMENSIONS IN INCHES UNLESS OTHERWISE SPECIFIED		FILE	PROJECT REFERENCE	
TOLERANCES: X.X ± 0.100 X.XX ± 0.060 X.XXX ± 0.005		THIRD ANGLE PROJECTION	DF\51E	APS150 - 2012
ANGULAR ± 1°		SCALE/SHEET SIZE	DRAWN BY	QUOTE NUMBER
		1=5/B	D. ROLING	
		SHEET	DATE	WORK ORDER NUMBER
		2 OF 3	12/2/2011	
TITLE				DRAWING NUMBER
CONTROL PANEL ASSEMBLY CONTROL PANEL GROUP - EMCP4.2				49E111B-03

