

ABBREVIATIONS

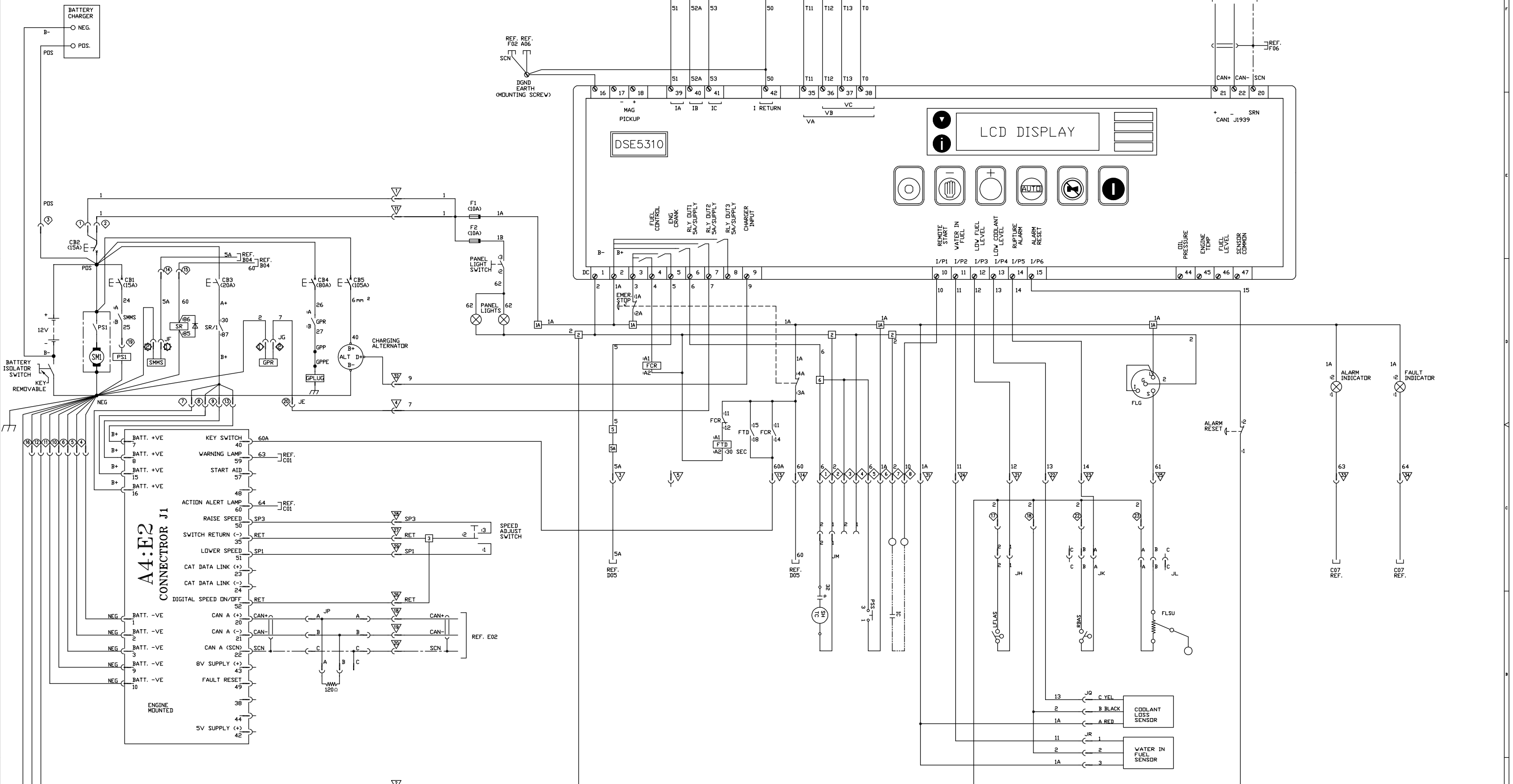
ALS	ALARM SILENCE PUSH BUTTON
ALT	ALTERNATOR
AWG	AMERICAN WIRE GAUGE
CB	CIRCUIT BREAKER
CT	CURRENT TRANSFORMER
D	DIODE
ESPB	EMERGENCY STOP PUSH BUTTON
F	FUSE
FLG	FUEL LEVEL GAUGE
FLSU	FUEL LEVEL SENDING UNIT
GPP	GLOW PLUG POST
GPR	GLOW PLUG RELAY
IC	REMOTE START/STOP INITIATE CONTACT
LFLAS	LOW FUEL LEVEL ALARM SWITCH
NC	NORMALLY CLOSED
NO	NORMALLY OPEN
PL	PANEL ILLUMINATION LIGHT
PLS	PANEL LIGHT SWITCH
PS	PINION SOLENOID
PSS	PERSONNEL SAFETY SWITCH
SEC	SECOND
SHTC	CIRCUIT BREAKER SHUNT TRIP COIL
SM	STARTING MOTOR
SMMS	STARTING MOTOR MAGNETIC SWITCH
T	GENERATOR LINE LEADS

SYMBOLS

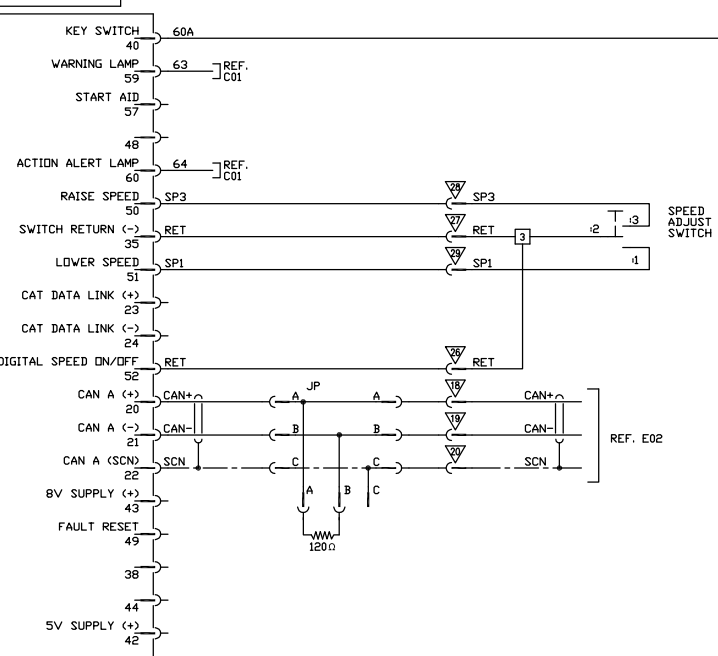
	A.C. CONNECTOR (JC)		STOP
	A.C. CONNECTOR (JD)		MANUAL / MINUS
	CONTROL PANEL TERMINAL POINT (TS1)		ADD
	VOLTAGE REGULATOR TERMINAL POINT		AUTOMATIC MODE / ENTER
	DC CONNECTOR #1 (JA)		HORN SILENCE / LAMP TEST
	DC CONNECTOR #2 (JB)		START
	DC POWER BOX CONNECTOR (JE)		SCROLL
	SMMS CONNECTOR (JF)		INFORMATION / PAGE SCROLL
	GPR CONNECTOR (JG)		EMERGENCY STOP
	PMG CONNECTOR (JR)		RAISE
	GEN CONNECTOR (JS)		LOWER
	STANDARD WIRING		ON
	CUSTOMER WIRING		OFF
	LOAD PAN WIRING		LAMP
	SHIELDED WIRE		PANEL ILLUMINATION LIGHT
	RELAY CONTACT (NORMALLY OPEN)		
	RELAY CONTACT (NORMALLY CLOSED)		
	GENERATOR FRAME (CHASSIS) GROUND		
	EARTH GROUND		
	LIQUID LEVEL SWITCH		
	LEVEL SENDING UNIT		
	MANUALLY OPERATED CONTROL		
	OPERATED BY TURNING		
	DIODE		
	FUSE		
	EMERGENCY SWITCH		
	RELAY COIL		
	CIRCUIT BREAKER		
	CAPACITOR		

ABBREVIATIONS AND SYMBOLS

		ALTORFER		ALTORFER POWER SYSTEMS 6315 W. FAUBER RD. PHONE (309) 697-1234 BARTONVILLE, IL 61607 FAX (309) 282-7546	
THIS DOCUMENT CONTAINS PROPRIETARY INFORMATION OF ALTORFER, INC. WITHOUT THE WRITTEN PERMISSION OF ALTORFER, INC., ANY COPYING OR OTHER USE EXCEPT THAT FOR WHICH IT WAS INTENDED IS PROHIBITED					
CHANGE NOTICE	ALL DIMENSIONS IN INCHES UNLESS OTHERWISE SPECIFIED	FILE	PROJECT REFERENCE		
	TOLERANCES: XX ± 0.100 XXX ± 0.060 XXXX ± 0.005	THIRD ANGLE PROJECTION	DF/49E	APS150	
	ANGULAR ± 1'		SCALE/SHEET SIZE 1=1/D	DRAWN BY D. RICHARDSON	QUOTE NUMBER
	TITLE		SHEET 1 OF 3	DATE 1/31/08	WORK ORDER NUMBER
1	1	DIAGRAM - WIRING			DRAWING NUMBER 49E105

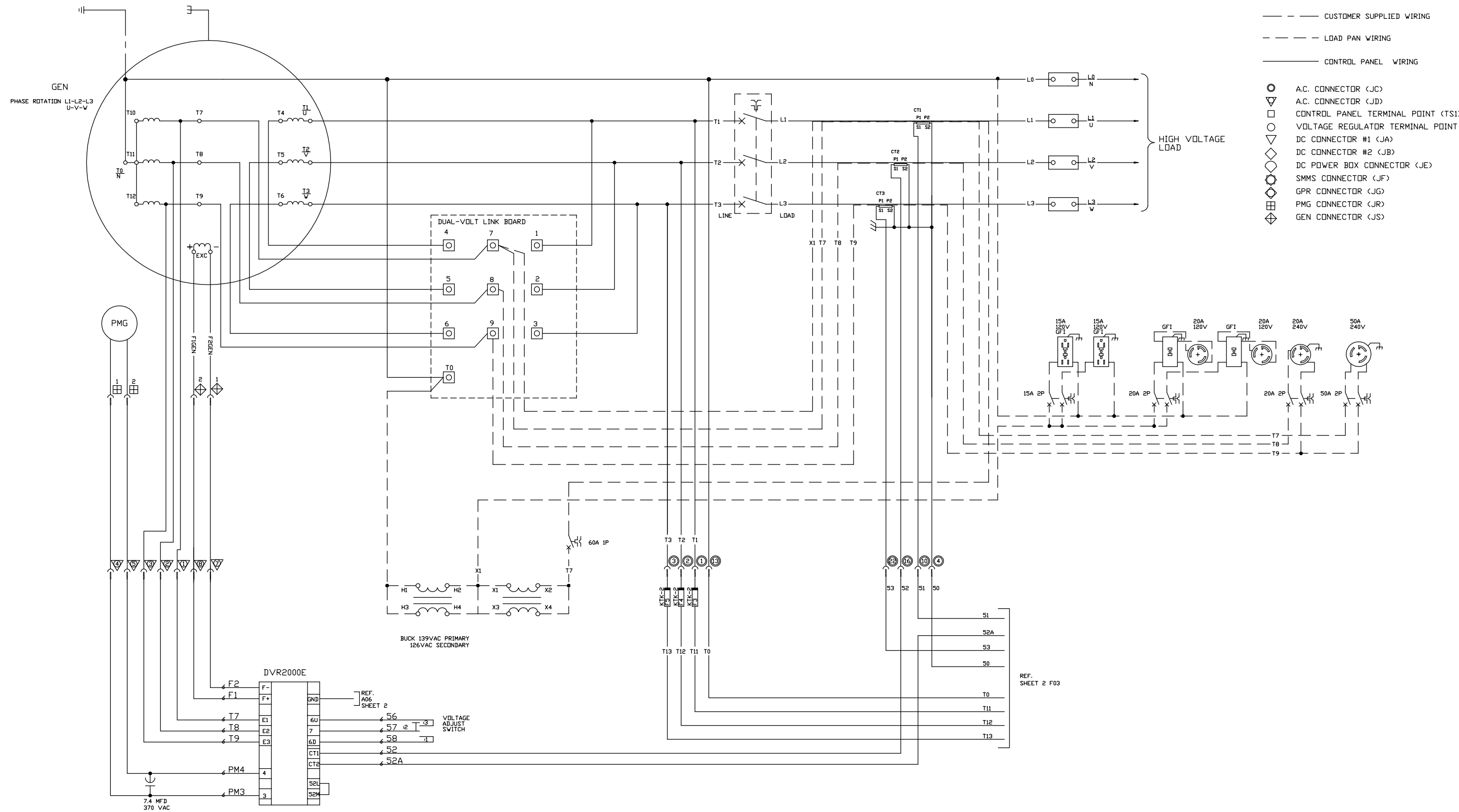


A4:E2
CONNECTOR J1



- A.C. CONNECTOR (JC)
- ▽ A.C. CONNECTOR (JD)
- CONTROL PANEL TERMINAL POINT
- ◇ VOLTAGE REGULATOR TERMINAL POINT
- ◇ DC CONNECTOR #1 (JA)
- ◇ DC CONNECTOR #2 (JB)
- ◇ DC POWER BOX CONNECTOR (JE)
- ◇ SMMS CONNECTOR (JF)
- ◇ GPR CONNECTOR (JG)
- ◇ PMG CONNECTOR (JR)
- ◇ GEN CONNECTOR (JS)

DATE BY		ALTORFER		ALTORFER POWER SYSTEMS	
		6315 W. FAUBER RD.		PHONE (309) 697-1234	
		BARTONVILLE, IL 61607		FAX (309) 282-7646	
THIS DOCUMENT CONTAINS PROPRIETARY INFORMATION OF ALTORFER, INC. WITHOUT THE WRITTEN PERMISSION OF ALTORFER, INC., ANY COPYING OR OTHER USE EXCEPT THAT FOR WHICH IT WAS INTENDED IS PROHIBITED.					
CHANGE NOTICE	FILE	DF-49E	PROJECT REFERENCE	AP5150	
	TOLERANCES UNLESS OTHERWISE SPECIFIED	XXX ± 0.100	SCALE/SHEET SIZE	DRAWN BY	QUOTE NUMBER
	ANGLE	XXX ± 0.060	1=1/D	D. RICHARDSON	WORK ORDER NUMBER
	PROJECTION	XXX ± 0.005	SHEET	DATE	1/31/08
ANGULAR ± 1'		2 OF 3			DRAWING NUMBER
TITLE					49E105
DIAGRAM - WIRING					



- CUSTOMER SUPPLIED WIRING
- LOAD PAN WIRING
- CONTROL PANEL WIRING
- A.C. CONNECTOR (JC)
- ▽ A.C. CONNECTOR (JD)
- CONTROL PANEL TERMINAL POINT (TS1)
- VOLTAGE REGULATOR TERMINAL POINT
- ◇ DC CONNECTOR #1 (JA)
- ◇ DC CONNECTOR #2 (JB)
- ◇ DC POWER BOX CONNECTOR (JE)
- ◇ SMMS CONNECTOR (JF)
- ◇ GPR CONNECTOR (JG)
- ◇ PMG CONNECTOR (JR)
- ◇ GEN CONNECTOR (JS)

REF. SHEET 2 F03

DATE BY		ALTORFER		ALTORFER POWER SYSTEMS	
		6315 W. FAUBER RD.		PHONE (309) 697-1234	
		BARTONVILLE, IL 61607		FAX (309) 282-7646	
THIS DOCUMENT CONTAINS PROPRIETARY INFORMATION OF ALTORFER, INC. WITHOUT THE WRITTEN PERMISSION OF ALTORFER, INC., ANY COPYING OR OTHER USE EXCEPT THAT FOR WHICH IT WAS INTENDED IS PROHIBITED.					
ALL DIMENSIONS IN INCHES UNLESS OTHERWISE SPECIFIED		FILE	PROJECT REFERENCE		
		DF\49E	AP5150		
TOLERANCES:	THIRD ANGLE PROJECTION	SCALE/SHEET SIZE	DRAWN BY	QUOTE NUMBER	
X.X ± 0.100		1=1/D	D. RICHARDSON		
X.XX ± 0.050		SHEET	DATE	WORK ORDER NUMBER	
X.XXX ± 0.005		3 OF 3	1/31/08		
ANGULAR ± 1'				DRAWING NUMBER	
TITLE				49E105	
DIAGRAM - WIRING					