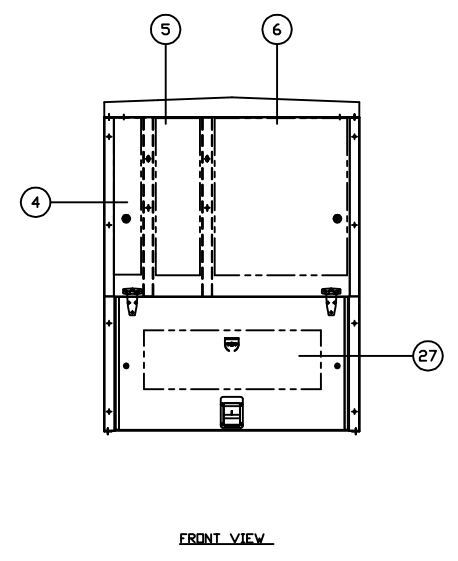
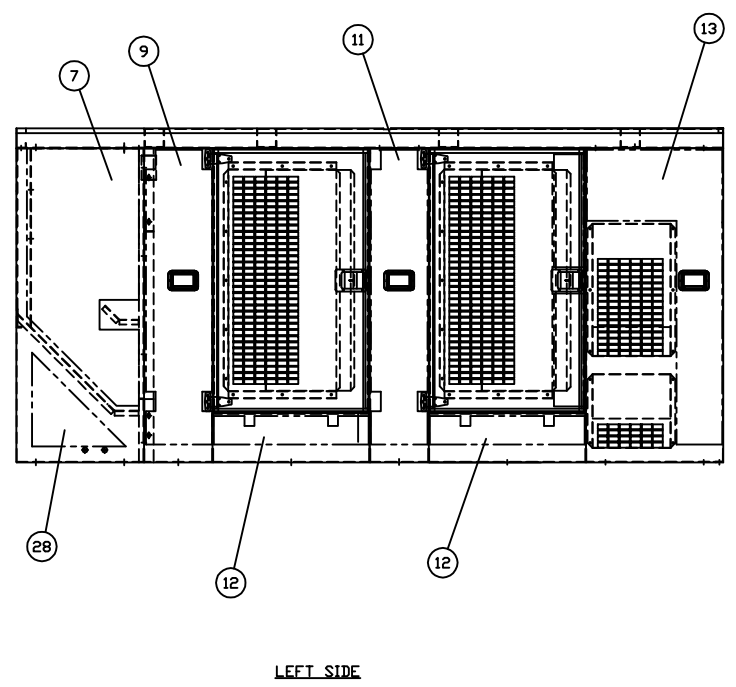
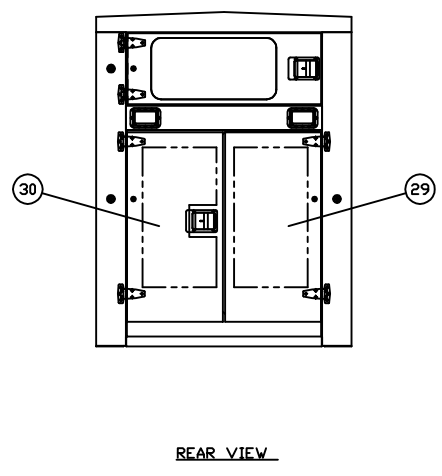
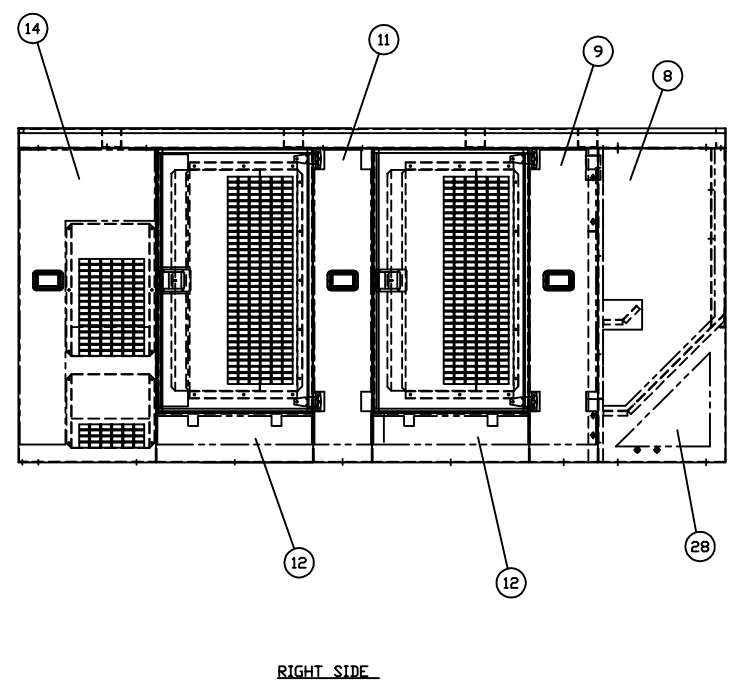
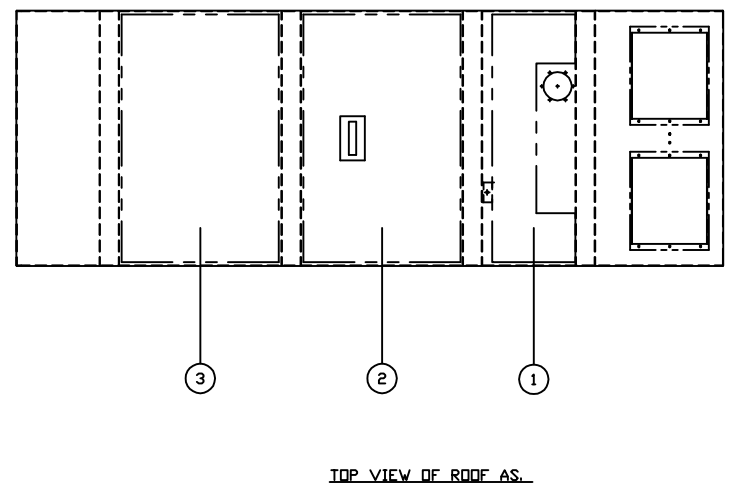
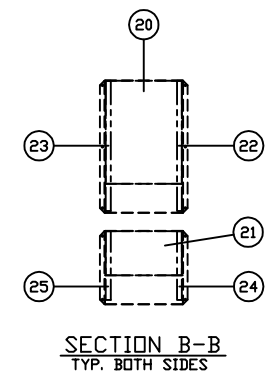
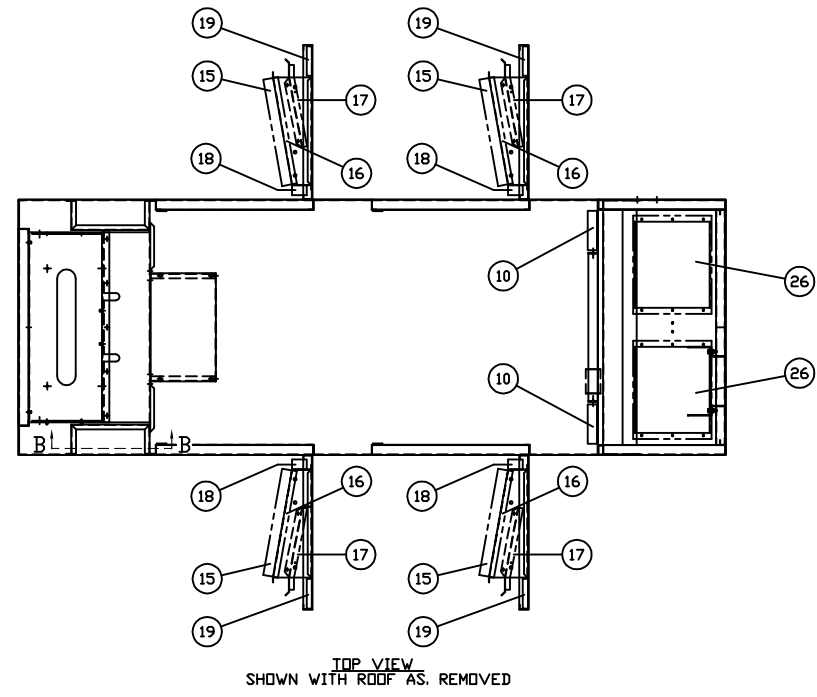


ITEM	QTY.	PART No.	DESCRIPTION
1	1	49D101	ROOF - FRONT
2	1	49D102	ROOF - FRONT CENTER
3	1	49D103	ROOF - REAR CENTER
4	1	49D104	DUCT - RIGHT TOP
5	1	49D105	DUCT - CENTER TOP
6	1	49D106	DUCT - LEFT TOP
7	1	49D107	DUCT - RH SIDE
8	1	49D108	DUCT - LH SIDE
9	2	49D109	FRONT CORNER - SIDE
10	2	49D110	FRONT CORNER - END
11	2	49D111	FILLER PANEL
12	4	53D214	BELOW DOOR
13	1	49D112	REAR CORNER - LH SIDE
14	1	49D113	REAR CORNER - RH SIDE
15	4	49D114	DOOR INTAKE - INTERIOR
16	4	49D115	DOOR INTAKE - SOUND BOX
17	4	49D116	DOOR INTAKE - BAFFLE
18	2	49D117	DOOR INTAKE - RADIATOR
19	2	49D118	DOOR SKIN
20	2	49D119	REAR INTAKE - UPPER INTERIOR
21	2	49D120	REAR INTAKE - LOWER INTERIOR
22	2	49D121	REAR INTAKE - UPPER LH SIDE
23	2	49D122	REAR INTAKE - UPPER RH SIDE
24	2	49D123	REAR INTAKE - LOWER LH SIDE
25	2	49D124	REAR INTAKE - LOWER RH SIDE
26	2	49D125	DUCT - ACCESS
27	1	53D232	DAMPING SHEET - BULKHEAD/BATTERY DOOR
28	2	53D233	DAMPING SHEET - EXHAUST DUCT
29	1	54D115	RH LOAD DOOR
30	1	54D116	LH LOAD DOOR



		ALTORFER POWER SYSTEMS 6315 W. FAUBER RD. PHONE (309) 697-1234 BARTONVILLE, IL 61807 FAX (309) 282-7546	
THIS DOCUMENT CONTAINS PROPRIETARY INFORMATION OF ALTORFER, INC. WITHOUT THE WRITTEN PERMISSION OF ALTORFER, INC. ANY COPYING OR OTHER USE EXCEPT THAT FOR WHICH IT WAS INTENDED IS PROHIBITED.		PROJECT REFERENCE DF/49D APS150 RENTAL PACKAGE	
ALL DIMENSIONS IN INCHES UNLESS OTHERWISE SPECIFIED	TOLERANCES: XX ± 0.100 XXX ± 0.060 XXXX ± 0.005	SCALE/SHEET SIZE 1=20/D SHEET 1 OF 1	DRAWN BY B. LOHNES DATE 01-28-09
CHANGE NOTICE ANGLAR ± 1°	THIRD ANGLE PROJECTION	SCALE/SHEET SIZE 1=20/D SHEET 1 OF 1	QUOTE NUMBER - WORK ORDER NUMBER - DRAWING NUMBER 49D100
TITLE APS150 SOUND FOAM KIT		DRAWING NUMBER 49D100	