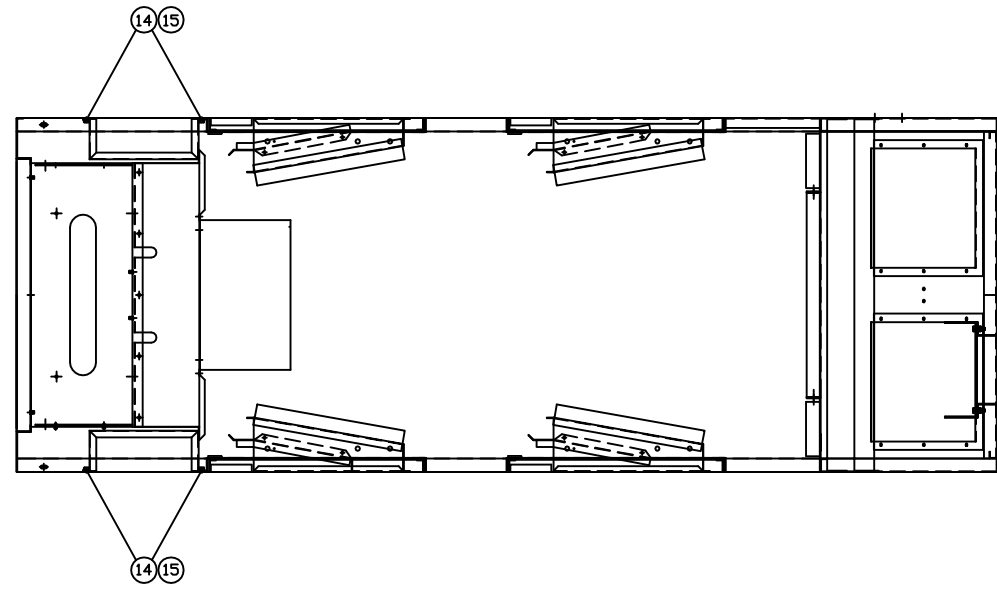
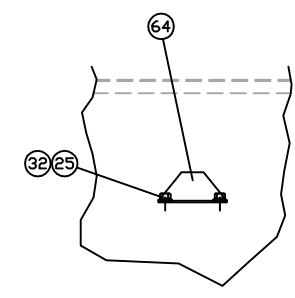


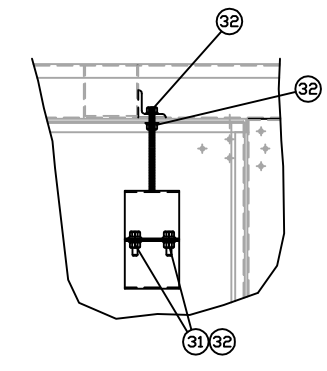
VIEW C-C
TYP. 4 PLACES
(SCALE 2X)



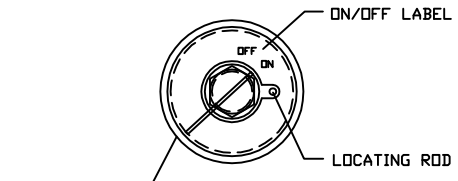
TOP VIEW
SHOWN WITH ROOF AS. REMOVED



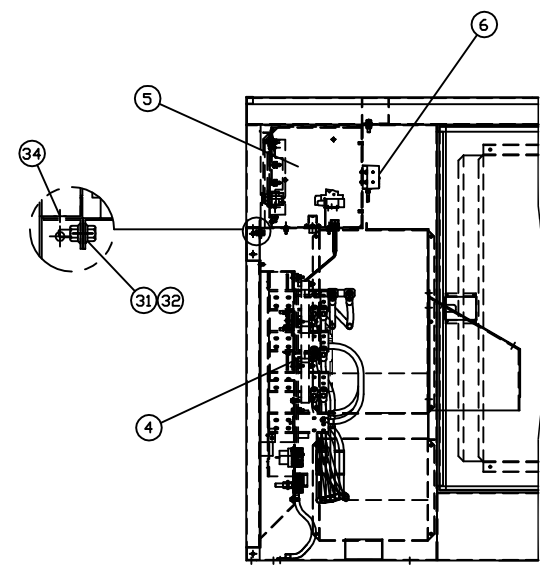
DETAIL B
(SCALE 2X)



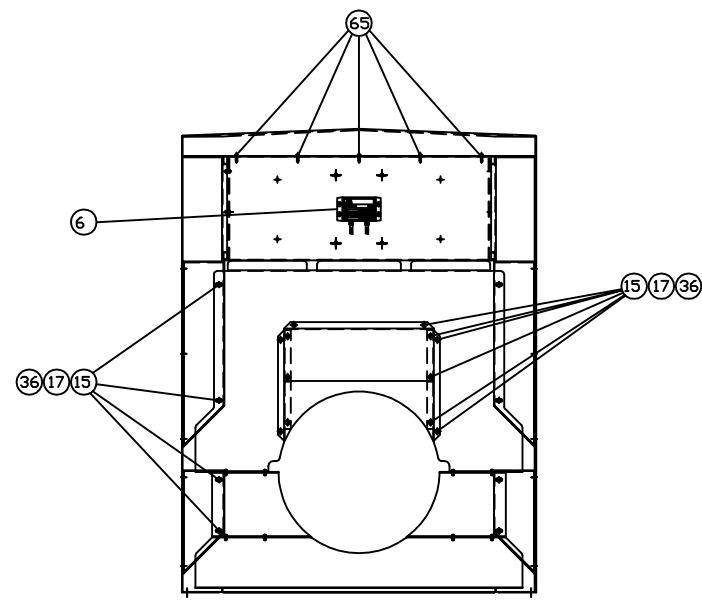
DETAIL G
(SCALE 2X)



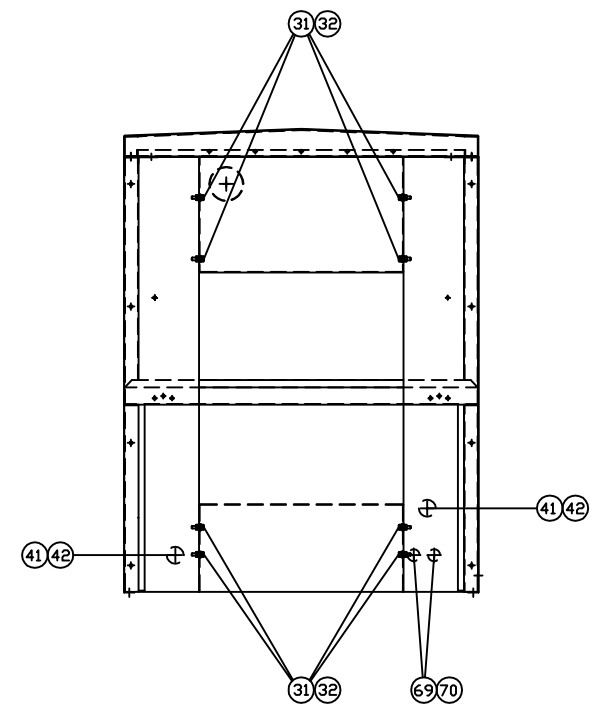
DETAIL F
(SCALE 2X)



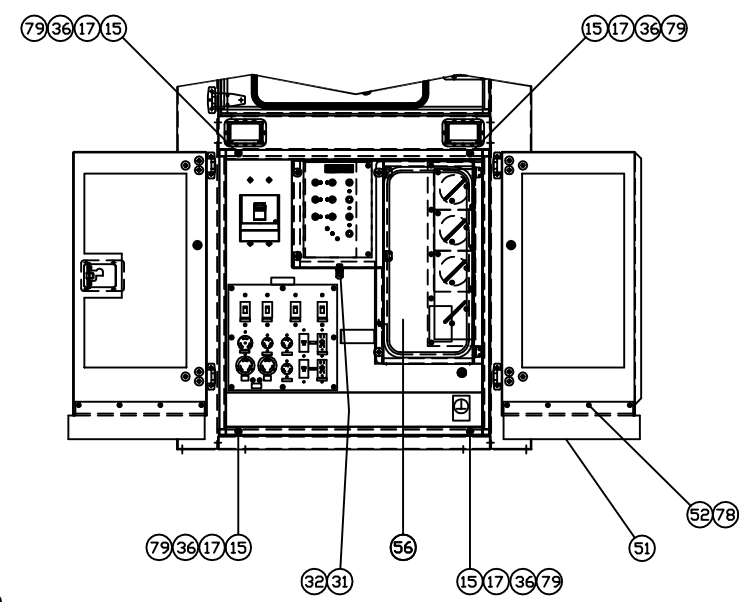
VIEW A-A



VIEW D-D



VIEW E-E



REAR VIEW
WITH LOAD DOORS OPEN

REVISION		
1E0507	IDENT	
1E0011	INTPR & TOL	
MANUFACTURING SPECIFICATIONS		

		ALTORFER POWER SYSTEMS 6315 W. FAUBER RD. PHONE (309) 697-1234 BARTONVILLE, IL 61607 FAX (309) 282-7546		
THIS DOCUMENT CONTAINS PROPRIETARY INFORMATION OF ALTORFER, INC. WITHOUT THE WRITTEN PERMISSION OF ALTORFER, INC., ANY COPYING OR OTHER USE EXCEPT THAT FOR WHICH IT WAS INTENDED IS PROHIBITED.				
CHANGE NOTICE ALL DIMENSIONS IN INCHES UNLESS OTHERWISE SPECIFIED TOLERANCES: X.X ± 0.100 X.XX ± 0.060 X.XXX ± 0.005 ANGULAR ± 1°	FILE DF/49A	PROJECT REFERENCE APS150A REFURB RENTAL UNIT		
	SCALE/SHEET SIZE 1=20/C	DRAWN BY B. LDHNS	ENGINEERING STATUS PROTO PET PROD 0 0 X	
	SHEET 2 OF 2	DATE 11/14/2016	DRAWING NUMBER 49A306-B1	
	TITLE APS150A DUAL VOLTAGE ENCLOSURE GROUP			