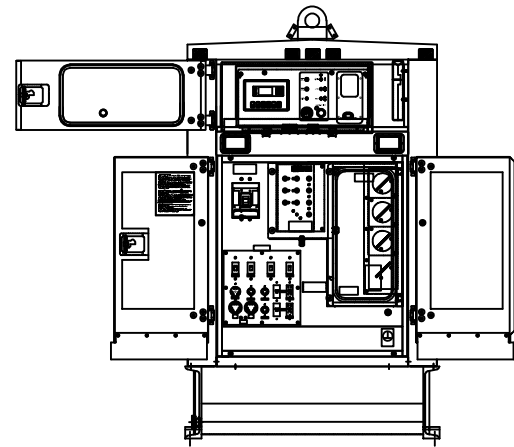
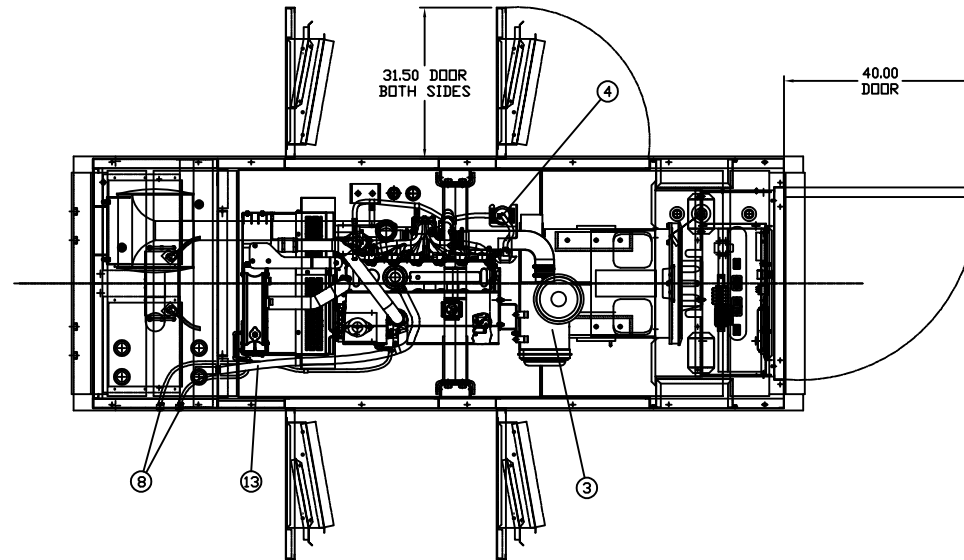


ITEM	QTY.	PART No.	DESCRIPTION	WEIGHT
1	1	101-2845	BULK COOLANT	
2	1	49A103	GENERATOR COUPLING GROUP	
3	1	49A104	AIR CLEANER MOUNTING GROUP	
4	1	49A105	JACKET WATER HEATER MOUNTING GROUP	
5	1	49A303	APS150A REFURB ENGINE HARNESS MTG. GP.-EMCP42	
6	1	49A107	BASE MOUNTING GROUP	
7	1	49A108	LIFT ARCH MOUNTING GROUP	
8	1	49A109	OIL AND WATER DRAINS GROUP	
9	1	49A310	STARTING BATTERY GROUP	
10	1	49A306	APS150A REFURB DV ENCLOSURE GROUP	
11	1	49A316	APS150A REFURB DV ENCLOSURE MOUNTING GROUP	
12	1	49A119	APS150 FUEL LINES RGDP	
13	1	49A120	APS150 FUMES DISPOSAL GROUP	
14	1	49A122	JACKET WATER HEATER WIRING GROUP	
15	1	49A307	APS150A REFURB DV RENTAL PKG. MARKINGS GROUP	

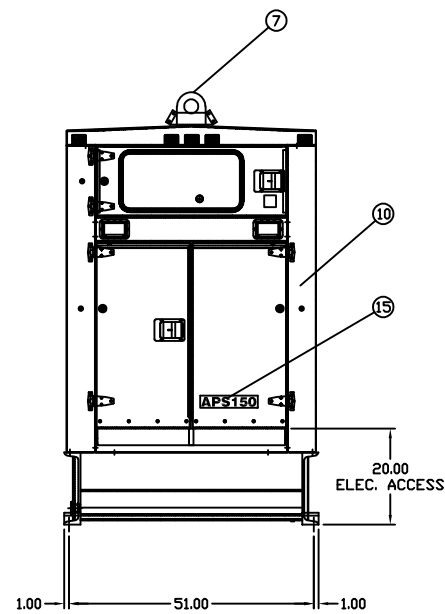
PACKAGE WEIGHTS:
 GENERATOR SET PACKAGE WITHOUT TRAILER NO FUEL= 7,860 lbs.
 GENERATOR SET PACKAGE WITHOUT TRAILER FULL FUEL= 10,110 lbs.



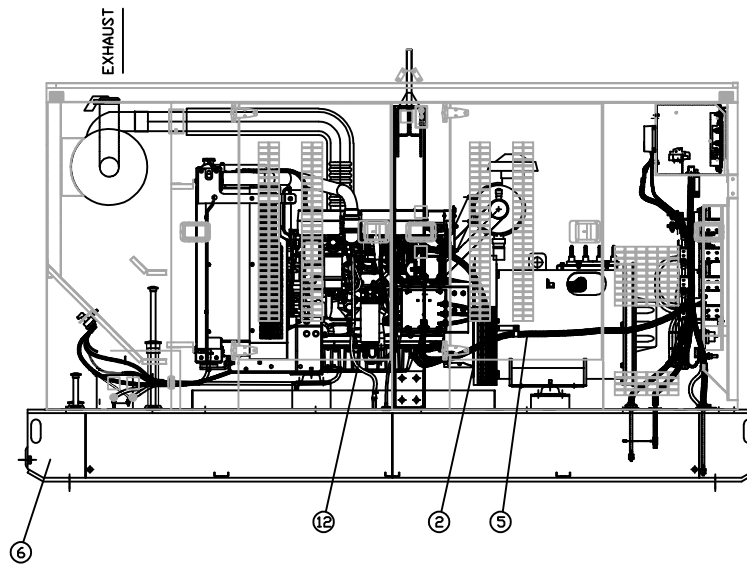
REAR VIEW
WITH LOAD DOORS OPEN



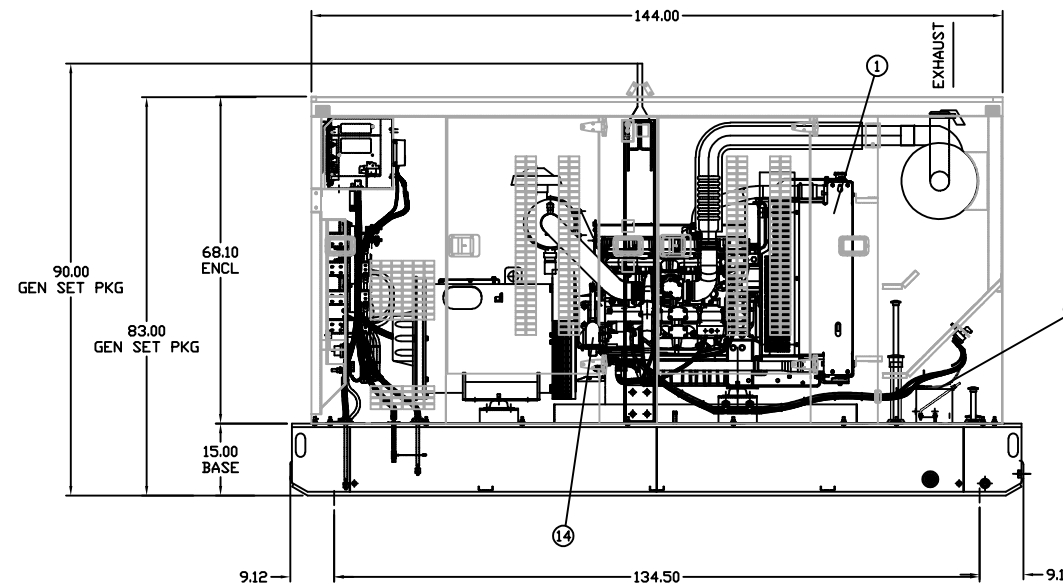
TOP VIEW
SHOWN WITH ROOF AS. REMOVED



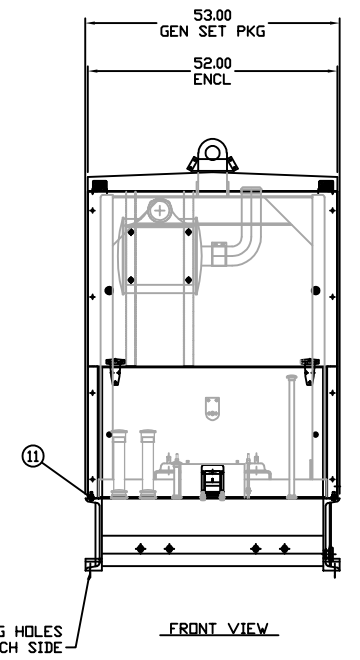
REAR VIEW



LEFT SIDE



RIGHT SIDE



FRONT VIEW

Ø1.00 MTG HOLES
2-EACH SIDE

		ALTORFER POWER SYSTEMS 6315 W. FAUBER RD. PHONE (309) 697-1234 BARTONVILLE, IL 61807 FAX (309) 292-7546			
		THIS DOCUMENT CONTAINS PROPRIETARY INFORMATION OF ALTORFER, INC. WITHOUT THE WRITTEN PERMISSION OF ALTORFER, INC., ANY COPYING OR OTHER USE EXCEPT THAT FOR WHICH IT WAS INTENDED IS PROHIBITED.			
CHANGE NOTICE ALL DIMENSIONS IN INCHES UNLESS OTHERWISE SPECIFIED TOLERANCES: .XX ± 0.100 .XXX ± 0.060 .XXX ± 0.005 ANGULAR ± 1°	FILE DF/49A	PROJECT REFERENCE APS150A REFURB RENTAL PACKAGE	DRAWN BY B. LOHNES	ENGINEERING STATUS PROTO 0 PET 0 PROD 0	
	SCALE/SHEET SIZE 1=20/D SHEET 1 OF 1	DATE 02-10-12	DRAWING NUMBER 49A300		
	TITLE APS150A DUAL VOLTAGE RENTAL PACKAGE ARRANGEMENT				