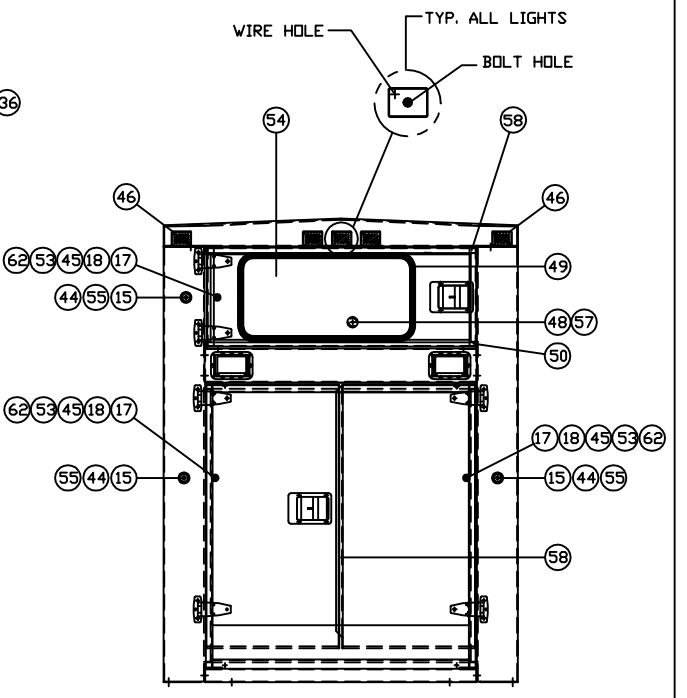
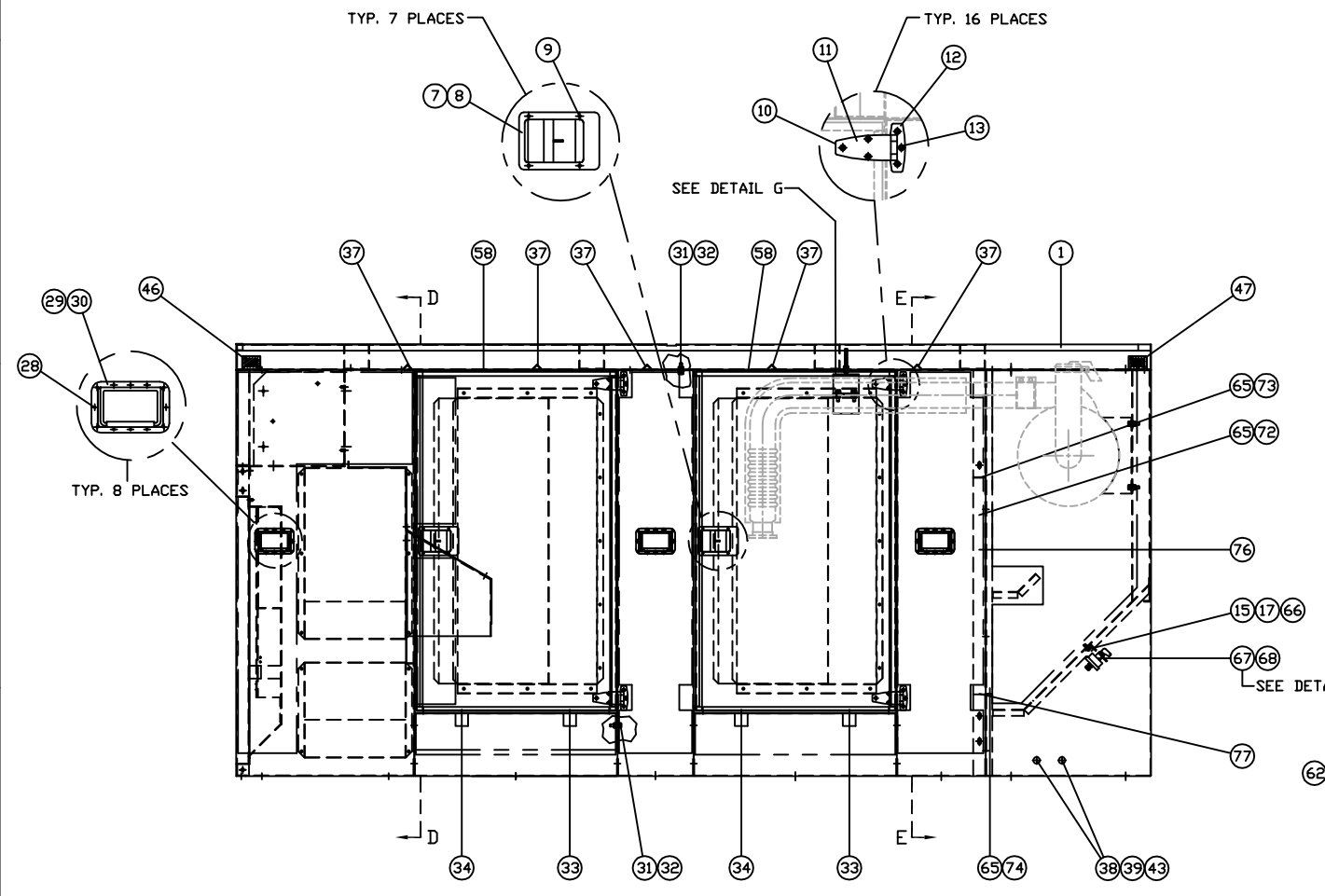


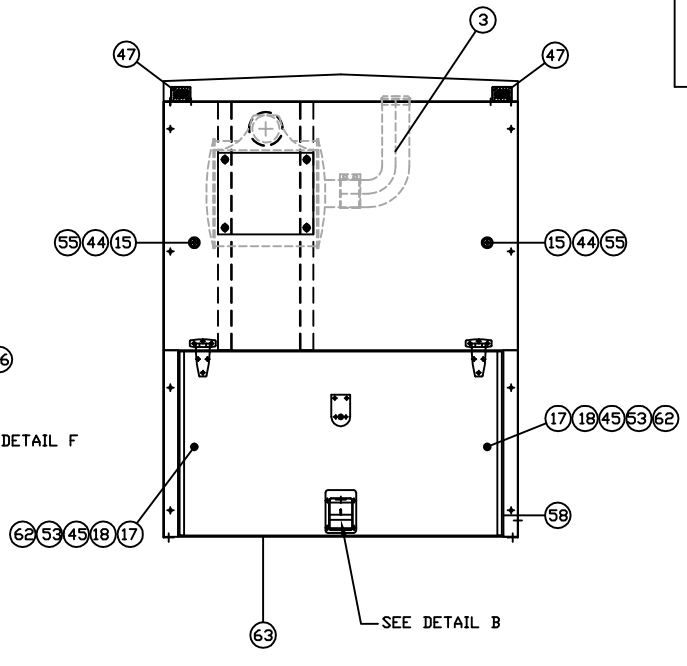
TOP VIEW



REAR VIEW



RIGHT SIDE VIEW

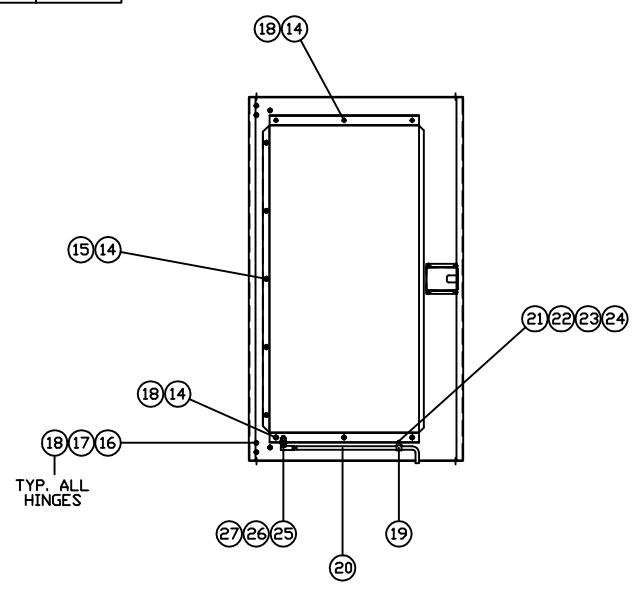


FRONT VIEW

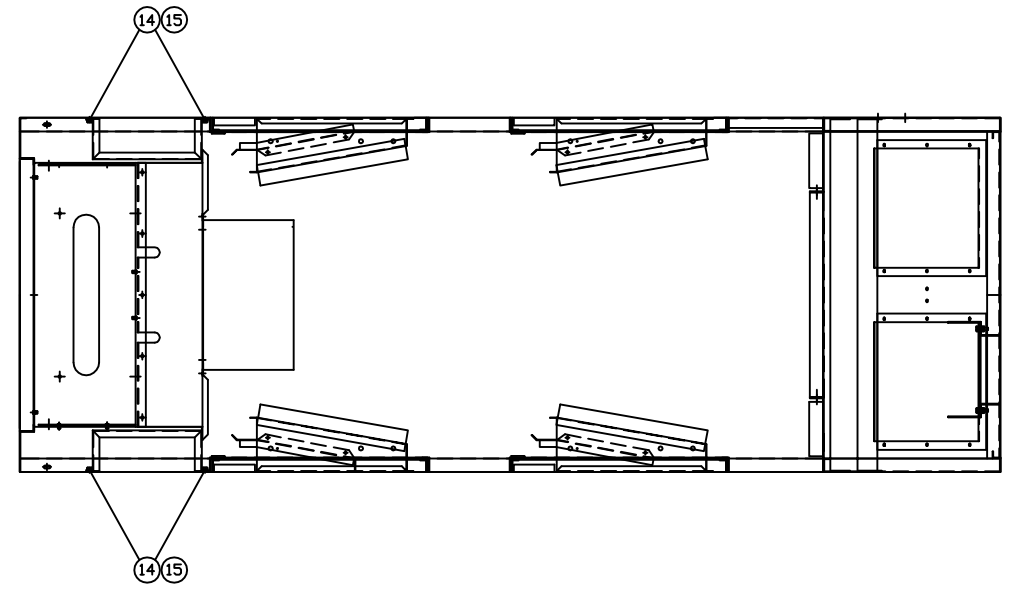
ITEM	QTY.	DESCRIPTION	WEIGHT
1	1	49C100 - APS150 ENCLOSURE PARTS GROUP	2,055
2	1	49D100 - APS150 SOUND FOAM KIT INSTALATION	-
3	1	49A114 - APS150 ENGINE EXHAUST GROUP	174
4	1	49A204 - APS150 DUAL VOLTAGE LOAD PAN MOUNTING GROUP	313
5	1	49A205 - APS150 DUAL VOLTAGE CONTROL PANEL MOUNTING GROUP	182
6	1	49A115 - APS150 BATTERY CHARGER MOUNTING GROUP	12
7	7	12059-01 - BLACK PADLOCKABLE ENCLOSURE SLAM LATCH	-
8	7	54D150 - LATCH GASKET	-
9	28	9M-5733 - 3/16" S.S. PDP RIVET	-
10	16	54D146 - DOOR HINGE GASKET	-
11	16	317-5769 - BLACK DOOR HINGE	-
12	16	54D147 - HINGE GASKET - WALL	-
13	96	033-8755 - 1/4-20NCx1.00 S.S. TAPER PHILLIPS HEAD SCREW	-
14	56	70860 - 1/4-20NC S.S. NYLON LOCK NUT	-
15	71	224-6797 - 1/4" S.S. FLAT WASHER	-
16	50	317-5699 - 1/4-20NC S.S. NUT	-
17	99	317-5698 - 1/4" S.S. LOCK WASHER	-
18	93	317-5700 - 1/4" S.S. NEOPREME BACKED FLAT WASHER	-
19	4	5W1943 - DOOR KEEP ROD STORAGE CLIP	-
20	4	5W4315 - DOOR KEEP ROD GROUP	-
21	4	70706 - #8-32 S.S. NUT	-
22	12	71007 - #8 S.S. FLAT WASHER	-
23	4	71057 - #8 S.S. LOCK WASHER	-
24	4	170543 - #8-32x.50 S.S. TRUSS HEAD SCREW	-
25	8	377-4313 - 3/8" S.S. NEOPREME BACKED FLAT WASHER	-
26	4	71067 - 3/8" S.S. LOCK WASHER	-
27	4	70732 - 3/8-24NF S.S. NUT	-
28	96	012-6271 - 1/8" S.S. PDP RIVET	-
29	8	T502HNDL - BLACK GRAB HANDLE	-
30	8	54D149 - GRAB HANDLE GASKET	-
31	63	345-8531 - 3/8-16NCx1 WHIZLOCK BOLT	-
32	66	198-2970 - 3/8-16NC WHIZLOCK NUT	-
33	4	3P-9554 - RUBBER DOOR ROD KEEP GROMMET	-
34	6	FT207 - 3/4" WHITE NYLON HOLE PLUG	-
35	160	P8212 - 3/4"Wx1/8"THK BLK SELF ADHESIVE NEOPREME FOAM GSKT	-
36	43	70005 - 1/4-20NCx1.00 S.S. BOLT	-
37	5	58C148 - ROOF FOAM SUPPORT	5
38	2	82257 - 3/4" BRASS HEX PLUG	-
39	2	28872 - 3/4" BRASS PIPE ADAPTER	-
40	1	52E206-01 - ENCLOSURE WIRE HARNESS ASSEMBLY	4
41	2	ECHA12 - 2.00" OZ BUSHING - MALE END	-
42	2	ECHA242 - 2.00" OZ BUSHING - FEMALE END	-
43	2	91465K24 - BARBED FITTING 3/4" PIPE TO 5/8" HOSE	-
44	5	9R8537 - DOOR KEEP SOCKET	-
45	5	9R8538 - DOOR KEEP PLUNGER	-
46	7	T114R - RED MARKER LIGHT	-
47	4	T114A - AMBER MARKER LIGHT	-
48	1	4W9908 - EXTERIOR EMERGENCY STOP BUTTON ASSEMBLY	-
49	72	AS-990 - WINDOW GROMMET	-
50	40	3100B3X1/8E - BLACK DOOR GASKETING	-
51	2	54C248 - FLAP - LOAD DOOR	1
52	8	0183807 - LICENSE PLATE BOLT	-
53	5	27515 - M6-30x2.00 S.S. METRIC BOLT	-
54	1	52C178 - CONTROL PANEL - WINDOW	4
55	5	170591 - 1/4-20NCx1.00 S.S. PHILLIPS TRUSS HEAD SCREW	-
56	1	49A121 - LOAD DOOR MOUNTING GROUP	27
57	1	STOP-ROD - EMERGENCY STOP ROD	-
58	85	21938AA - WHITE 3/8"W SELF ADHESIVE DOOR GASKETING	-
59	1	MBC-19 - BATTERY CHARGER	-
60	4	70001 - 1/4-20NCx.50 S.S. BOLT	-
61	4	104-6564 - SHOCK MOUNTS	-
62	5	MW2550000A20000 - M6-30 S.S. NUT	-
63	150	8431A63 - TRIM LOCK	-
64	1	52C176 - CATCH BATTERY DOOR	1
65	30	269771 - 1/4-20NC SELF TAPPING SCREWS	-
66	2	5P-9960 - 1/4-20NCx.75 S.S. BOLT	-
67	1	114-8821 - BATTERY SWITCH ON/OFF LABEL	-
68	1	7N-0718 - BATTERY SWITCH ASSEMBLY	-
69	2	ECHA1114 - 1.25" OZ BUSHING - MALE END	-
70	2	ECHA24114 - 1.25" OZ BUSHING - FEMALE END	-
71	1	229-6868 - RADIATOR COVER	72
72	2	49C158 - RUBBER DUCTING - SIDES	-
73	1	49C159 - RUBBER DUCTING - TOP	-
74	1	49C160 - RUBBER DUCTING - BOTTOM	-
76	2	49C140 - STRAP DUCT SIDE	-
77	2	49C141 - STRAP DUCT TOP/BOTTOM	-
78	8	0184617 - LICENSE PLATE NUT	-
79	4	94709A516 - 3/8" NEOPREME WASHER	-

TOTAL WEIGHT 2,850 lbs.

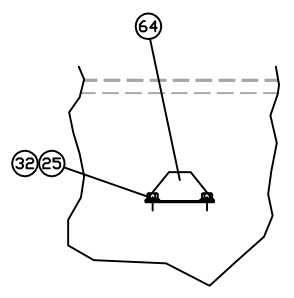
		<b>ALTORFER POWER SYSTEMS</b> 6315 W. FAUBER RD. PHONE (309) 697-1234 BARTONVILLE, IL 61607 FAX (309) 282-7546		
CHANGE NOTICE 1	THIS DOCUMENT CONTAINS PROPRIETARY INFORMATION OF ALTORFER, INC. WITHOUT THE WRITTEN PERMISSION OF ALTORFER, INC., ANY COPYING OR OTHER USE EXCEPT THAT FOR WHICH IT WAS INTENDED IS PROHIBITED.	FILE DF/49A	PROJECT REFERENCE APS150A RENTAL PACKAGE	
	ALL DIMENSIONS IN INCHES UNLESS OTHERWISE SPECIFIED	SCALE/SHEET SIZE 1=20/C	DRAWN BY B. LOHNES	
	TOLERANCES: .XX ± 0.100 .XXX ± 0.060 .XXXX ± 0.005	THIRD ANGLE PROJECTION	DATE 01/31/12	QUOTE NUMBER - WORK ORDER NUMBER -
	ANGULAR ± 1°	SHEET 1 OF 2	TITLE APS150A DUAL VOLTAGE ENCLOSURE GROUP	DRAWING NUMBER 49A206-A1



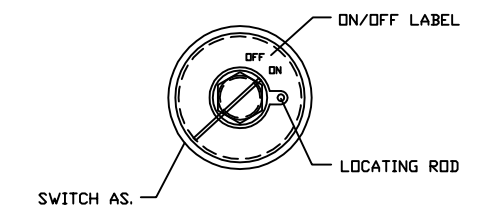
VIEW C-C  
TYP. 4 PLACES  
(SCALE 2X)



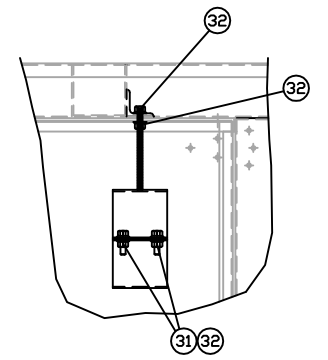
TOP VIEW  
SHOWN WITH ROOF AS. REMOVED



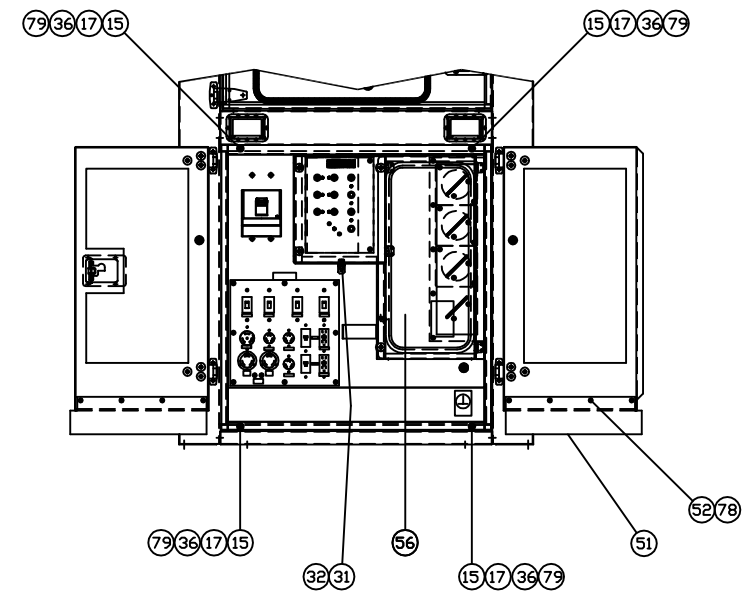
DETAIL B  
(SCALE 2X)



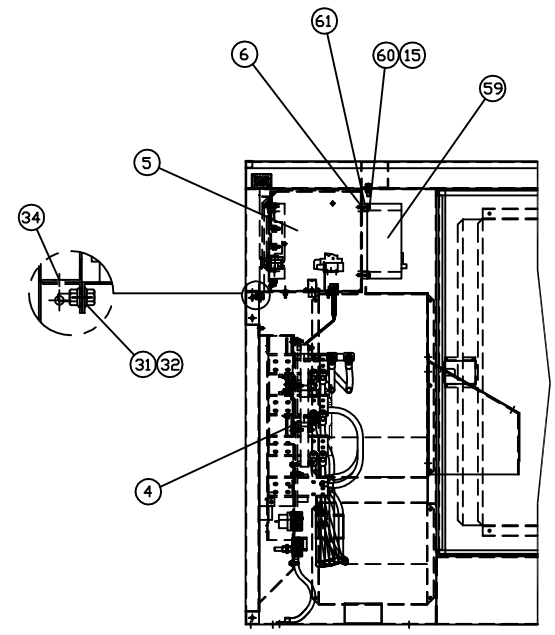
DETAIL F  
(SCALE 2X)



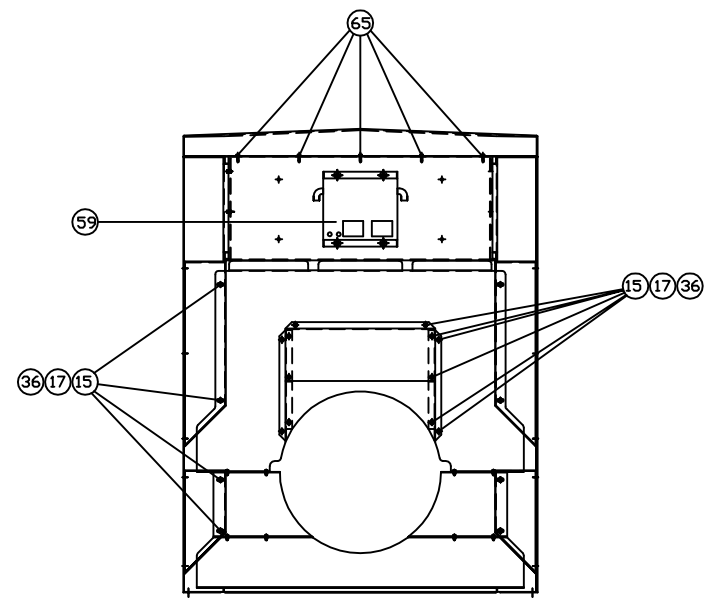
DETAIL G  
(SCALE 2X)



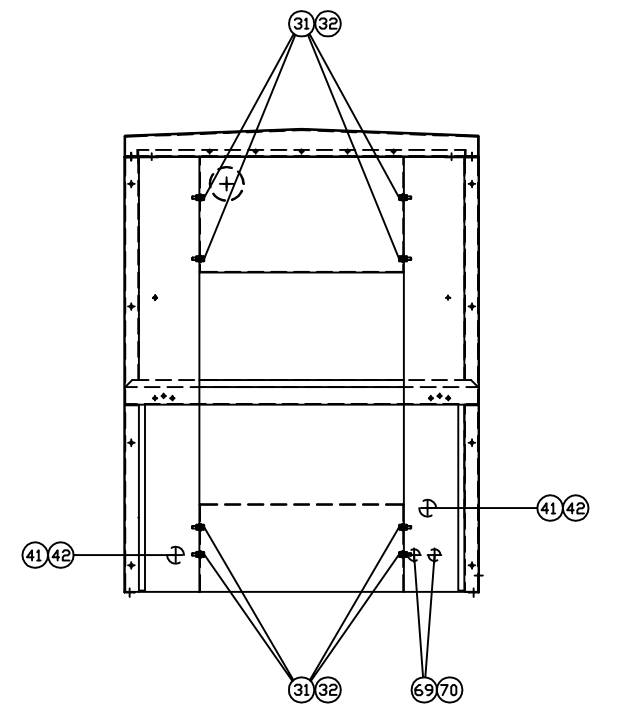
REAR VIEW  
WITH LOAD DOORS OPEN



VIEW A-A



VIEW D-D



VIEW E-E

		<b>ALTORFER POWER SYSTEMS</b> 6315 W. FAUBER RD.      PHONE (309) 697-1234 BARTONVILLE, IL 61607      FAX (309) 282-7546				
		THIS DOCUMENT CONTAINS PROPRIETARY INFORMATION OF ALTORFER, INC. WITHOUT THE WRITTEN PERMISSION OF ALTORFER, INC. ANY COPYING OR OTHER USE EXCEPT THAT FOR WHICH IT WAS INTENDED IS PROHIBITED.		ALL DIMENSIONS IN INCHES UNLESS OTHERWISE SPECIFIED		
CHANGE NOTICE 1	DATE BY	FILE DF/49A	PROJECT REFERENCE APS150A RENTAL PACKAGE			
	TOLERANCES: .XX ± 0.100 .XXX ± 0.060 .XXXX ± 0.005	THIRD ANGLE PROJECTION	SCALE/SHEET SIZE 1=20/C	DRAWN BY B. LOHNES	QUOTE NUMBER -	
	ANGULAR ± 1°		SHEET 2 OF 2	DATE 01/31/12	WORK ORDER NUMBER -	
	TITLE APS150A DUAL VOLTAGE ENCLOSURE GROUP				DRAWING NUMBER 49A206-B1	