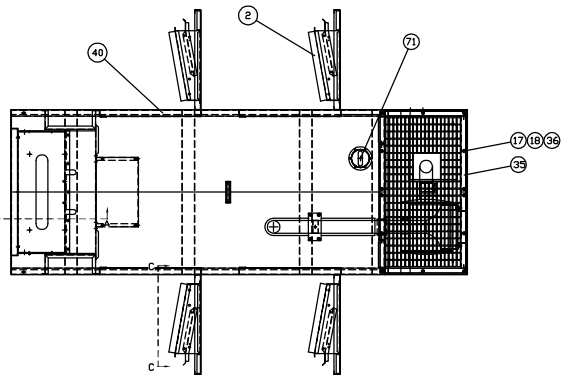
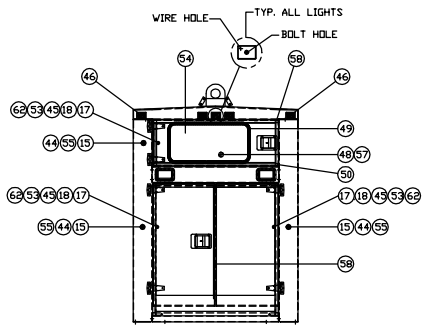


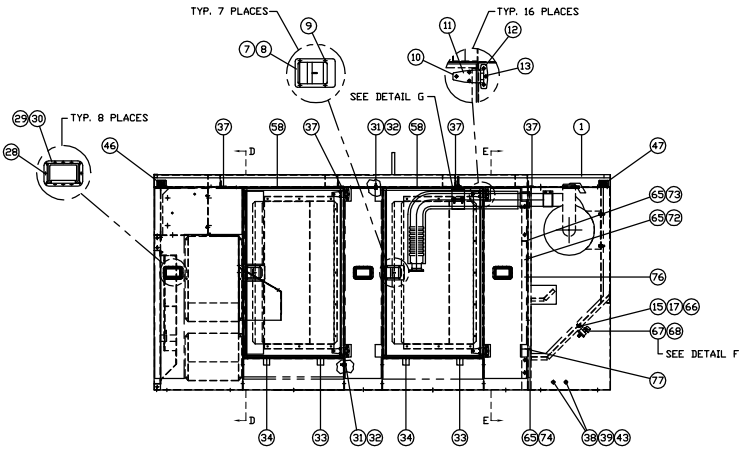
INCH 49A113-A1



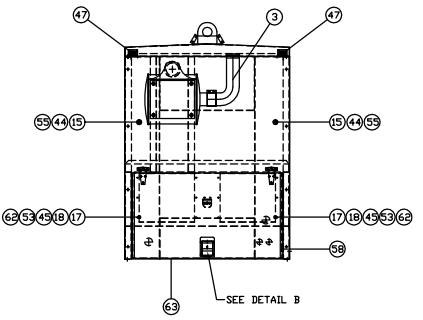
TYP. VIEW
SHOWN WITH ROOF AS. REMOVED



REAR VIEW



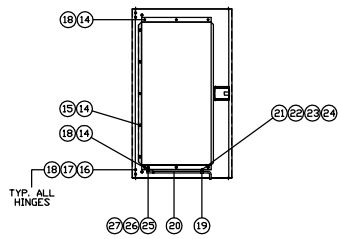
RIGHT SIDE VIEW



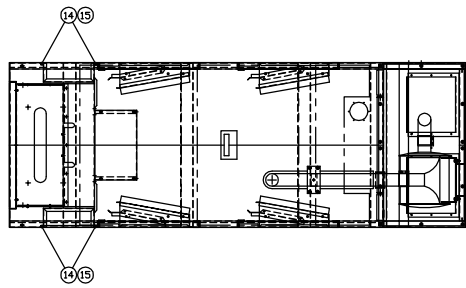
FRONT VIEW

COMP	QTY	DESCRIPTION	WEIGHT
1	1	49C100 - APS150 ENCLDURE PARTS GROUP	2,055
2	1	49D100 - APS150 SOUND FOAM KIT INSTALLATION	-
3	1	49A114 - APS150 ENGINE EXHAUST GROUP	174
4	1	49A111 - APS150 DUAL VOLTAGE LOAD PAN MOUNTING GROUP	313
5	1	49A112 - APS150 DUAL VOLTAGE CONTROL PANEL MOUNTING GROUP	182
6	1	49A115 - APS150 BATTERY CHARGER MOUNTING GROUP	12
7	7	12099-01 - BLACK PADLOCKABLE ENCLDURE SLAM LATCH	-
8	7	54D150 - LATCH GASKET	-
9	28	53B663 - 3/16" S.S. POP RIVET	-
10	16	54D146 - DOOR HINGE GASKET	-
11	16	15269-01 - BLACK DOOR HINGE	-
12	16	54D147 - HINGE GASKET - WALL	-
13	36	51586 - 1/4-20NCX1.00 S.S. TAPER PHILLIPS HEAD SCREW	-
14	56	301 - 1/4-20NC S.S. NYLON LOCK NUT	-
15	71	501 - 1/4" - 3" FLAT WASHER	-
16	50	95677 - 1/4-20NC S.S. NUT	-
17	99	528 - 1/4" S.S. LOCK WASHER	-
18	97	272385 - 1/4" S.S. NEOPRENE BACKED FLAT WASHER	-
19	4	5V1943 - DOOR KEEP ROD STORAGE CLIP	-
20	4	5V4315 - DOOR KEEP ROD GROUP	-
21	4	1209 - #8-32 S.S. NUT	-
22	12	523 - #8 S.S. FLAT WASHER	-
23	4	526 - #8 S.S. LOCK WASHER	-
24	4	90D61 - #8-32X50 S.S. TRUSS HEAD SCREW	-
25	8	272385 - 3/8" S.S. NEOPRENE BACKED FLAT WASHER	-
26	4	71067 - 3/8" S.S. LOCK WASHER	-
27	4	96475 - 3/8-24NC S.S. NUT	-
28	96	53B445 - 1/8" S.S. POP RIVET	-
29	8	502302600 - BLACK GRAB HANDLE	-
30	8	54D149 - GRAB HANDLE GASKET	-
31	63	54840 - 3/8-16NCX1 WHIZLOCK BOLT	-
32	66	272388 - 3/8-16NC WHIZLOCK NUT	-
33	4	3P2554 - RUBBER DOOR ROD KEEP GROMMET	-
34	6	FT207 - 3/4" WHITE NYLON HOLE PLUG	-
35	160 in	PR212 - 3/4"X1/8"THK BLK SELF ADHESIVE NEOPRENE FOAM GSKT	-
36	43	91008 - 1/4-20NCX1.00 S.S. BOLT	-
37	4	53C276 - ROOF FOAM SUPPORT	4
38	2	82257 - 3/4" BRASS HEX PLUG	-
39	2	28072 - 3/4" BRASS PIPE ADAPTER	-
40	1	52E206-01 - ENCLDURE WIRE HARNESS ASSEMBLY	4
41	2	ECHA12 - 2.00" OZ BUSHING - MALE END	-
42	2	ECHA42 - 2.00" OZ BUSHING - FEMALE END	-
43	2	91465K24 - BARBED FITTING 3/4" PIPE TO 5/8" HOSE	-
44	5	98S537 - DOOR KEEP SOCKET	-
45	5	98S538 - DOOR KEEP PLUNGER	-
46	7	T114R - RED MARKER LIGHT	-
47	4	T114A - AMBER MARKER LIGHT	-
48	1	4V9908 - EXTERIOR EMERGENCY STOP BUTTON ASSEMBLY	-
49	72 in	75000692 - WINDOW GROMMET	-
50	40 in	310B8X1/8E - BLACK DOOR GASKETING	-
51	2	54C248 - FLAP - LOAD DOOR	1
52	8	93342 - LICENSE FASTNER	-
53	5	27515 - M6-30x2.00 S.S. METRIC BOLT	-
54	1	52178 - CONTROL PANEL - WINDOW	4
55	5	51586 - 1/4-20NCX1.00 S.S. PHILLIPS TRUSS HEAD SCREW	-
56	1	49A121 - LOAD DOOR MOUNTING GROUP	27
57	1	STP-RDD - EMERGENCY STOP ROD	-
58	85 ft	21938AA - WHITE 3/8"W SELF ADHESIVE DOOR GASKETING	-
59	1	MB19 - BATTERY CHARGER	-
60	4	9106 - 1/4-20NCX3.0 S.S. BOLT	-
61	4	104-6564 - SHOCK MOUNTS	-
62	5	95223 - M6-30 S.S. NUT	-
63	150 in	8451A63 - TRIM LOCK	-
64	1	52C176 - CATCH BATTERY DOOR	1
65	30	269771 - 1/4-20NC SELF TAPPING SCREWS	-
66	2	91007 - 1/4-20NCX.75 S.S. BOLT	-
67	1	114-B821 - BATTERY SWITCH ON/OFF LABEL	-
68	1	7N0718 - BATTERY SWITCH ASSEMBLY	-
69	2	ECHA1114 - 1.25" OZ BUSHING - MALE END	-
70	2	ECHA4114 - 1.25" OZ BUSHING - FEMALE END	-
71	1	2256668 - RADIATOR COVER	-
72	2	49C158 - RUBBER DUCTING - SIDES	72
73	1	49C159 - RUBBER DUCTING - TOP	-
74	1	49C160 - RUBBER DUCTING - BOTTOM	-
76	2	49C140 - STRAP DUCT SIDE	-
77	2	49C141 - STRAP DUCT TOP/BOTTOM	-
TOTAL WEIGHT			2,849 lbs.

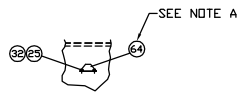
ALTORFER		ALTORFER POWER SYSTEMS		
6315 N. FAUBER RD. BARTONVILLE, IL 61807		PHONE (309) 697-1234 FAX (309) 282-7546		
CHANGE NOTICE	THIS DOCUMENT CONTAINS PROPRIETARY INFORMATION OF ALTORFER, INC. WITHOUT THE WRITTEN PERMISSION OF ALTORFER, INC., ANY COPYING OR OTHER USE EXCEPT THAT FOR WHICH IT WAS INTENDED IS PROHIBITED.	FILE	PROJECT REFERENCE	
	ALL DIMENSIONS IN INCHES UNLESS OTHERWISE SPECIFIED	DF 749A	APS150 RENTAL PACKAGE	
	TELEVISIONS	SCALE/SHEET SIZE	DRAWN BY	QUOTE NUMBER
	XX X 0100	ANGLE	B. LOHNES	
	XXXX X 0005	PROJECTION	DATE	WORK ORDER NUMBER
ANGULAR ± 1'	1 OF 2	01-20-09		
TITLE	DRAWING NUMBER			
APS150 DUAL VOLTAGE ENCLDURE GROUP		49A113-A1		



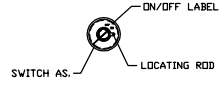
VIEW C-C
TYP. 4 PAGES



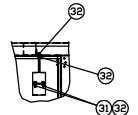
TOP VIEW
DRAWN WITH REF. TO 10000



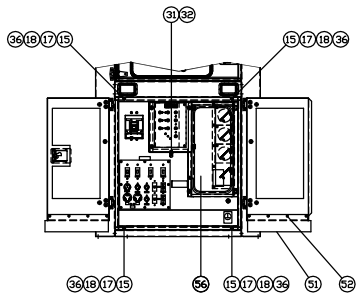
DETAIL B



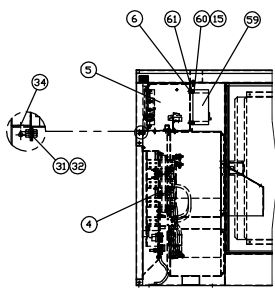
DETAIL F



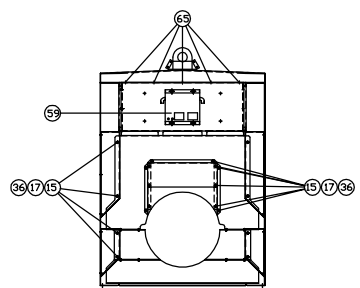
DETAIL G



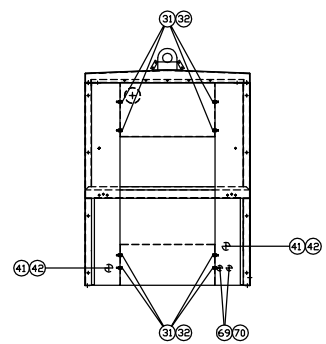
REAR VIEW
VIEW DRAW FROM 1000



VIEW A-A



VIEW D-D



VIEW E-E

		ALTORFER POWER SYSTEMS 6315 N. FAUBER RD. PHONE (309) 697-1234 BARTONVILLE, IL 61607 FAX (309) 282-7546	
CHANGE NOTICE ALL DIMENSIONS IN INCHES UNLESS OTHERWISE SPECIFIED TOLERANCES: XX & 0.100 ANGLE XXX & 0.060 PROJECTION XXXX & 0.005 ANGULAR ± 1°	FILE DF 49A	PROJECT REFERENCE APS150 RENTAL PACKAGE	
	SCALE/SHEET SIZE 1=20/D	DRAWN BY B. LOHNE	QUOTE NUMBER
	SHEET 2 OF 2	DATE 01-20-09	WORK ORDER NUMBER
	TITLE APS150 DUAL VOLTAGE ENCLOSURE GROUP	DRAWING NUMBER 49A113-B1	