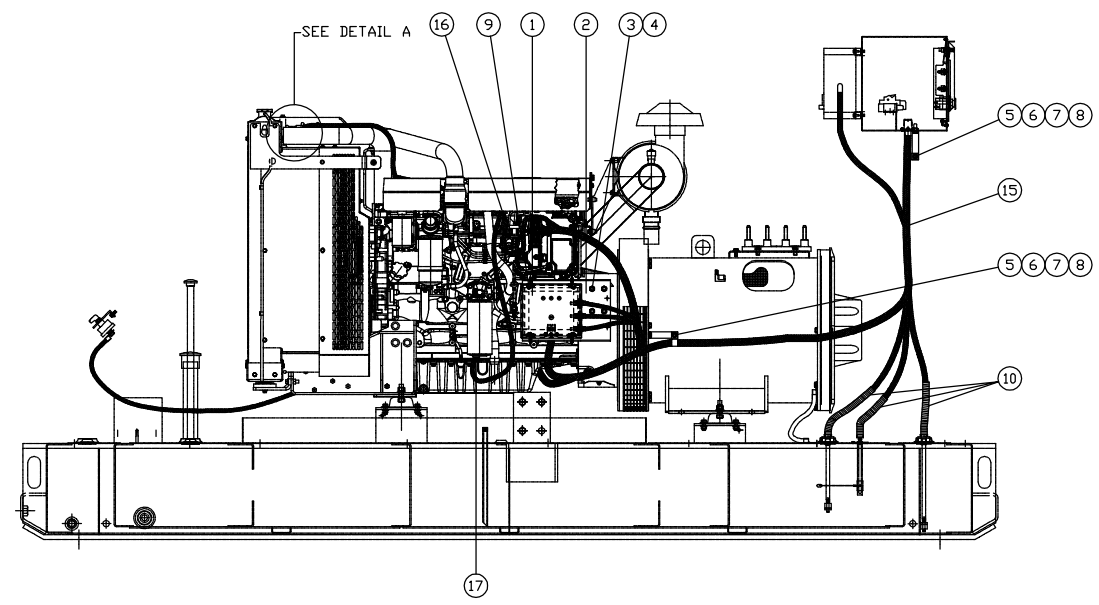
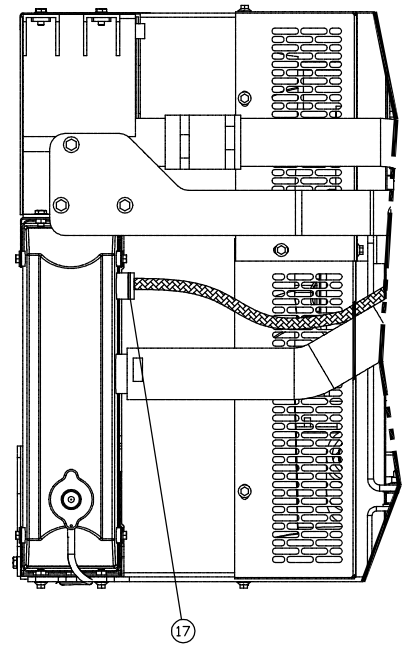


RIGHT SIDE VIEW



LEFT SIDE VIEW

ITEM	QTY.	PART NO.	DESCRIPTION	WEIGHT
1	1	49E102	DC POWER BOX	-
2	1	49C300	BRACKET - DC POWER BOX	-
3	4	8T4139	BOLT - M12x1.75"	-
4	4	8T4223	M12 FLAT WASHER	-
5	3	9N1394	SUPPORT BRACKET - 4.5"	-
6	3	17015	VINYL CLAMPS - 1"	-
7	3	54840	WHIZLOCK BOLT - 3/8"-16NCx1"	-
8	3	272388	WHIZLOCK NUT - 3/8"-16NC	-
9	4	51673	NUTSERT - 1/4"-20	-
10	3	80010	1" WIRE LOOM - 12"	-
11	2	8T4137	BOLT - M10x1.50"	-
12	2	5P1075	M10 FLAT WASHER	-
13	1	1712212	CIRCUIT BREAKER	-
14	2	6V7978	SCREW	-
15	1	49E103	ENGINE HARNESS	-
16	9	PLY4H-TL0	TY-RAPS MED. BLK.	-
17	1	313-1663	WATER IN FUEL SENSOR	-
18	1	308-3674	LOW COOLANT LEVEL SENSOR	-
19	1	49C306	CIRCUIT BREAKER - MOUNT	-



DETAIL A  
SCALE 3:1

		<b>ALTORFER POWER SYSTEMS</b> 6315 W. FAUBER RD. PHONE (309) 697-1234 BARTONVILLE, IL 61607 FAX (309) 282-7546			
		THIS DOCUMENT CONTAINS PROPRIETARY INFORMATION OF ALTORFER, INC. WITHOUT THE WRITTEN PERMISSION OF ALTORFER, INC., ANY COPYING OR OTHER USE EXCEPT THAT FOR WHICH IT WAS INTENDED IS PROHIBITED.			
CHANGE NOTICE TOLERANCES: XX ± 0.00 XXX ± 0.005 ANGLE PROJECTION ANGULAR ± 1°	ALL DIMENSIONS IN INCHES UNLESS OTHERWISE SPECIFIED	FILE DF/49A	PROJECT REFERENCE APS150 RENTAL PACKAGE		
	SCALE/SHEET SIZE 1=15/C	DRAWN BY B. LOHNES	QUOTE NUMBER 0		
	SHEET 1 OF 1	DATE 12-17-08	WORK ORDER NUMBER 0		
	TITLE APS150 ENGINE HARNESS MOUNTING GROUP			DRAWING NUMBER 49A106	