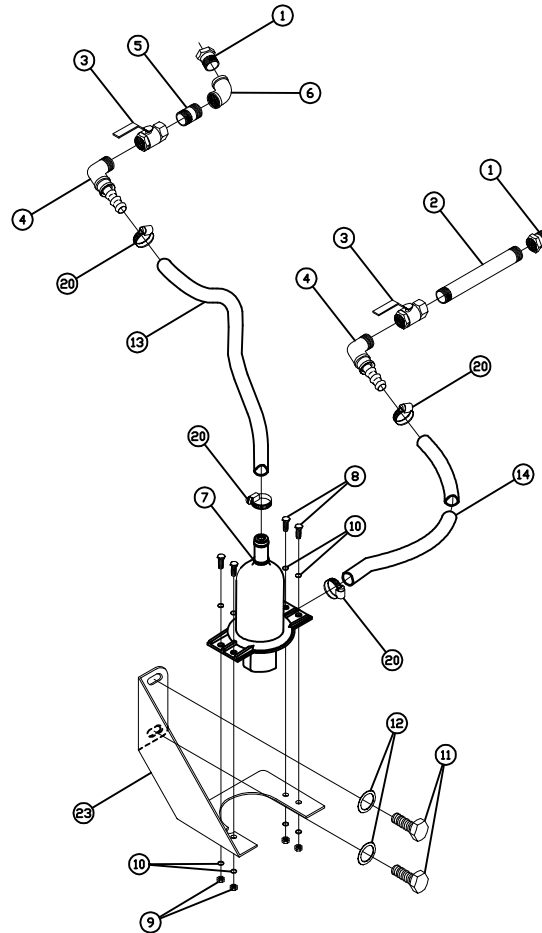
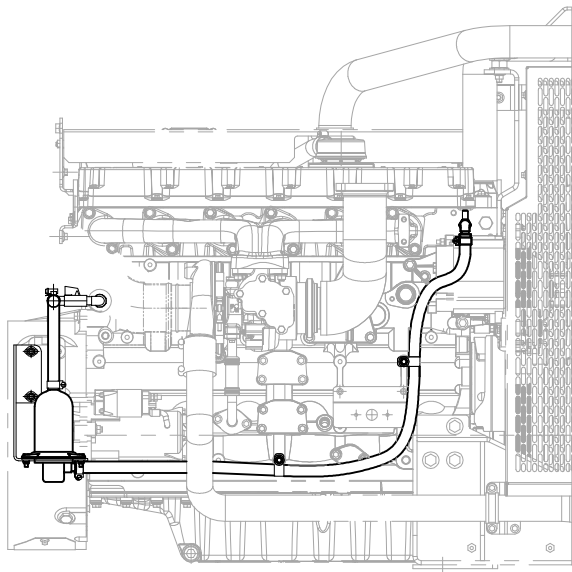
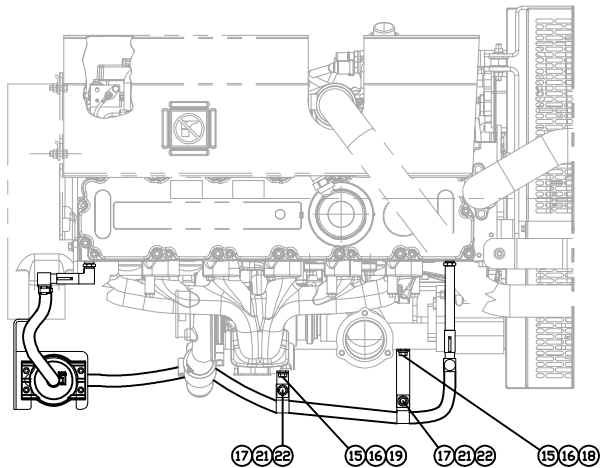


INCH 49A105-01



ITEM	QTY.	PART NO.	DESCRIPTION	WEIGHT
1	2	PHB1238	HEX BUSHING- 1/2" x 3/8"	-
2	1	PNPL386	NIPPLE- 3/8" x 6"	-
3	2	PBBV38	SHUTOFF VALVE- 3/8"	-
4	2	008-6904	BARBED ELBOW- 3/8"	-
5	1	PNPL38C	CLOSED NIPPLE- 3/8"	-
6	1	66202	90° ELBOW	-
7	1	258-6845	COOLANT HEATER 120V	-
8	4	8T-4138	BOLT- M6x1"	-
9	4	8T-7964	NUT- JAM M6x1"	-
10	8	9X-8256	WASHER	-
11	2	8T-4139	BOLT- 1-1/2"	-
12	2	8T-5360	WASHER	-
13	1	6V-8843	HOSE 12"	1
14	1	6V-8843	HOSE 42"	1
15	2	8T-4137	BOLT- M10x1.5"	-
16	2	5P-1075	WASHER	-
17	2	7C-4354	VINYL CLAMP	-
18	1	9N-1394	SUPPORT BRACKET- 4-1/2"	-
19	1	49C157	SUPPORT BRACKET- 2"	-
20	4	5D-1026	HOSE CLAMP- 1"	-
21	2	345-8531	WHIZLOCK BOLT- 3/8"-16NCx1"	-
22	2	198-2970	WHIZLOCK NUT- 3/8"-16NC	-
23	1	49C203-01	BRACKET - JACKET WATER HEATER	4

		ALTORFER POWER SYSTEMS 6315 W. FAUBER RD. PHONE (309) 697-1234 BARTONVILLE, IL 61607 FAX (309) 282-7546	
THIS DOCUMENT CONTAINS PROPRIETARY INFORMATION OF ALTORFER, INC. WITHOUT THE WRITTEN PERMISSION OF ALTORFER, INC., ANY COPYING OR OTHER USE EXCEPT THAT FOR WHICH IT WAS INTENDED IS PROHIBITED.			
ALL DIMENSIONS IN INCHES UNLESS OTHERWISE SPECIFIED		FILE DF/49A	PROJECT REFERENCE APS150 RENTAL PACKAGE
TOLERANCES: XX ± 0.100 XXX ± 0.060 XXXX ± 0.005	THIRD ANGLE PROJECTION	SCALE/SHEET SIZE 1=10/B	DRAWN BY B. LOHNES
ANGULAR ± 1°		SHEET 1 OF 1	DATE 11-24-08
TITLE JACKET WATER HEATER MOUNTING GROUP			QUOTE NUMBER - WORK ORDER NUMBER - DRAWING NUMBER 49A105-01