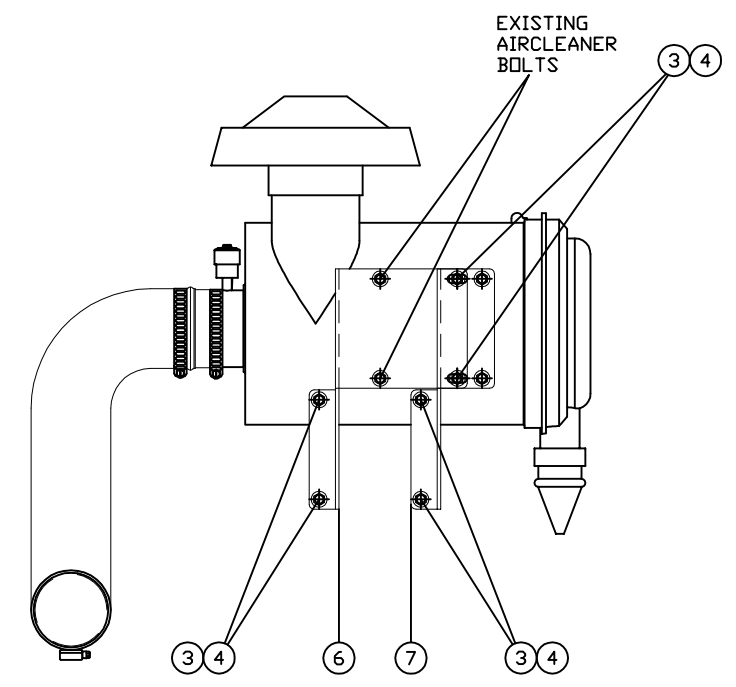
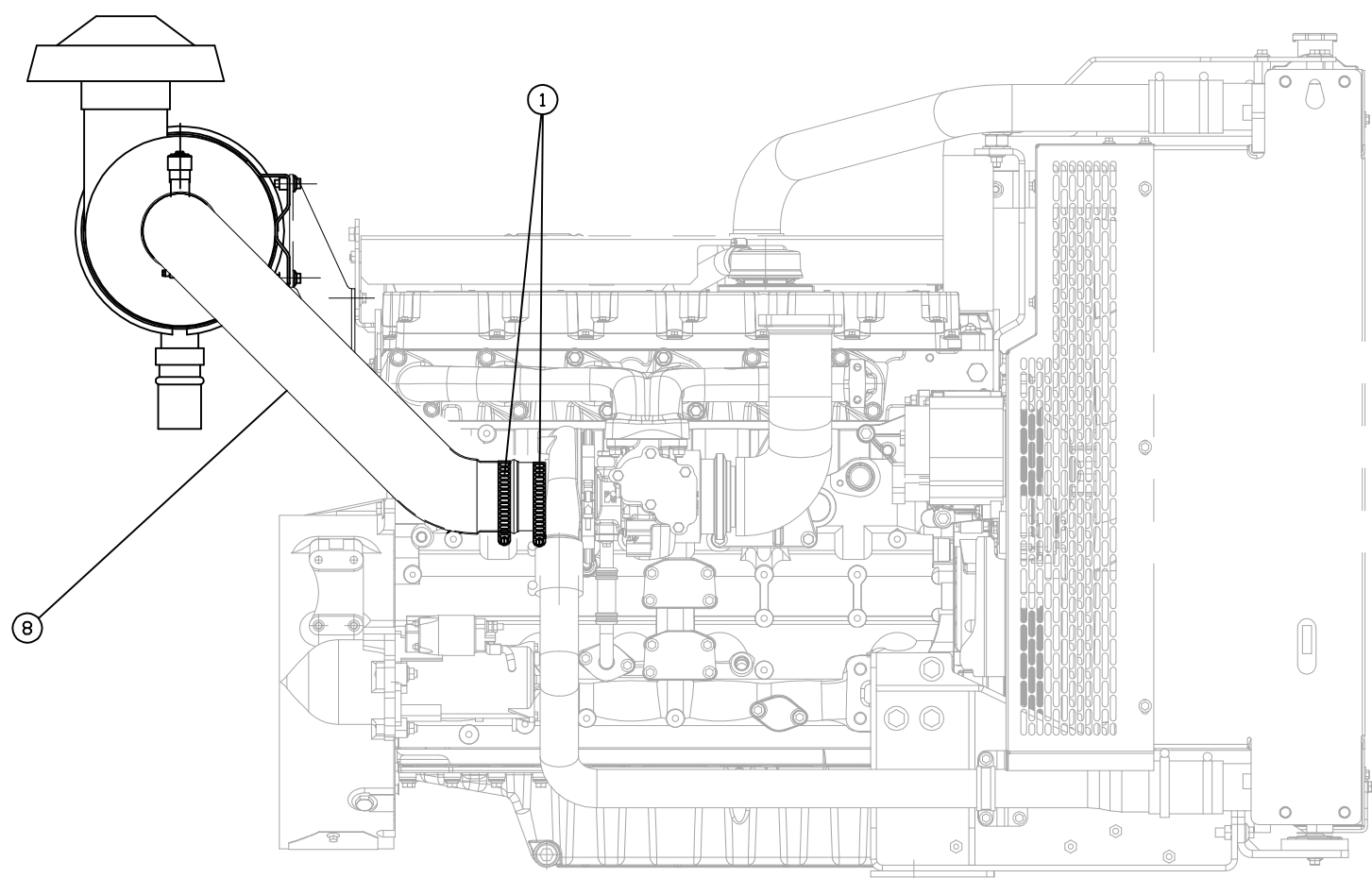
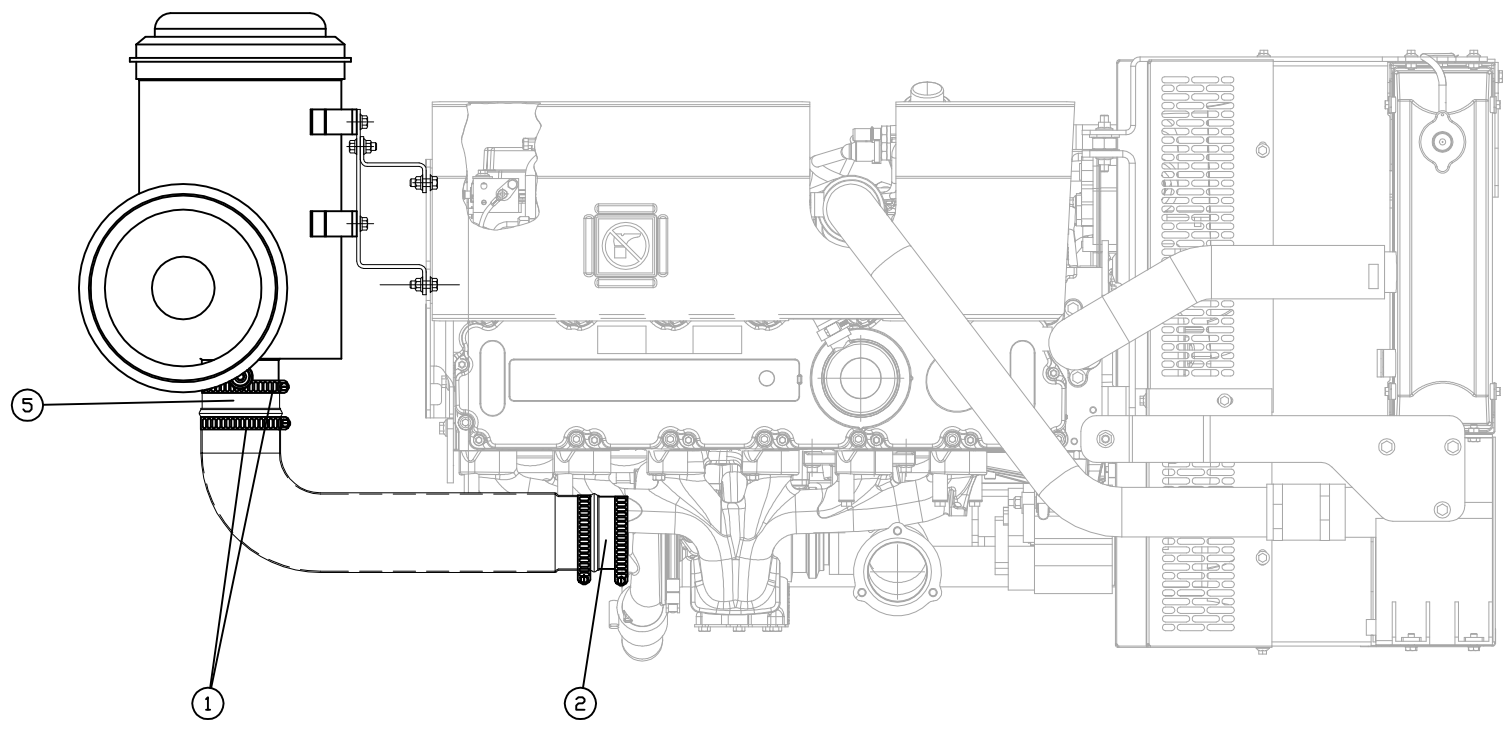


INCH 49A104

ITEM	QTY.	PART NO.	DESCRIPTION	WEIGHT
1	4	5P-1717	HOSE CLAMP	-
2	1	262-6228	HOSE	-
3	6	345-8531	3/8" WHIZLOCK BOLT	-
4	6	198-2970	3/8" WHIZLOCK NUT	-
5	1	5P-1267	HOSE	-
6	1	49C201	BRACKET - AIR CLEANER	-
7	1	49C202	BRACKET - AIR CLEANER SUPPORT	-
8	1	49C200	TUBE ASSEMBLY - INTAKE	-



DATE BY		ALTORFER		ALTORFER POWER SYSTEMS			
		6315 W. FAUBER RD. BARTONVILLE, IL 61607		PHONE (309) 697-1234 FAX (309) 282-7546			
CHANGE NOTICE		THIS DOCUMENT CONTAINS PROPRIETARY INFORMATION OF ALTORFER, INC. WITHOUT THE WRITTEN PERMISSION OF ALTORFER, INC., ANY COPYING OR OTHER USE EXCEPT THAT FOR WHICH IT WAS INTENDED IS PROHIBITED		FILE			
		ALL DIMENSIONS IN INCHES UNLESS OTHERWISE SPECIFIED		DF/49A			
		TOLERANCES: X.X ± 0.100 X.XX ± 0.060 X.XXX ± 0.005		SCALE/SHEET SIZE		PROJECT REFERENCE	
		ANGULAR ± 1°		1=10/B		APS150 RENTAL PACKAGE	
THIRD ANGLE PROJECTION		SHEET		DRAWN BY			
DATE		1 OF 1		B. LOHNES			
TITLE		APS150 AIR CLEANER MOUNTING GROUP		DATE			
				11-20-08			
				WORK ORDER NUMBER			
				-			
				DRAWING NUMBER			
				49A104			