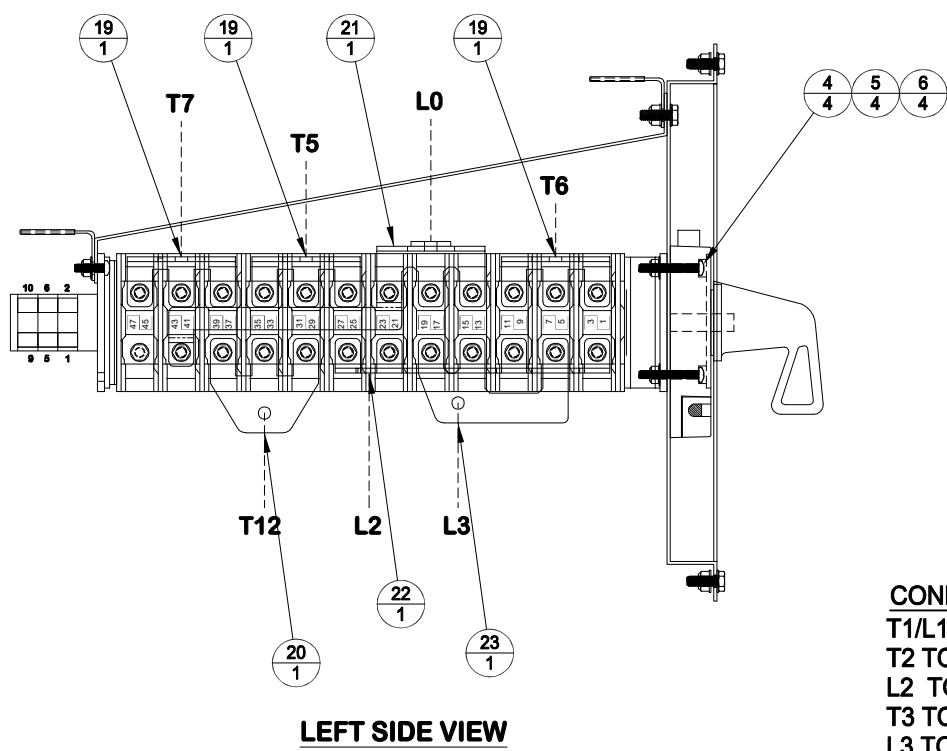
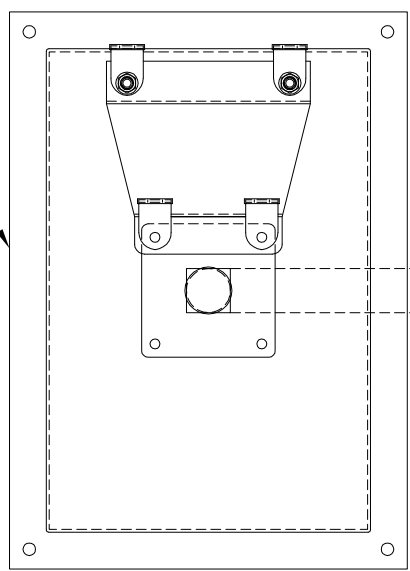


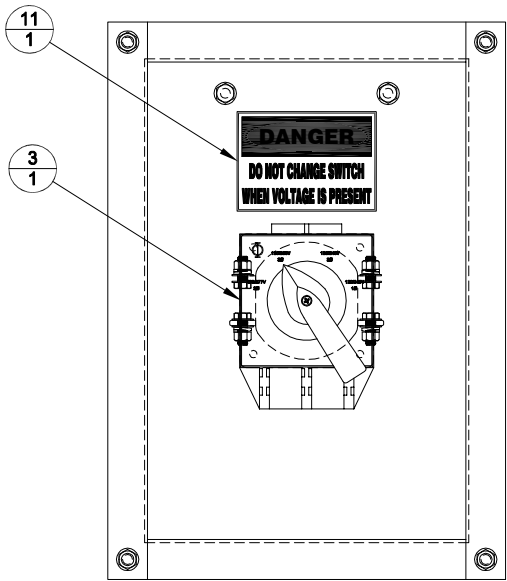
RIGHT SIDE VIEW



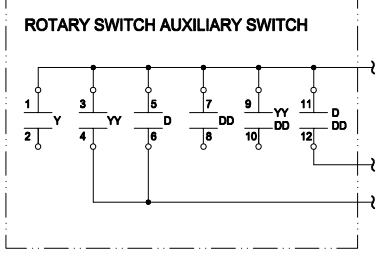
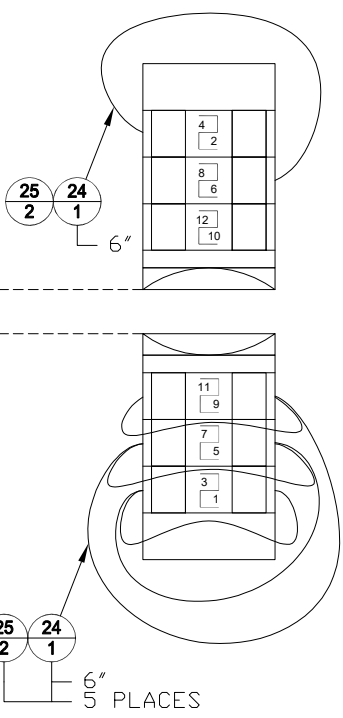
LEFT SIDE VIEW



REAR VIEW



FRONT VIEW



NOTE A: WRAP COPPER JUMPER WITH BLACK ELECTRICAL TAPE BETWEEN TERMINALS 6 & 8.

NOTE B: WRAP COPPER JUMPER WITH BLACK ELECTRICAL TAPE BETWEEN TERMINALS 18 & 20.

GENERATOR RECONNECTION
 277/480V, 3Ø, HI-WYE (Y)
 120/208V, 3Ø, LO-WYE (YY)
 120/240V, 3Ø, DELTA (D)
 120/240V, 1Ø, DOUBLE DELTA (DD)

CONNECTIONS:
 T1/L1 TO 34, 38, & 40.
 T2 TO 2 & 4.
 L2 TO 3, 11, 23 & 27.
 T3 TO 14 & 16.
 L3 TO 7, 15 & 19.
 T4 TO 42 & 44.
 T5 TO 25, 29, & 33.
 T6 TO 1, 5, & 9.
 T7 TO 37, 41 & 45.
 T8 TO 26, 28 & 32.
 T9 TO 6, 8 & 12.
 T10 TO 22 & 24.
 T11 TO 18 & 20.
 T12 TO 31, 35 & 39.
 L0 TO 10, 13, 17, 21, 30, 36, 43, & 46

ITEM	QTY.	PART NO.	DESCRIPTION
1	1	47C154	ROTARY SWITCH MOUNTING PLATE
2	1	47C155	ROTARY SWITCH SUPPORT BRACKET
3	1	C80-6 USN1059-600E	QUAD-VOLTAGE ROTARY SWITCH
4	4	29083	10-32X1.5" PHILLIPS PAN HD. SCREW
5	8	33074	#10 ZINC PLATED FLAT WASHER
6	6	37015	10-32 NYLOCK NUT
7	2	29061	10-32X.75" PHILLIPS PAN HD. SCREW
8	12	224-6797	1/4" FLAT WASHER - SS
9	6	3E-9865	1/4" NYLON LOCK NUT
10	6	149-2148	1/4-20X1 PAN HEAD BOLT - SS
11	1	49G123	WARNING FILM
12	4	156-6175	LADDER CLIP
13	2	47E161	ROTARY SWITCH COPPER BUS JUMPER
14	1	47E162	ROTARY SWITCH COPPER BUS JUMPER
15	1	47E163	ROTARY SWITCH COPPER BUS JUMPER
16	1	47E164	ROTARY SWITCH COPPER BUS JUMPER
17	3	47E165	ROTARY SWITCH COPPER BUS JUMPER
18	1	47E166	ROTARY SWITCH COPPER BUS JUMPER
19	3	47E167	ROTARY SWITCH COPPER BUS JUMPER
20	1	47E168	ROTARY SWITCH COPPER BUS JUMPER
21	1	47E169	ROTARY SWITCH COPPER BUS JUMPER
22	1	47E170	ROTARY SWITCH COPPER BUS JUMPER
23	1	47E171	ROTARY SWITCH COPPER BUS JUMPER
24	36"	203-6272	WIRE - 14GA GRAY - SIS
25	12	112-7457	FERRULE - 14GA

3 CALL OUT BAR & WIRE JUMPERS REMOVE REV-02 BOLT/WASHER INSTALLATION EASE 2 ADD BOLT/WASHER FOR ROLLING 1 REVISE FOR PRODUCTION 07/09/14 PDP 06/08/14 D. ROLLING 04/11/14 D. ROLLING DATE BY		ALTORFER POWER SYSTEMS 6315 W. FAUBER RD. PHONE (309) 697-1234 BARTONVILLE, IL 61607 FAX (309) 282-7546	
		THIS DOCUMENT CONTAINS PROPRIETARY INFORMATION OF ALTORFER, INC. WITHOUT THE WRITTEN PERMISSION OF ALTORFER, INC., ANY COPYING OR OTHER USE EXCEPT THAT FOR WHICH IT WAS INTENDED IS PROHIBITED	
		ALL DIMENSIONS IN INCHES UNLESS OTHERWISE SPECIFIED TOLERANCES: .XX ± 0.100 X.XX ± 0.060 X.XXX ± 0.005 ANGULAR ± 1°	FILE DF\47E SCALE/SHEET SIZE 1=5/B SHEET 1 OF 1
TITLE 60KW VOLTAGE CHANGEOVER SWITCH ASSEMBLY			