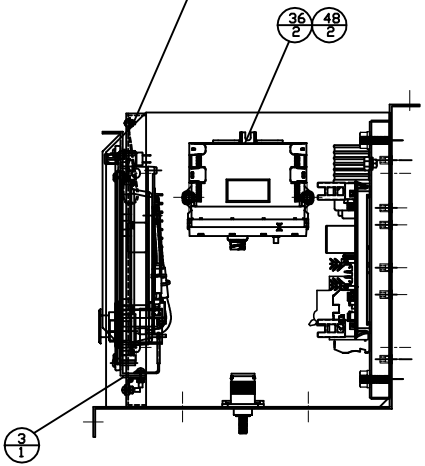
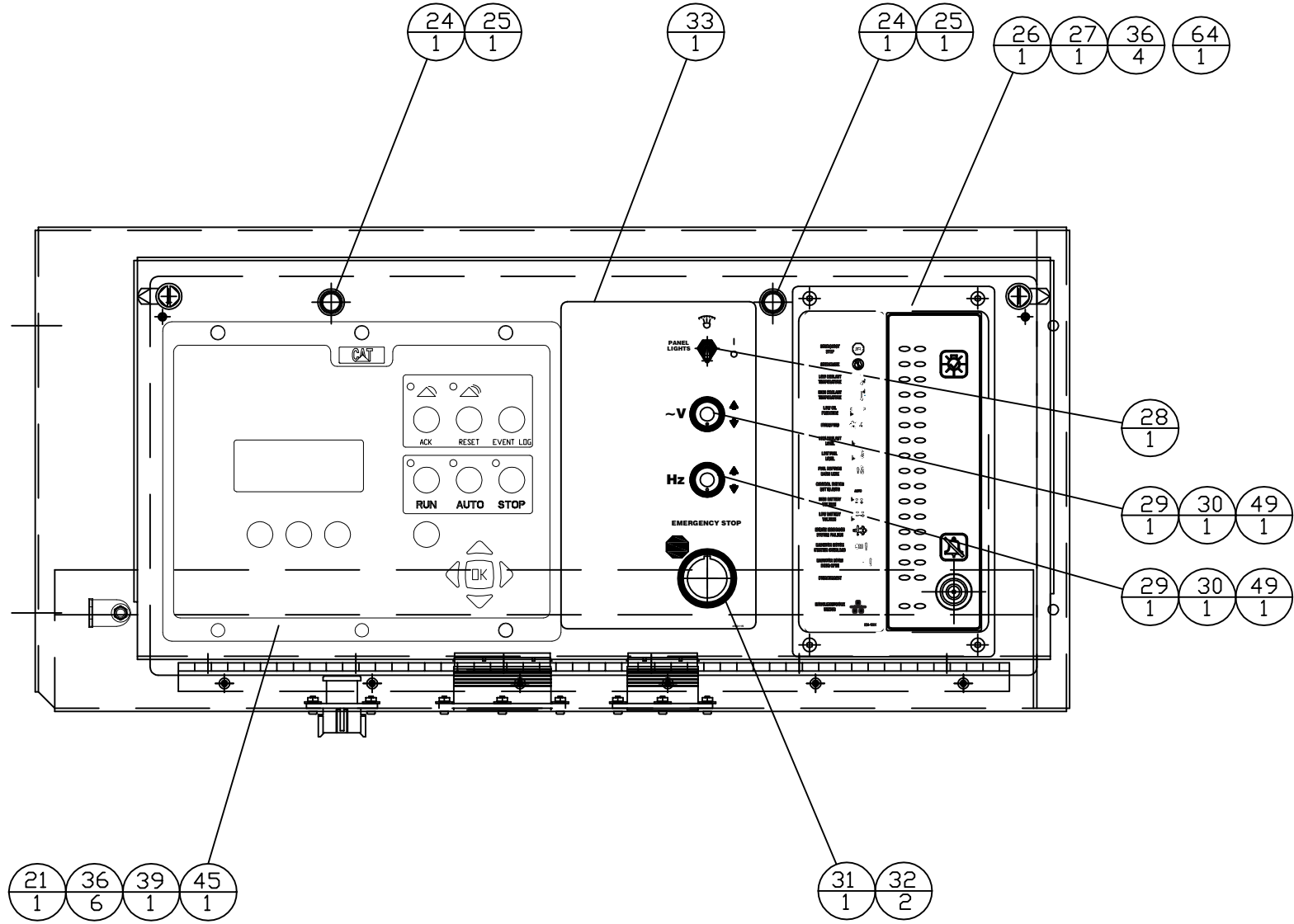


TYP. 7 PLACES
TORQUE VALUES
ITEM 96 12±3Nm

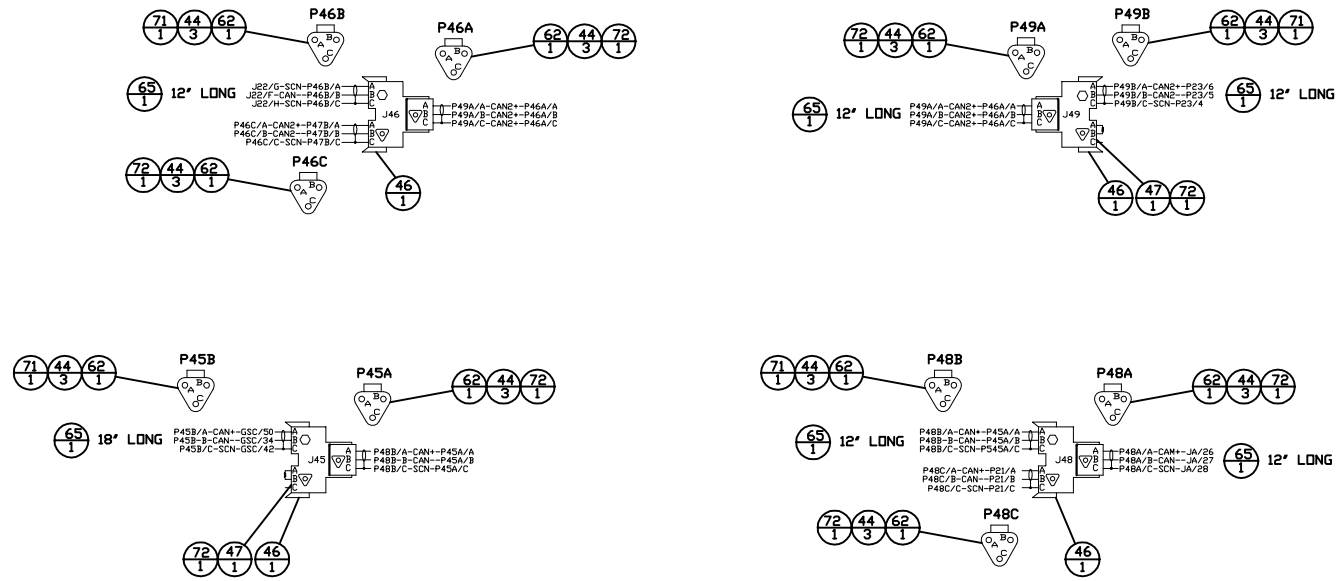
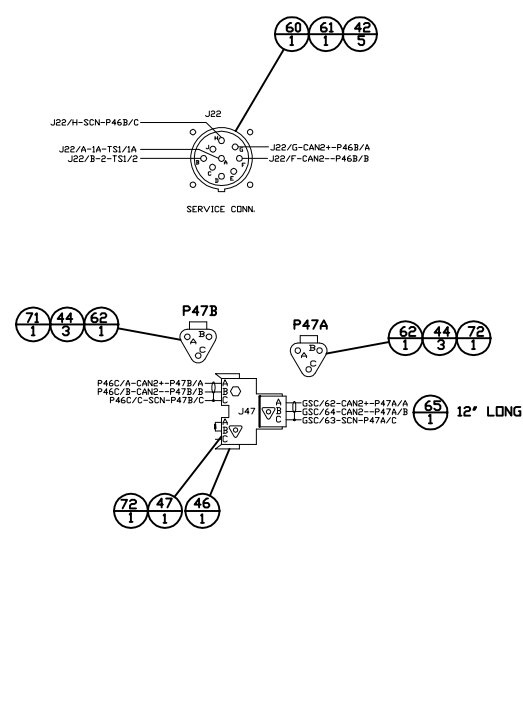
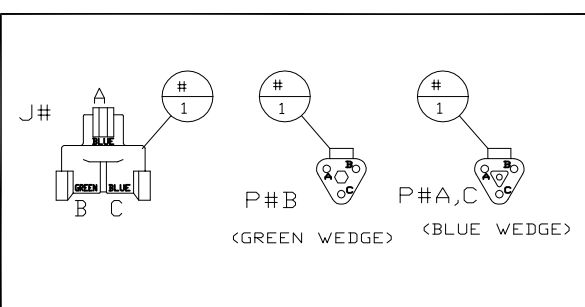
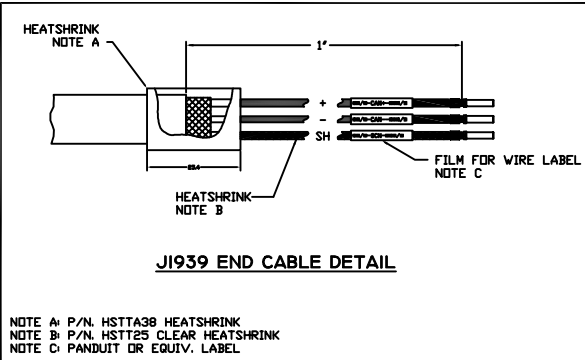
TYP. 2 PLACES



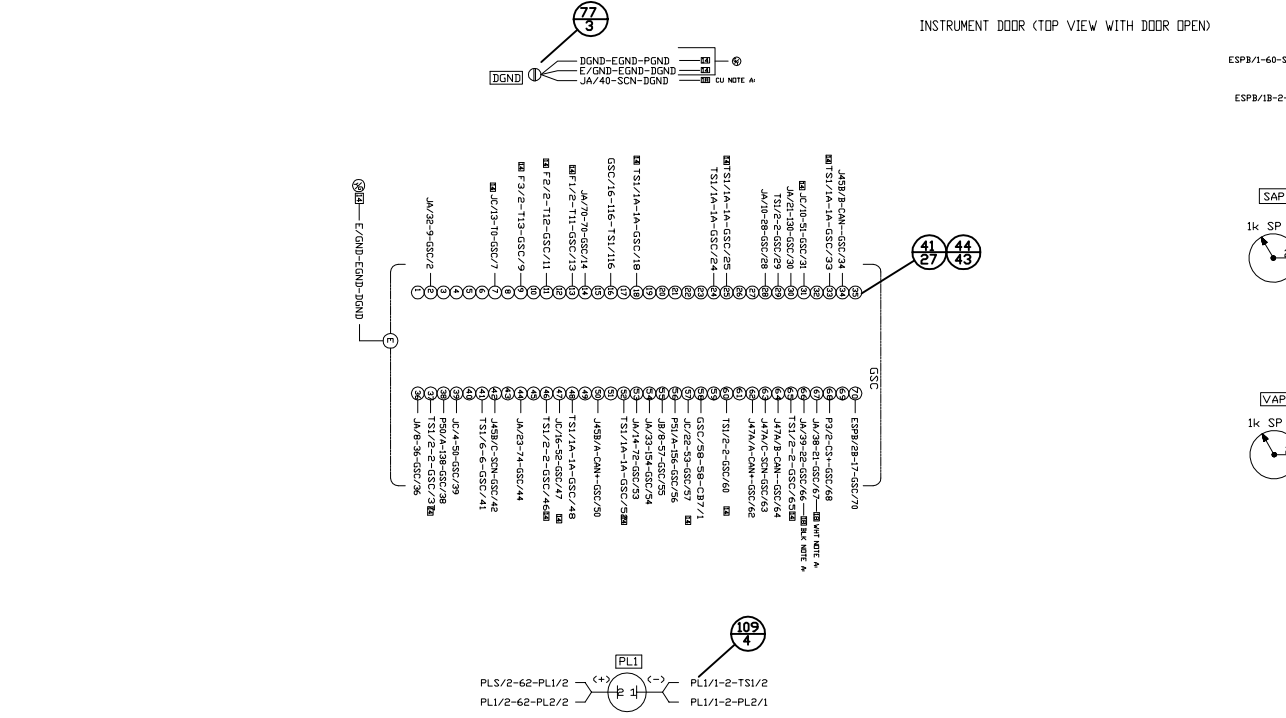
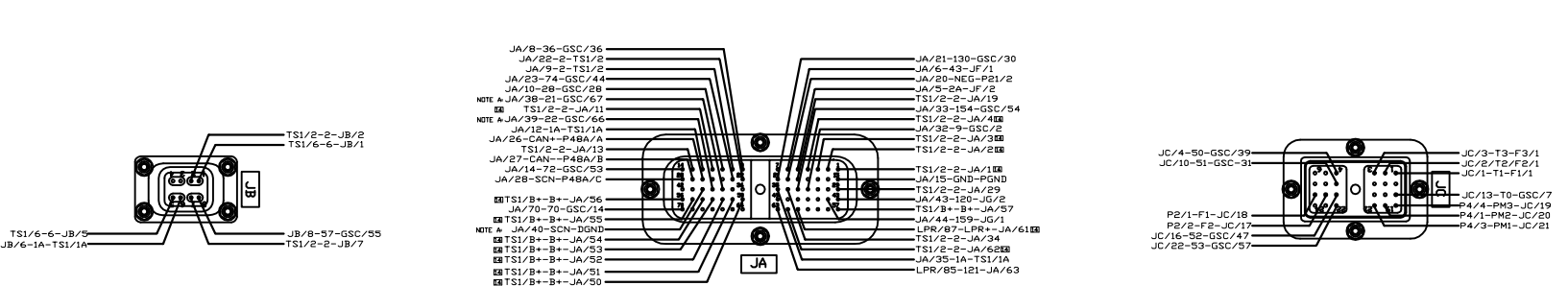
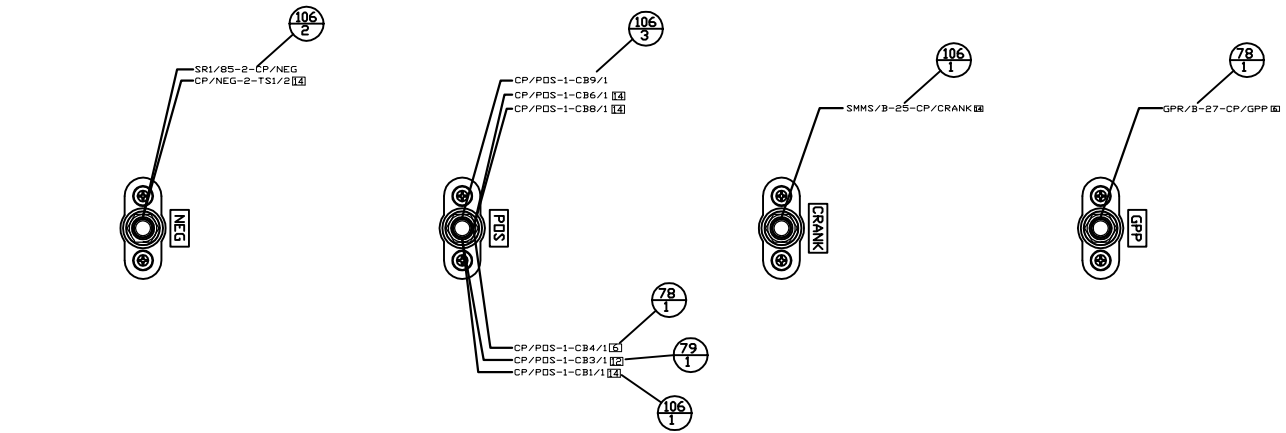
19/25/2014 DMR 7/7/14 DMR 02/08/14 REVISE FOR PRODUCTION REMOVE LIGHTS & LABELS PER PROTOTYPE BUILD CHANGE NOTICE DATE BY		ALTORFER POWER SYSTEMS 6315 W. FAUBER RD. PHONE (309) 697-1234 BARTONVILLE, IL 61607 FAX (309) 282-7546	
THIS DOCUMENT CONTAINS PROPRIETARY INFORMATION OF ALTORFER, INC. WITHOUT THE WRITTEN PERMISSION OF ALTORFER, INC., ANY COPYING OR OTHER USE EXCEPT THAT FOR WHICH IT WAS INTENDED IS PROHIBITED			
ALL DIMENSIONS IN INCHES UNLESS OTHERWISE SPECIFIED		FILE DF\47E	PROJECT REFERENCE APS60/100 RENTAL UNITS
TOLERANCES: .XX ± 0.100 .XXX ± 0.050 .XXX ± 0.005	THIRD ANGLE PROJECTION	SCALE/SHEET SIZE 1=5/C SHEET 1 OF 5	DRAWN BY D. ROLING DATE 07/12/2013
ANGULAR ± 1°		QUOTE NUMBER WORK ORDER NUMBER DRAWING NUMBER 47E100A-04	
TITLE CONTROL PANEL AS. CONTROL PANEL GROUP - EMCP4.2			



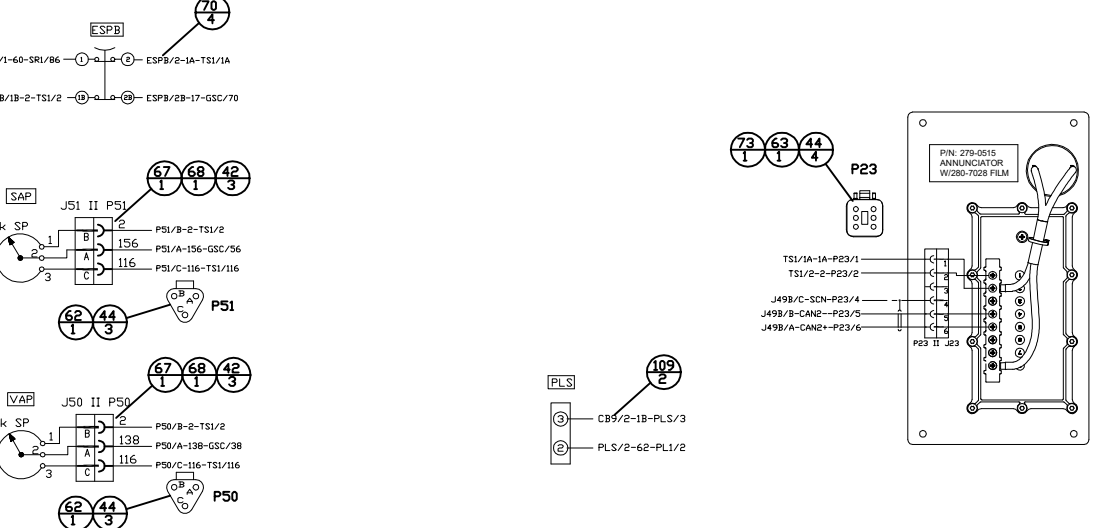
4	UPDATE IVR TERMINATIONS ADD TORQUE VALUES ITEM 96	9/25/2014 DMR	7/7/14 DKR	DATE BY	<p>ALTORFER POWER SYSTEMS 6315 W. FAUBER RD. PHONE (309) 697-1234 BARTONVILLE, IL 61607 FAX (309) 282-7546</p>
3	PER KIRBY BUILD				
2	REVISE FOR PRODUCTION REMOVE LIGHTS & F.L GAUGE	02/08/14 D. ROLLING	11/14/13 D. ROLLING		
1	PER PROTOTYPE BUILD				
NO.	CHANGE NOTICE				
ALL DIMENSIONS IN INCHES UNLESS OTHERWISE SPECIFIED TOLERANCES: XX ± 0.100 X.XX ± 0.060 X.XXX ± 0.005 ANGULAR ± 1°					FILE DF\47E SCALE/SHEET SIZE 1=5/B SHEET 2 OF 4
THIS DOCUMENT CONTAINS PROPRIETARY INFORMATION OF ALTORFER, INC. WITHOUT THE WRITTEN PERMISSION OF ALTORFER, INC., ANY COPYING OR OTHER USE EXCEPT THAT FOR WHICH IT WAS INTENDED IS PROHIBITED.					PROJECT REFERENCE APS60T4i/APS100T4i RENTAL UNITS DRAWN BY D. ROLLING DATE 07/12/2013
TITLE CONTROL PANEL ASSEMBLY CONTROL PANEL GROUP - EMCP4.2					QUOTE NUMBER WORK ORDER NUMBER DRAWING NUMBER 47E100B-04



CONTROL PANEL BOTTOM (TOP VIEW)



INSTRUMENT DOOR (TOP VIEW WITH DOOR OPEN)



NOTE A: PART OF CABLE 6V-2744
 CONNECTING JA-38,39,40 TO GSC
 A,B,C

DATE	7/7/14	FILE	DF47E	PROJECT REFERENCE	APSG0T4/AP100T4/ RENTAL UNITS
BY	7/7/14	SCALE/SHEET SIZE	1=5/C	DRAWN BY	D. ROLLING
REVISION	1	DATE	7/12/2013	WORK ORDER NUMBER	
REVISION	2	DATE		DRAWING NUMBER	47E100C-04
REVISION	3	DATE			
REVISION	4	DATE			

ALTORFER POWER SYSTEMS
 6315 W. FAUBER RD. PHONE (309) 697-1234
 BARTONVILLE, IL 61807 FAX (309) 282-7546

THIS DOCUMENT CONTAINS PROPRIETARY INFORMATION OF ALTORFER, INC. WITHOUT THE WRITTEN PERMISSION OF ALTORFER, INC. ANY COPYING OR OTHER USE EXCEPT THAT FOR WHICH IT WAS INTENDED IS PROHIBITED.

ALL DIMENSIONS IN INCHES UNLESS OTHERWISE SPECIFIED
 TOLERANCES: XX ± 0.100 ANGLE 1=5/C
 PROJECTION ANGULAR ± 1°
 SHEET 3 OF 5
 TITLE CONTROL PANEL ASSEMBLY CONTROL PANEL GROUP - EMCP4.2

ITEM	QTY.	UNITS	PART NUMBER	DESCRIPTION	MANUFACTURER
1	1		47C310	BOX - CONTROL PANEL	ALTORFER
2	1		49C305	HINGE - CONTROL PANEL	ALTORFER
3	1		49C308	SHIM	ALTORFER
4	28		29055	SCREW - #10-32 x 5/8	CAT
5	28		33074	WASHER - FLAT #10	CAT
6	14		37408	NUT - KEPS #10-32	FASTENAL
7	1		195-0534	RECEPTACLE - CONN 8 PIN	CAT
8	1		103-0213	RECEPTACLE - CONN 70 PIN	CAT
9	1		9X-0145	RECEPTACLE - CONN 24 PIN	CAT
10	1		47C312	CONTROL PANEL SUB-PAN	ALTORFER
11	1		47E104	TERMINAL GROUP	ALTORFER
12	15		28810	SCREW - #6-32 x 5/8	FASTENAL
13	15		33070	WASHER - FLAT #6	FASTENAL
14	12		1137405	NUT - KEPS #6-32	FASTENAL
15	52	IN.	244-9631	SEAL - WEATHER 1/2x1/8	CAT
16	1		47C304	DOOR - CONTROL PANEL	ALTORFER
17	2		125-0171	LOCK AS.	CAT
18	32'		G1X3LG	WIRE DUCT	PANDUIT
19	1		252-7519	LANYARD - 12' LOOP/LOOP	CAT
20	3		37010	NUT - NYLON #6-32	FASTENAL
21	1		431-1966	CONTROL-ELECT. EMCP4.2	CAT
22	3		250-0363	BLOCK-STUD - POSITIVE	CAT
23	1		250-0364	BLOCK-STUD - NEGATIVE	CAT
24	2		316-6409	LAMP AS.	CAT
25	2		9527T403	LAMP - MINIATURE	McMASTER-CARR
26	1		279-0515	ANNUNCIATOR	CAT
27	1		292-0065	FILM	CAT
28	1		8D-2676	SWITCH AS.	CAT
29	2		122-9458	POTENTIOMETER AS.	CAT
30	2		4W-5972	KNOB	CAT
31	1		109-6507	SWITCH - OPERATOR	CAT
32	2		111-1324	BLOCK - CONTACT	CAT
33	1		47G100-02	FILM	MUIR OMNI
34	1		7995K23	SWITCH-MAG. (GLOW PLUG)	McMASTER-CARR
35	1		125-1303	SWITCH - MAGNETIC	CAT
36	12		243-5027	NUT - M6X1	CAT
37	1		3E-3389	WEDGE	CAT
38	2		126-2211	6GA. FERRULE	CAT
39	1		103-6272	SEAL	CAT
40	1		398-7247	EXCITATION MODULE	CAT
41	114		8T-8737	PLUG - SEALING	CAT
42	77		126-1767	PIN - CONNECTOR	CAT
43	1		160-7689	PLUG - CONNECTOR	CAT
44	94		126-1768	SOCKET - CONNECTOR	CAT
45	1		233-7742	SCREW-GND - M4X0.7X7MM	CAT
46	5		133-0970	RECEPTACLE AS. 'Y'	CAT
47	3		174-3016	PLUG AS-RESISTOR	CAT
48	6		7X-2533	BOLT - M6X1 - 35MM LONG	CAT
49	2		7C-4550	SEAL-ROD. SHAFT	CAT
50	1		416-1367	P2 PLUG HOUSING	CAT
51	1		416-1332	P2 INTERFACE SEAL	CAT
52	2		416-1333	P2 WIRE SEAL	CAT
53	1		366-9370	P3 PLUG HOUSING	CAT

* SUPPLIED BY ALTORFER

* SUPPLIED BY ALTORFER

* SUPPLIED BY ALTORFER

* SUPPLIED BY ALTORFER

* SUPPLIED BY ALTORFER

* SUPPLIED BY ALTORFER

ITEM	QTY.	UNITS	PART NUMBER	DESCRIPTION	MANUFACTURER
54	1		416-1335	P3 INTERFACE SEAL	CAT
55	1		416-1334	P3 WIRE SEAL	CAT
56	1		351-9187	P4 PLUG HOUSING	CAT
57	1		416-1336	P4 INTERFACE SEAL	CAT
58	4		416-1337	P4 WIRE SEAL	CAT
59	8		244-0452	CONTACT	CAT
60	1		8T-8736	RECEP.-9 PIN SVC. CONN.	CAT
61	1		8C-6354	CAP-SVC. CONN.	CAT
62	13		169-8670	PLUG KIT-3 PIN	CAT
63	1		155-2273	PLUG KIT - 6 PIN	CAT
64	1		244-9613	SEAL-ANNUNCIATOR	CAT
65	7'		153-2707	J1939 CABLE	CAT
66	2		156-6175	LADDER CLIP	CAT
67	2		3E-3370	RECEPTACLE-3 PIN	CAT
68	2		3E-3371	WEDGE	CAT
69	3		120-4510	12GA. FERRULE	CAT
70	79		112-7497	14-16GA. FERRULE	CAT
71	5		155-2276	3 PIN WEDGE-GREEN	CAT
72	10		155-2266	3 PIN WEDGE BLUE	CAT
73	1		155-2263	6 PIN WEDGE	CAT
74	8		71067	LOCKWASHER SS - 3/8'	FASTENAL
75	8		149-2142	FLATWASHER SS - 3/8'	CAT
76	8		74965	NUT BRONZE - 3/8'	FASTENAL
77	5		128-4184	14-16GA. X #10 EYELET	CAT
78	2		128-4170	6GA. X 3/8' EYELET	CAT
79	1		128-4179	12GA. X 3/8' EYELET	CAT
80	2		115-1615	RELAY	CAT
81	2		9X-1054	PLUG - RELAY	CAT
82	2		415-4615	CORE SUPPRESSION FERRITE BEADS	CAT
83	1		386-3004	CONTROL GP. ELECTRONIC (PL421)	CAT
84	1		394-8813	COMMUNICATION WIRING GROUP	CAT
85	1		389-0463	ANTENNA ASSEMBLY	CAT
86	3		135-2543	BOOT - RED	CAT
87	1		155-2269	2 PIN PLUG	CAT
88	1		155-2261	WEDGE	CAT
89	1		7H-1177	TERMINAL	CAT
90	1		6H-3599	TERMINAL	CAT
91	2		9X-1055	12 GA. FEMALE SPADE CONN.	CAT
92	6		9X-1056	14-16 GA. FEMALE SPADE CONN.	CAT
93	2		128-4158	5/16' X 4AWG RING TERMINAL	CAT
94	2		128-4186	5/16' X 16-14AWG RING TERMINAL	CAT
95	32'		C1LG	WIRING DUCT COVER	PANDUIT
96	7		5P-2534	1/4'-20 x 1' FLANGE HEAD BOLT	CAT
97	7		173-7181	1/4'-20 FLANGE HEAD NUT	CAT
98	4		8T-4896	3/8' WASHER-HARD	CAT
99	4		6V-8801	3/8'-16 NUT	CAT
100	4		9X-8256	WASHER - FLAT M6	CAT
101	4		033-8755	SCREW - 1/4'-20 X 1'	CAT
102	4		33004	WASHER - FLAT 1/4'	FASTENAL
103	1		091-8402	BOOT - BLACK	CAT
104	50		1S-9593	TYRAP	CAT
105	25		8L-8413	TYRAP	CAT
106	9		128-4187	14-16GA. X 3/8' EYELET	CAT
107	1		47C311	FACEPLATE - CONTROL PANEL	ALTORFER
108	1		193-9141	BOOT	CAT

NOTE:
ALL ITEMS TAGGED * SUPPLIED BY ALTORFER ARE FREE ISSUED BY CATERPILLAR TO ALTORFER. KIRBY RISK IS NOT TO SUPPLY!

19/25/2014 DMR	7/7/14 DMR	02/08/14 DMR	01/14/13 DMR	DATE BY	ALTORFER POWER SYSTEMS 6315 W. FAUBER RD. PHONE (309) 697-1234 BARTONVILLE, IL 61807 FAX (309) 282-7546			
4	3	2	1	DATE BY	THIS DOCUMENT CONTAINS PROPRIETARY INFORMATION OF ALTORFER, INC. WITHOUT THE WRITTEN PERMISSION OF ALTORFER, INC., ANY COPYING OR OTHER USE EXCEPT THAT FOR WHICH IT WAS INTENDED IS PROHIBITED			
5	4	3	2	DATE BY	FILE	PROJECT REFERENCE	ALL DIMENSIONS IN INCHES UNLESS OTHERWISE SPECIFIED	
6	5	4	3	DATE BY	DF\47E	APSG0/100 RENTAL UNITS	TOLERANCES:	THIRD ANGLE PROJECTION
7	6	5	4	DATE BY	SCALE/SHEET SIZE	DRAWN BY	QUOTE NUMBER	ANGULAR ± 1°
8	7	6	5	DATE BY	1=5/C	D. ROLING	WORK ORDER NUMBER	DATE
9	8	7	6	DATE BY	SHEET	DATE	DRAWING NUMBER	DATE
10	9	8	7	DATE BY	5 OF 5	07/12/2013	47E100E-04	DATE
11	10	9	8	DATE BY	TITLE			
12	11	10	9	DATE BY	CONTROL PANEL AS.			
13	12	11	10	DATE BY	CONTROL PANEL GROUP - EMCP4.2			