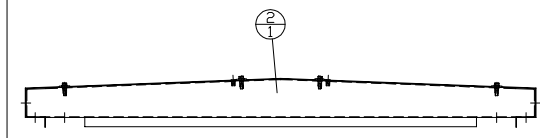
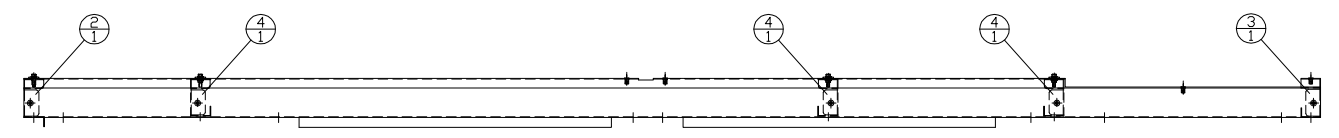


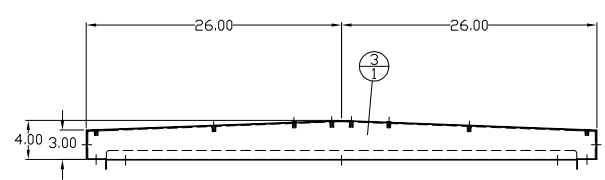
ROOF SUB-ASSEMBLY - TOP VIEW
SCALE 2:1



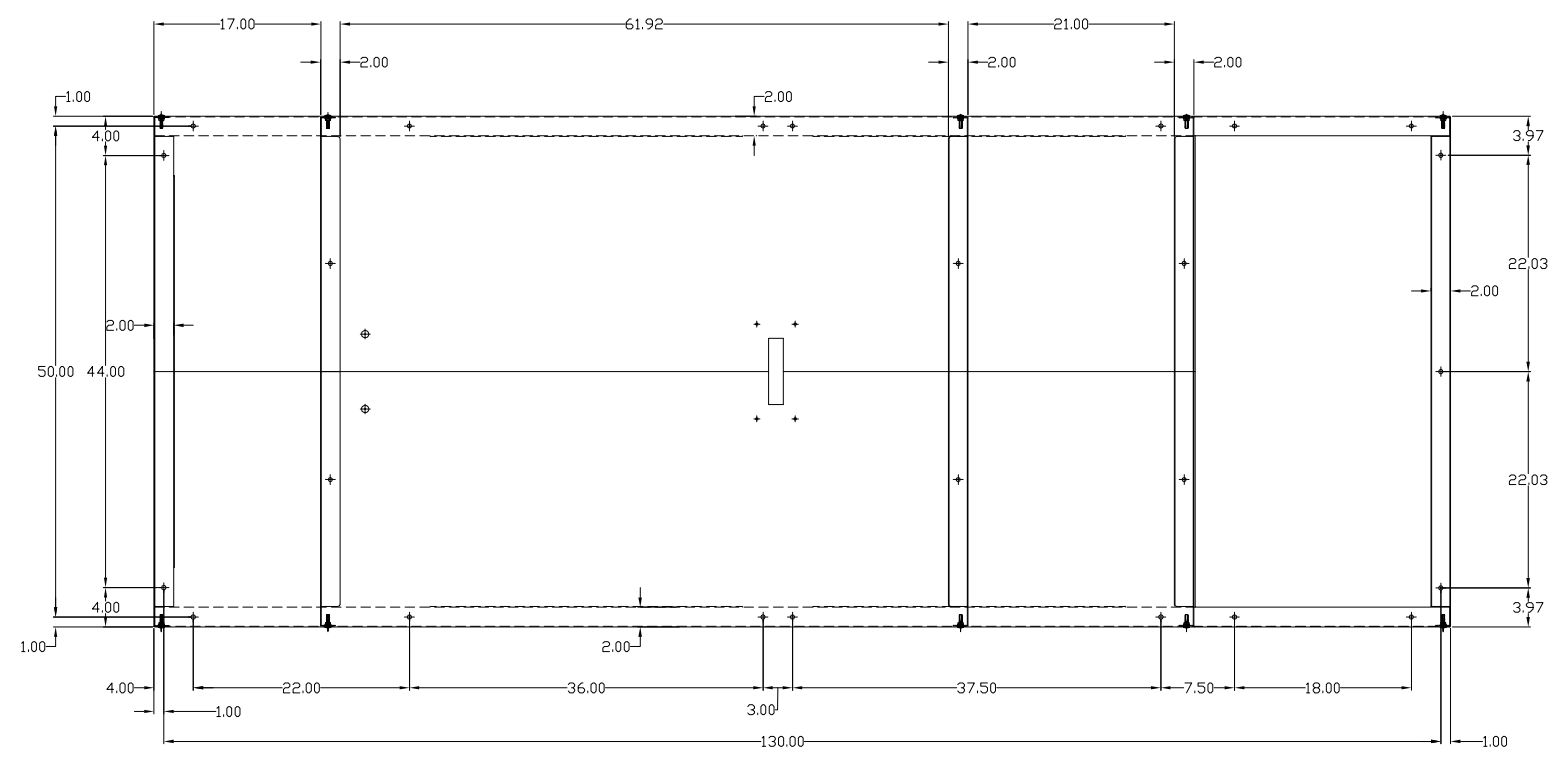
ROOF SUB-ASSEMBLY - GENERATOR END CAP VIEW
SCALE 2:1



ROOF SUB-ASSEMBLY - SIDE VIEW
SCALE 2:1



ROOF SUB-ASSEMBLY - RADIATOR END CAP VIEW
SCALE 2:1

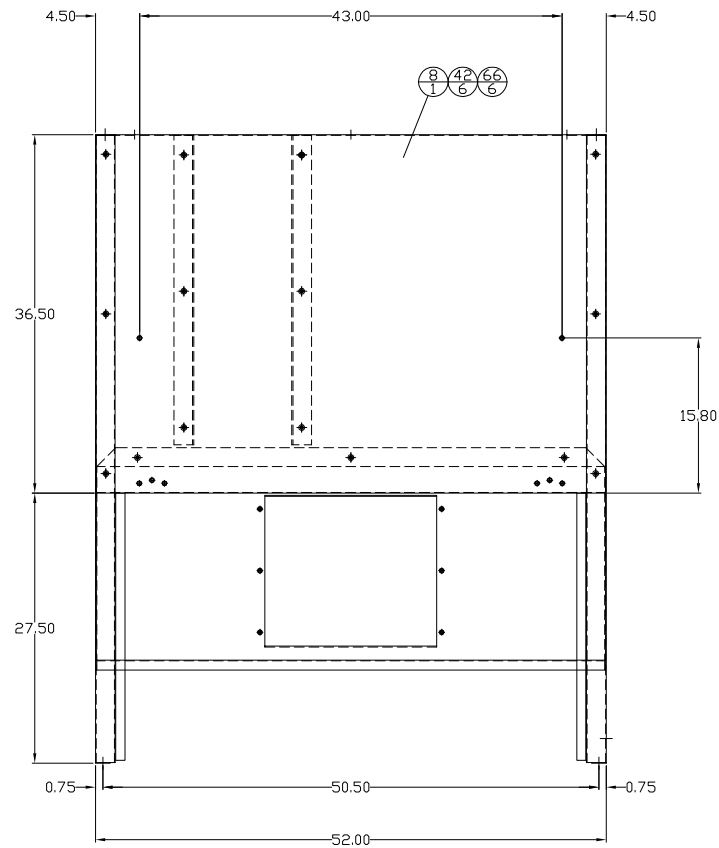


ROOF SUB-ASSEMBLY - BOTTOM VIEW
SCALE 2:1

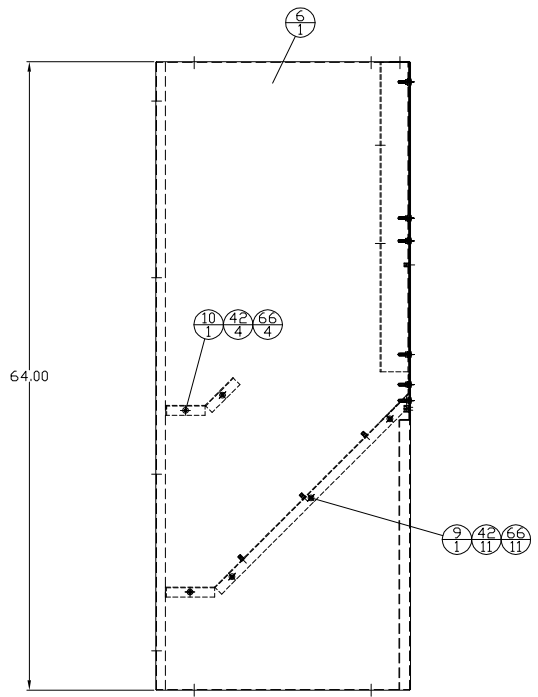
ITEM	QTY.	PART NO.	DESCRIPTION	WEIGHT
1	1	47C501	ROOF SHEET	154
2	1	47C502	GENERATOR END CAP	8
3	1	47C503	RADIATOR END CAP	9
4	3	47C504	ROOF STIFFENER	36
5	1	47C505	RAIN SKIRT	1
6	1	47C506	RH DUCT SIDE	46
7	1	47C507	LH DUCT SIDE	46
8	1	47C508	DUCT FRONT	44
9	1	47C509	DUCT BOTTOM	25
10	1	47C510	DUCT VANE	10
11	1	47C511	LH SILL SUPPORT	5
12	1	47C512	RH SILL SUPPORT	5
13	1	47C513	RH FRONT CORNER	32
14	1	47C514	LH FRONT CORNER	32
15	4	47C515	ENCL ACCESS DOOR	180
16	5	47C516	ENCL DOOR CATCH	5
17	1	47C517	ENCL RH FILLER PNL	18
18	1	47C518	ENCL LH FILLER PNL	18
19	1	47C519	ENCL ABV RAD PNL	18
20	1	47C520	ENCL LH R CRNR PNL	57
21	1	47C521	ENCL RH R CRNR PNL	57
22	1	47C522	ENCL CNT FILLR PNL	10
23	1	47C523	ENCL ABV CONTRL SUPP	2
24	1	47C524	ENCL BLW CONTRL PNL	5
25	1	47C525	ENCL BAT DOR CACH	1
26	1	47C526	BATTERY DOOR	30
27	1	47C418	ENCL BLW RAD PNL	10
28	4	47C431	ENCL BLW DOR PNL	10
29	4	47C434	SND BDX ACSS DOR	160
30	4	47C435	DOOR BAFFLE	84
31	2	47C436	SND BDX UPR REAR	40
32	2	47C437	SND BDX LOW REAR	24
33	1	47C445	ENCL CNTRL DOR	12
34	1	47C447	EXHAUST SCREEN	25
35	1	47C450	EXHAUST HANGER AS	3
36	1	47C451	EXHAUST HANGER	2
37	1	47C452	ENCL RH LD DOR AS	21
38	1	47C454	ENCL LH LD DOR AS	21
39	1	47C457	CDB COVER DOR AS	7
40	1	47C461	EXH DUCT ACSS CVR	11
41	1	47D100BM-2	APS60/100 SOUND FOAM KIT	---
42	114	90185A540	1/4"-20THDx0.75" CARRIAGE BOLT	---
43	7	375-0711	BLACK DOOR LATCH	---
44	2	T502HNDL	GRAB HANDLE	---
45	16	317-5796	BLACK DOOR HINGE	---
46	7	54D150	LATCH GASKET	---
47	2	54D149	HANDLE GASKET	---
48	16	317-5798	DOOR HINGE GASKET	---
49	16	317-5797	WALL HINGE GASKET	---
50	28	6C-3679	POP RIVET 3/16 SS	---
51	16	0126271	POP RIVET 1/8 SS	---
52	4	XGR0D	DOOR KEEP ROD AS	---
53	4	5W-1943	KEEP STORAGE CLIP	---
54	2	91465K24	BARBED FITTING 3/4" PIPE TO 5/8" HOSE	---
55	2	10412-18229	ADAPTER BRASS 3/4" NPT BULKHEAD	---
56	2	69908	PLUG BRASS 3/4" NPT	---
57	2	ECHA1114	OZ BUSHING MALE 1-1/4"	---
58	3	ECHA24114	OZ BUSHING FEMALE 1-1/4"	---
59	1	52C178	CONTRL WINDOW	---
60	73	345-8531	3/8"-16x1" FLANGED BOLT	---
61	77	198-2970	3/8"-16 FLANGE NUT	---
62	120	3E-6697	BEADED TRIMLOCK	---
63	40	5P-2534	1/4"-20x1" FL HEX HD BOLT	---
64	5	8T-4971	M6-1.00x30mm BOLT	---
65	96	317-5697	1/4"-20x1" SS COUNTERSINK SCREW	---
66	114	173-7181	1/4"-20THD FL HD NUT (ZINC PLATED)	---
67	4	37405	#6-32 KEPS LOCK NUT	---
68	4	33070	#6 FLAT WASHER	---
69	4	7K-3435	#6-32x0.50 SS SCREW	---
70	12	94709A516	3/8" SS BONDED SEALING WASHER	---
71	4	71067	3/8" SS LOCK WASHER	---
72	4	70732	3/8"-24NF SS NUT	---
73	4	3P-9554	GROMMET	---
74	48	6V-8185	1/4"-20NC NUT	---
75	53	317-5698	1/4" LOCK WASHER	---
76	93	317-5700	1/4" SS NEOPRENE FLAT WASHER	---
77	44	1120A213	TRIMLOCK - BEADED	---
78	1	4W-9908	EXTERIOR EMERG. STOP BUTTON AS	---
79	1	STDP-RDD	EMERGENCY STOP ROD	---
80	87ft.	D-2685	3/8" WHITE SELF ADHESIVE GASKET	---
81	10ft.	AS-990	WINDOW GROMMET	---
82	5	9R-8537	DOOR KEEP SOCKET	---
83	5	9R-8538	DOOR KEEP PLUNGER	---
84	5	5C-2890	M6 NUT ZINC PLATED	---
85	5	033-8755	1/4"-20x1.00" PHILLIPS TRUSS HD SCREW	---
86	2	54D151	LOAD DOOR - FLAP	---
87	8	0183807	BOLT - LICENSE PLATE	---
88	8	0184617	NUT - LICENSE PLATE	---
89	30	STICKERTITE	3/4" GASKET	---
90	6	FT207	PLUG	---
91	5	109-0147	1/4"x1" SELF TAPPING HX HD FL SCREW	---
92	65	8451A63	TRIMLOCK - VINYL	---
93	1	ECHA12	OZ BUSHING FEMALE 2.00"	---
94	1	ECHA242	OZ BUSHING MALE 2.00"	---

NOTE A: ENCLOSURE BATTERY DOOR CATCH (47C525) RECEIVED IN THIS GROUP & INSTALLED IN ENCLOSURE MNT. GP. (47A115)
 NOTE B: CHANGE OVER BOARD COVER DOOR AS. (47C457) RECEIVED IN THIS GROUP & INSTALLED IN LOAD DOORS MNT. GROUP (47A123)
 NOTE C: RAIN SKIRT (47C505) RECEIVED IN ENCLOSURE GROUP (47A132) & INSTALLED DURING LIFT ARCH MTG. GROUP (47A110)

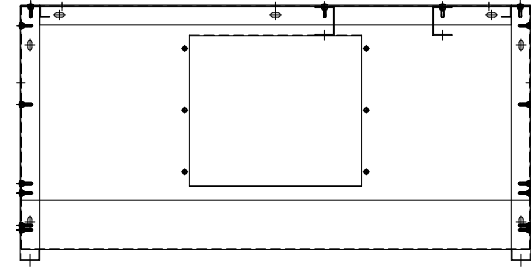
4	UPDATED #4260,61,63,66,78,79	07/07/14	BML/JAM	DATE	BY	ALTORFER POWER SYSTEMS 6315 W. FAUBER RD. PHONE (309) 697-1234 BARTONVILLE, IL 61607 FAX (309) 282-7546
3	REVISIONS	04/15/14	BML/JAM	DATE	BY	
2	REVISED SHEET LAYOUT	04/15/14	BML/JAM	DATE	BY	
1	ADDED ITEMS 77 AND 92	04/15/14	BML/JAM	DATE	BY	
THIS DOCUMENT CONTAINS PROPRIETARY INFORMATION OF ALTORFER, INC. WITHOUT THE WRITTEN PERMISSION OF ALTORFER, INC., ANY COPYING OR OTHER USE EXCEPT THAT FOR WHICH IT WAS INTENDED IS PROHIBITED.						
ALL DIMENSIONS IN INCHES UNLESS OTHERWISE SPECIFIED		FILE	DF/47A	PROJECT REFERENCE		
TOLERANCES:		SCALE/SHEET SIZE	1=20/D	DRAWN BY	BML/JAM	QUOTE NUMBER
X.XX ± 0.100		THIRD ANGLE PROJECTION	SHEET	DATE	04/18/14	WORK ORDER NUMBER
X.XXX ± 0.005		ANGULAR ± 1'	1 OF 5	DRAWING NUMBER		
TITLE				APSG60-100 ENCLOSURE ASSEMBLY		
DRAWING NUMBER				47A132-A4		



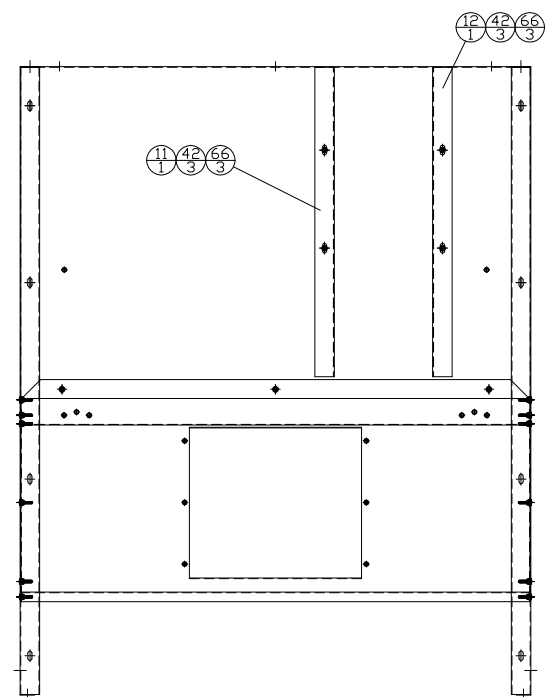
TURN DUCT SUB-ASSEMBLY - REAR VIEW



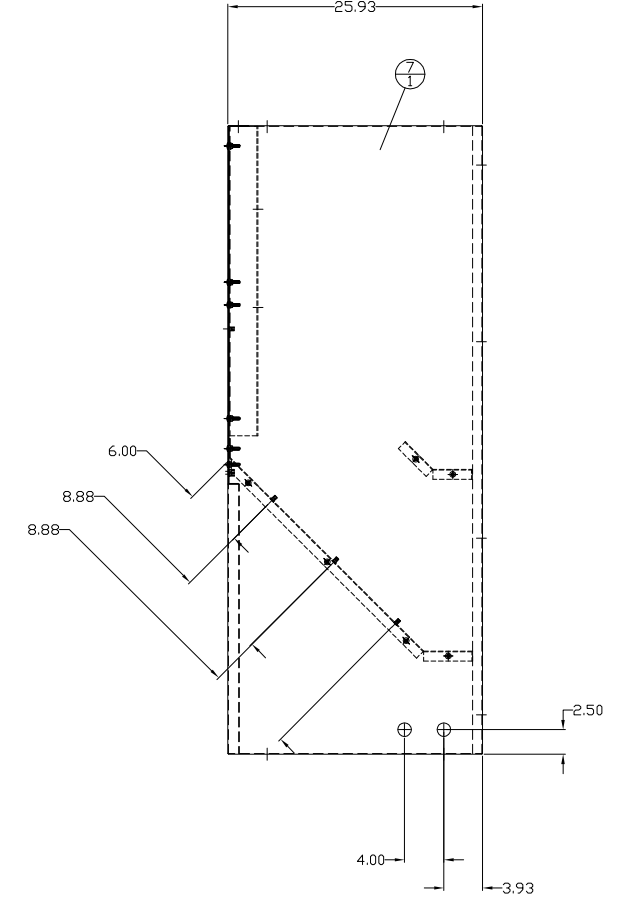
TURN DUCT SUB-ASSEMBLY - CURB SIDE VIEW



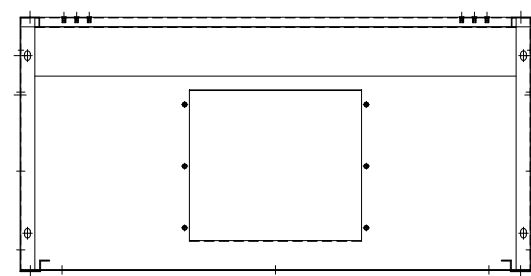
TURN DUCT SUB-ASSEMBLY - TOP VIEW



TURN DUCT SUB-ASSEMBLY - FRONT VIEW

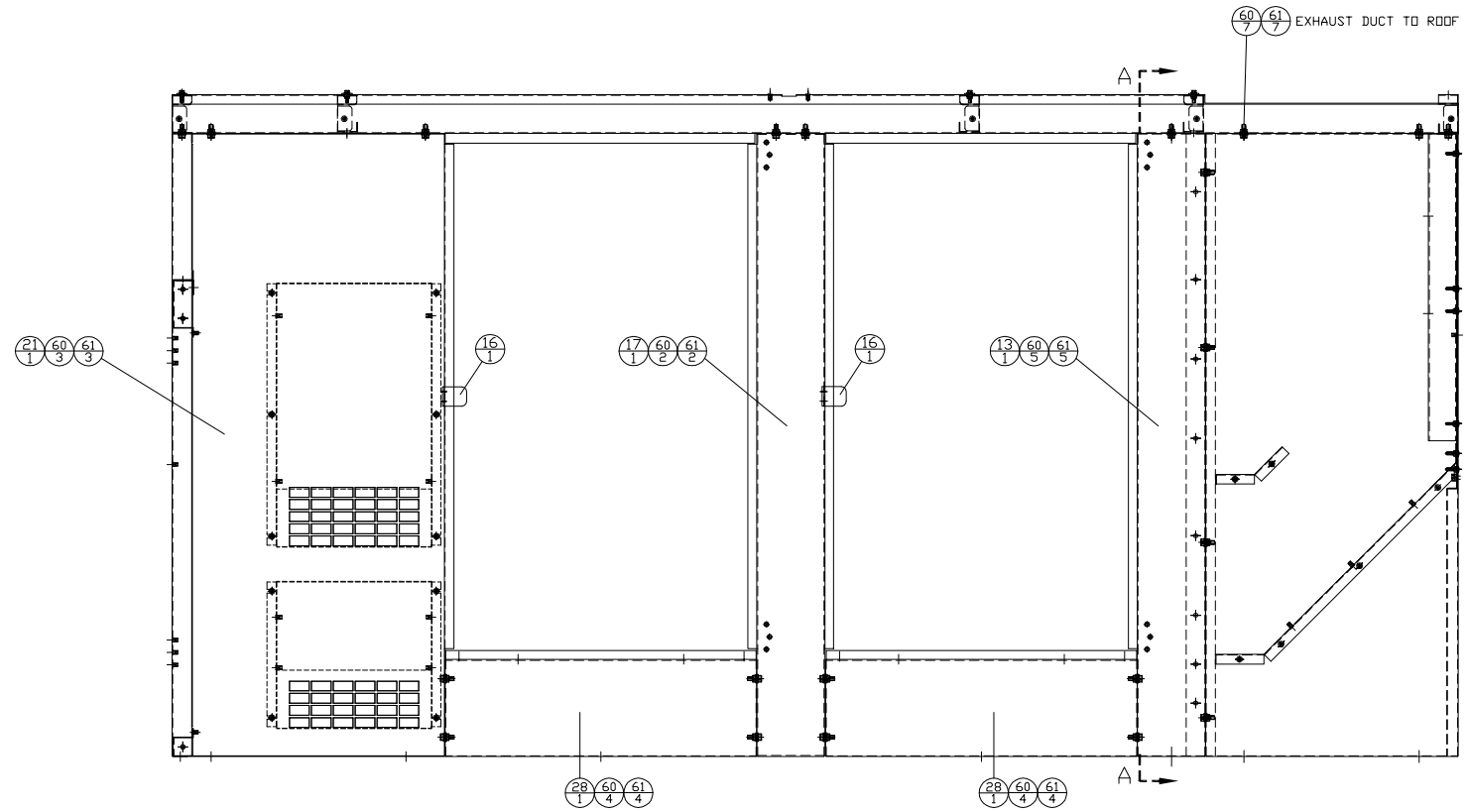


TURN DUCT SUB-ASSEMBLY - STREET SIDE VIEW

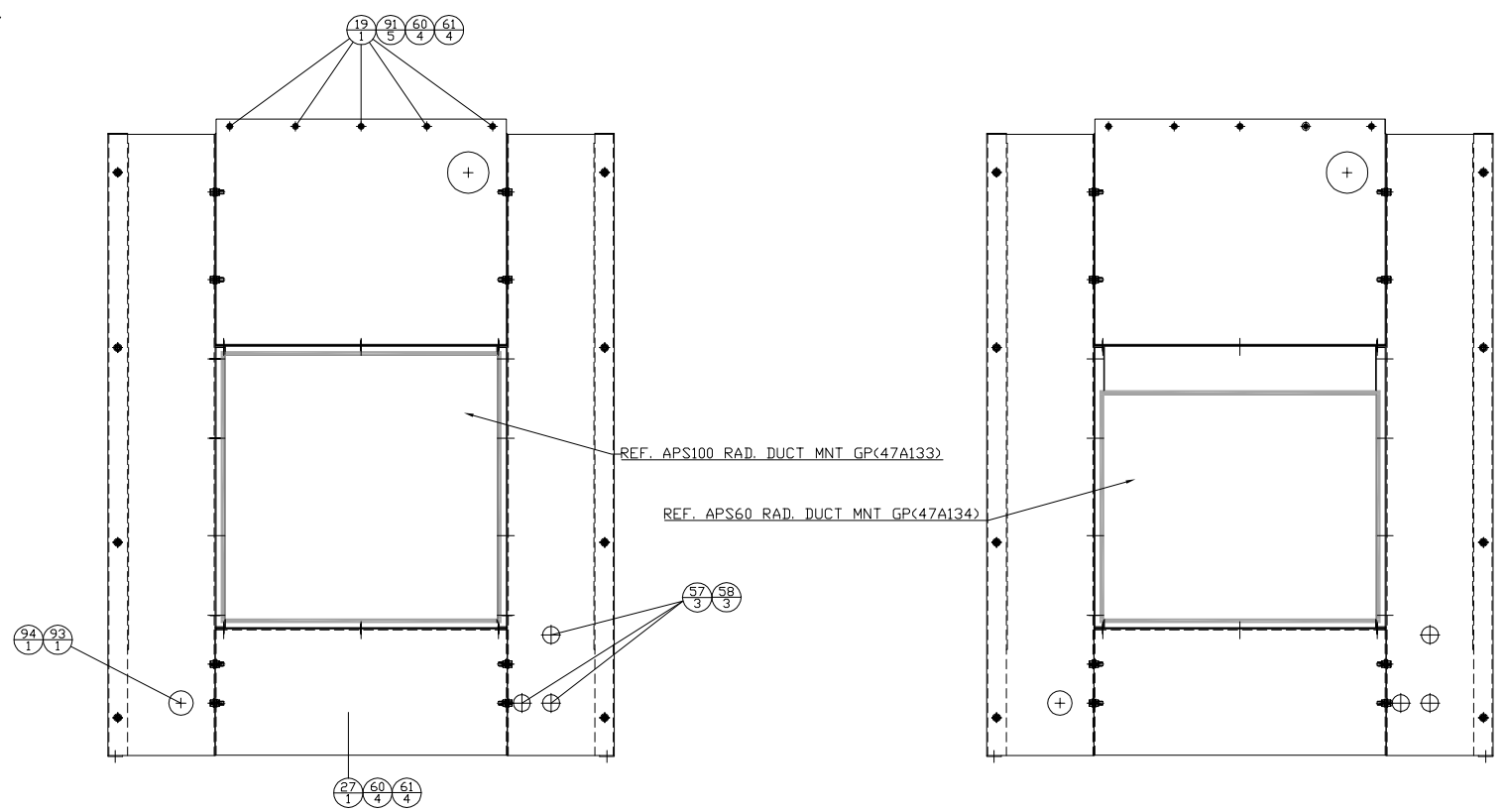


TURN DUCT SUB-ASSEMBLY - BOTTOM VIEW

4	UPDATED #42,60,61,63,65,78,81,07/07/14	BML	DATE	BY	ALTORFER POWER SYSTEMS 6315 W. FAUBER RD. PHONE (309) 697-1234 BARTONVILLE, IL 61607 FAX (309) 282-7546
3	REVISIONS	BML/BAL	DATE	BY	
3	ADDED SHEET LAYOUT	04/15/14			THIS DOCUMENT CONTAINS PROPRIETARY INFORMATION OF ALTORFER, INC. WITHOUT THE WRITTEN PERMISSION OF ALTORFER, INC., ANY COPYING OR OTHER USE EXCEPT THAT FOR WHICH IT WAS INTENDED IS PROHIBITED.
2	REVISED SHEET LAYOUT	04/15/14			
1	UPDATED ITEM 26	03/11/14			ALL DIMENSIONS IN INCHES UNLESS OTHERWISE SPECIFIED TOLERANCES: X.X ± 0.100 X.XX ± 0.050 X.XXX ± 0.005 ANGULAR ± 1°
	CHANGE NOTICE				FILE: DF/47A SCALE/SHEET SIZE: 1=20/D SHEET: 2 OF 5
					PROJECT REFERENCE: APS60-100 RENTAL PACKAGE DRAWN BY: BML/JAM DATE: 04/18/14 WORK ORDER NUMBER:
					TITLE: APS60-100 ENCLOSURE ASSEMBLY DRAWING NUMBER: 47A132-B4

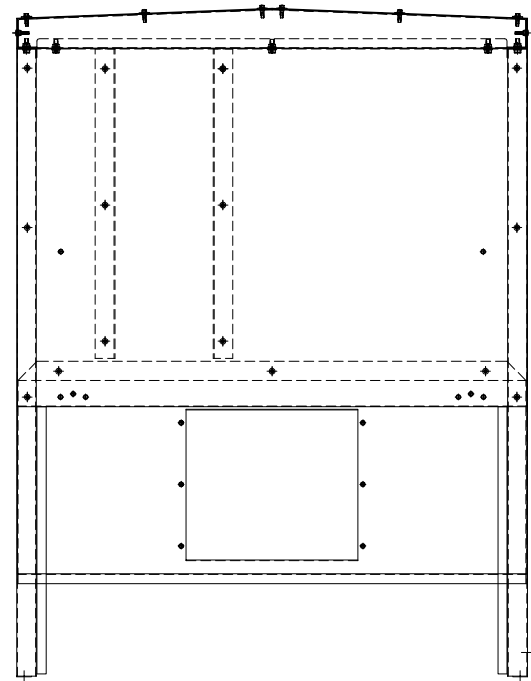


ENCLOSURE SUB-ASSEMBLY - CURB SIDE (RIGHT) VIEW
SCALE 2:1

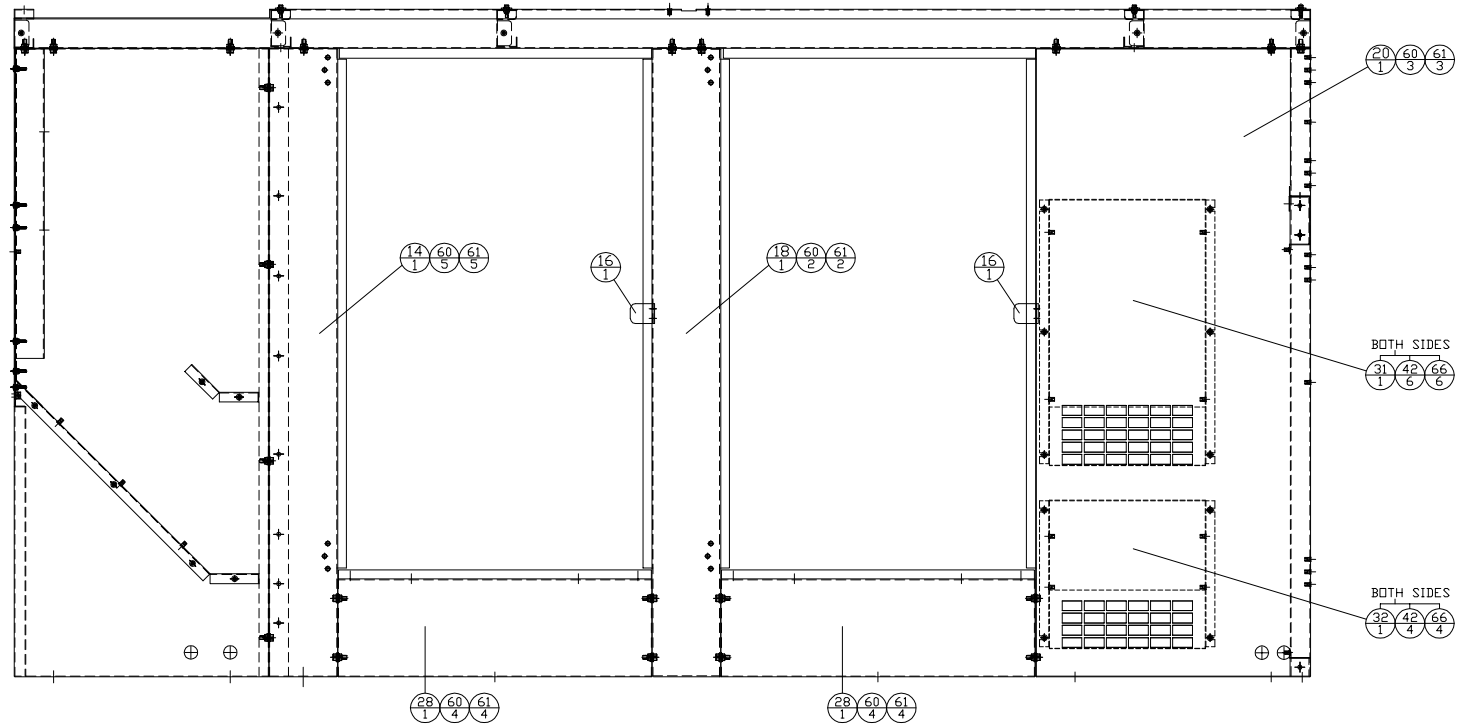


APSI00 - SECTION A-A
SCALE 2:1

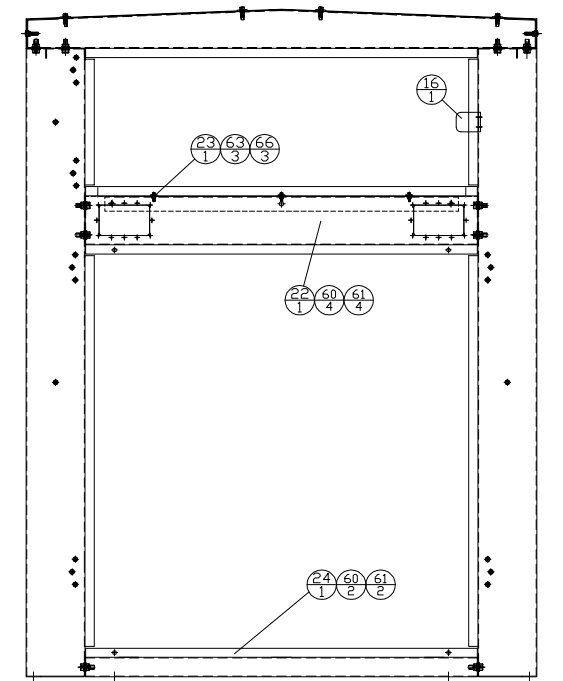
APS60 - SECTION A-A
SCALE 2:1



EXHAUST DUCT (REAR) VIEW
SCALE 2:1

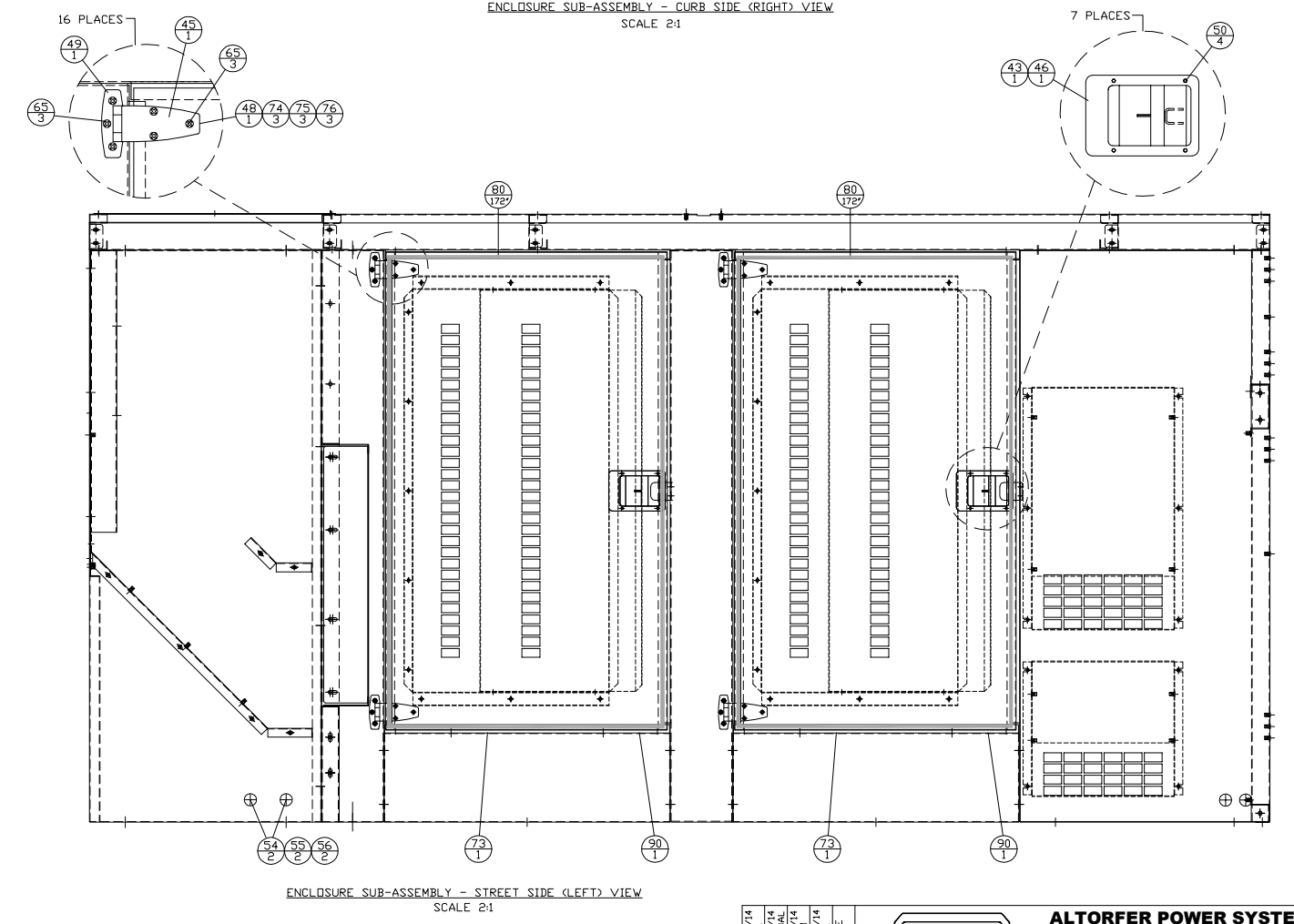
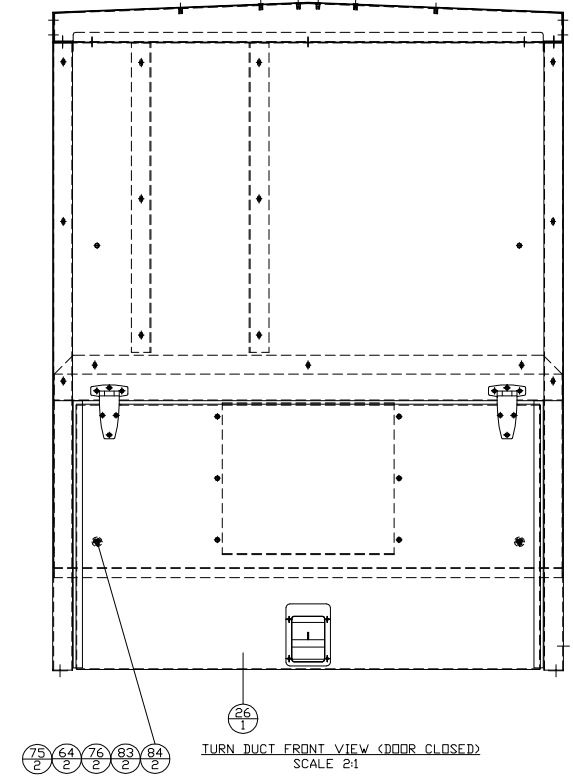
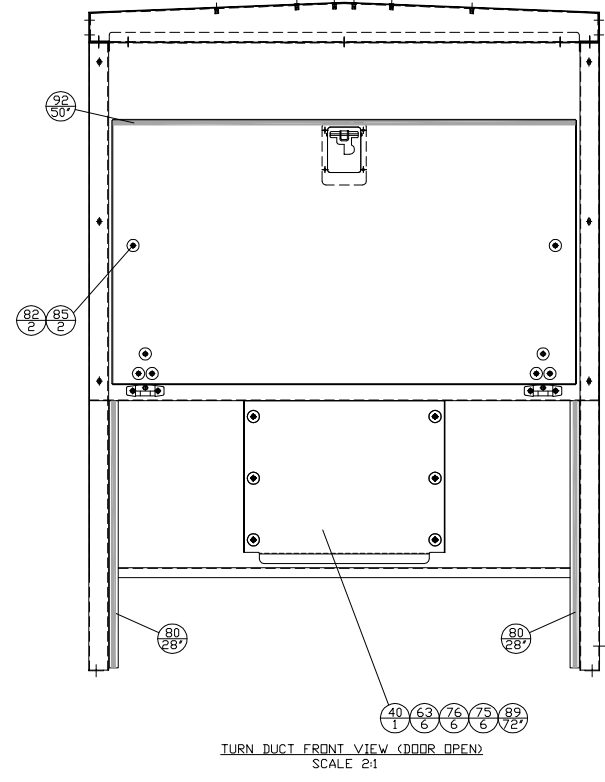
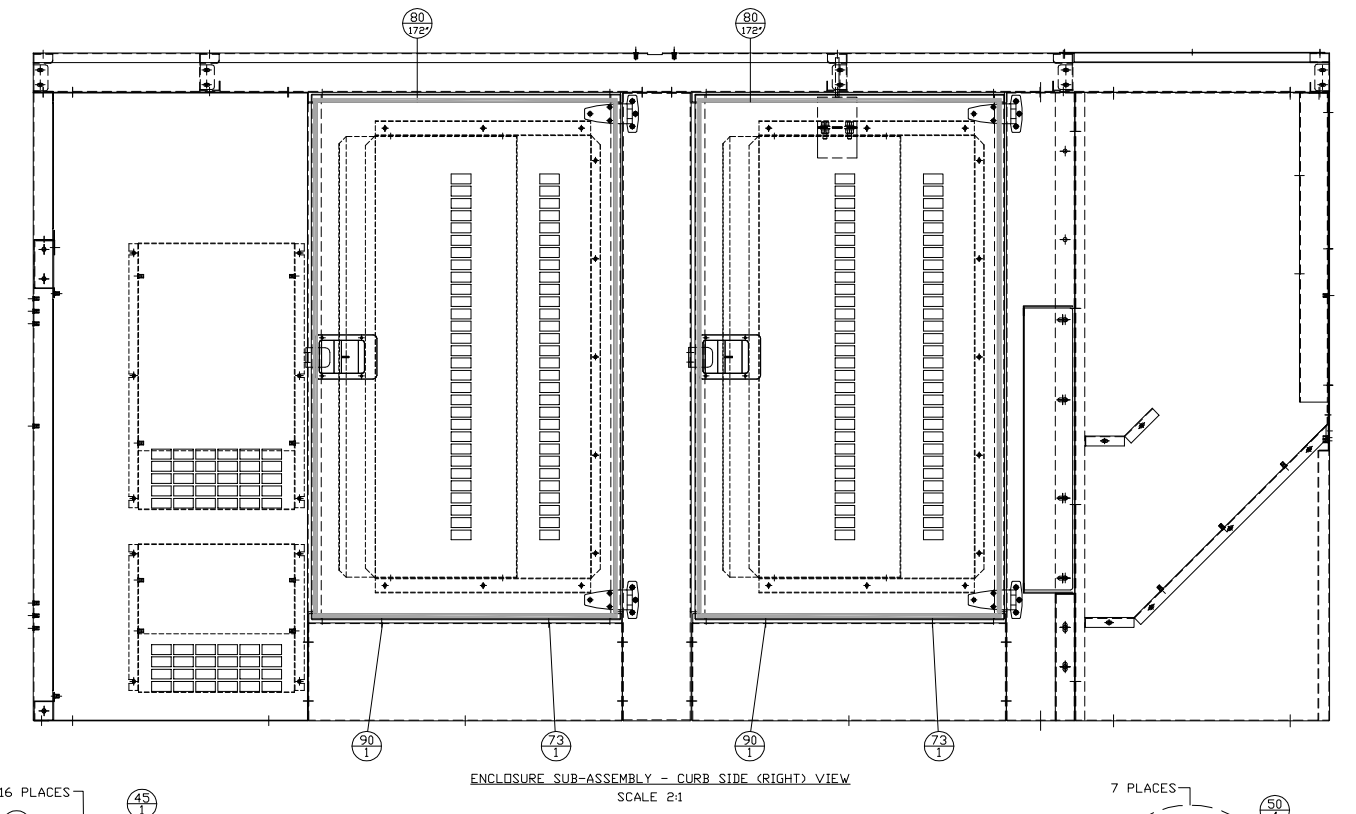
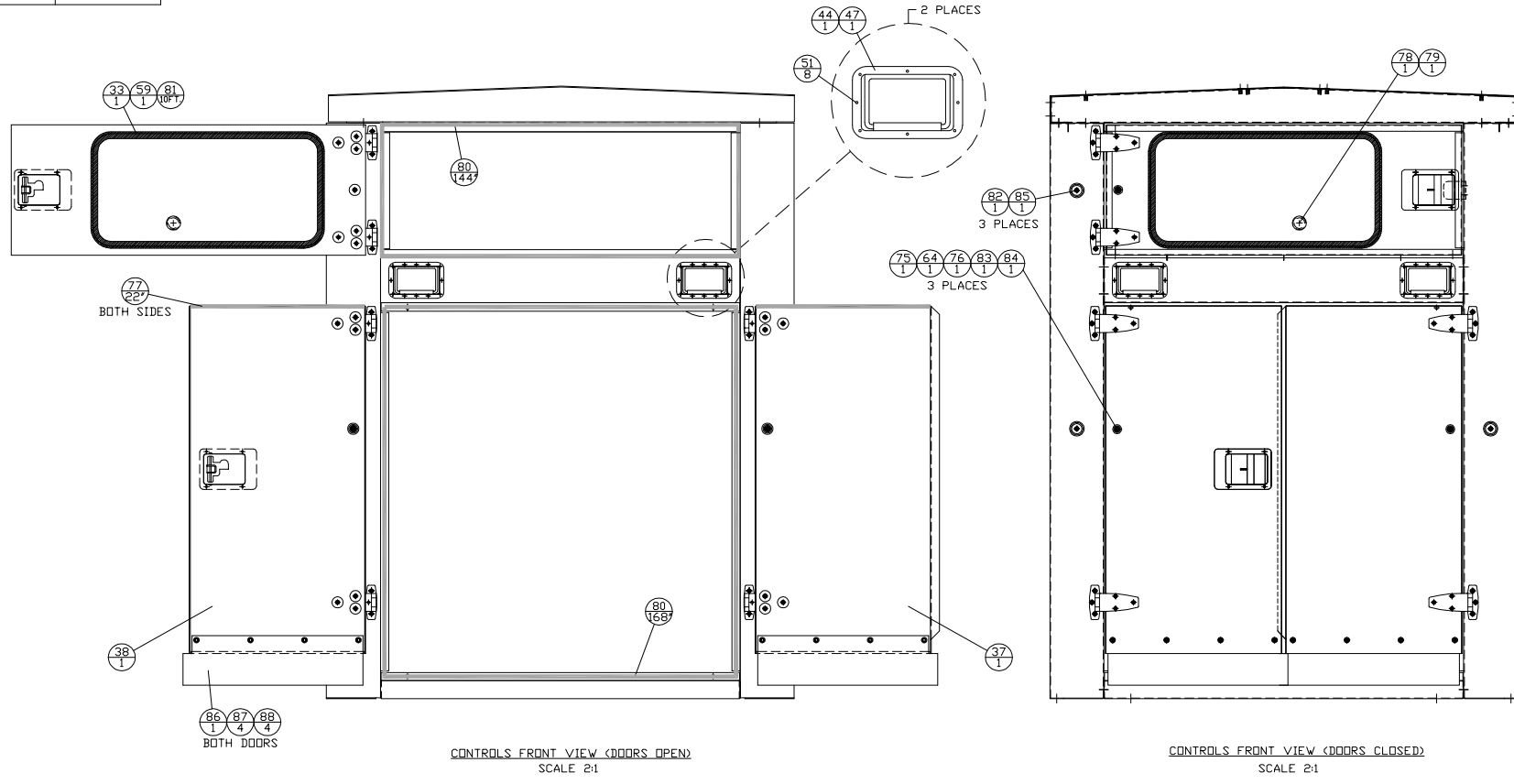


ENCLOSURE SUB-ASSEMBLY - STREET SIDE (LEFT) VIEW
SCALE 2:1

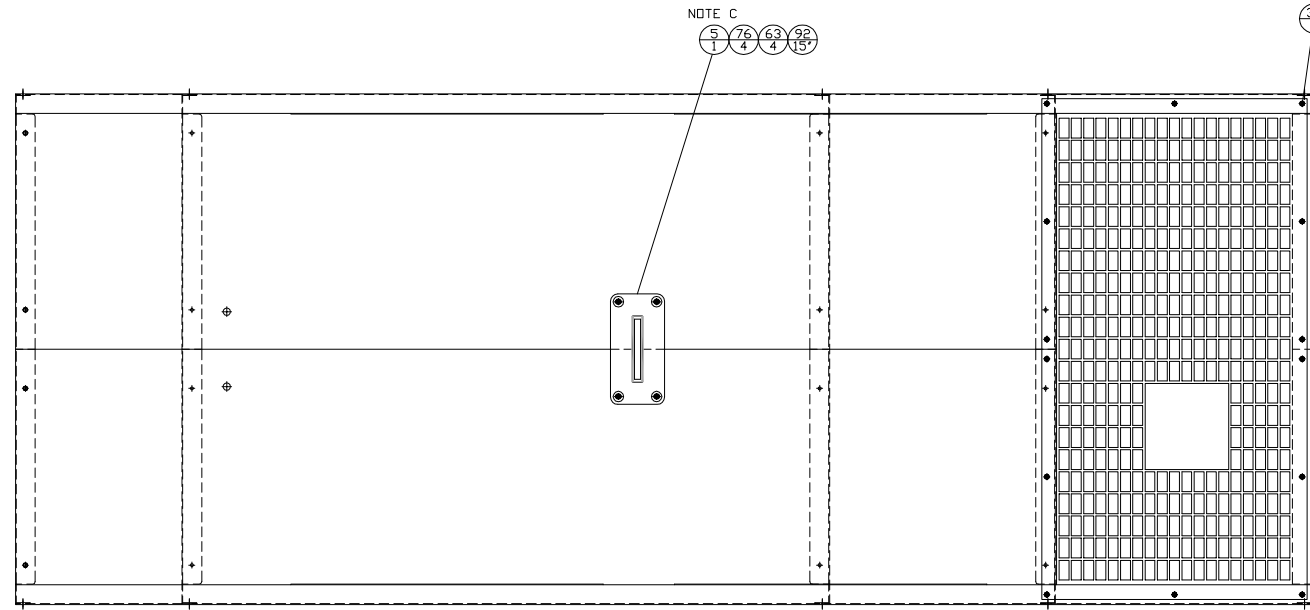


CONTROLS (FRONT) VIEW
SCALE 2:1

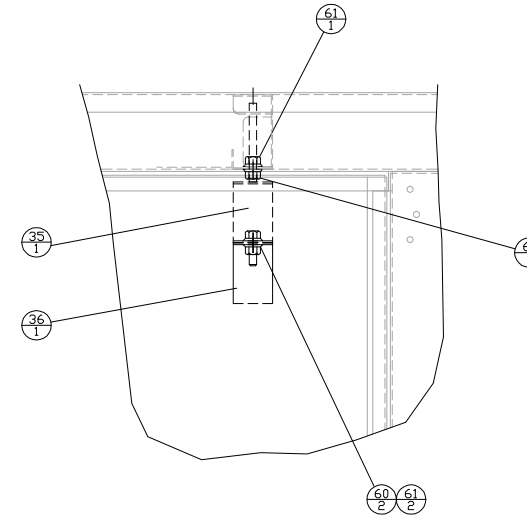
<p>4 UPDATED #42,60,61,63,66,78,79,80,81,82,83,84,85,86,87,88,89,90,91,92,93,94,95,96,97,98,99,100,101,102,103,104,105,106,107,108,109,110,111,112,113,114,115,116,117,118,119,120,121,122,123,124,125,126,127,128,129,130,131,132,133,134,135,136,137,138,139,140,141,142,143,144,145,146,147,148,149,150,151,152,153,154,155,156,157,158,159,160,161,162,163,164,165,166,167,168,169,170,171,172,173,174,175,176,177,178,179,180,181,182,183,184,185,186,187,188,189,190,191,192,193,194,195,196,197,198,199,200,201,202,203,204,205,206,207,208,209,210,211,212,213,214,215,216,217,218,219,220,221,222,223,224,225,226,227,228,229,230,231,232,233,234,235,236,237,238,239,240,241,242,243,244,245,246,247,248,249,250,251,252,253,254,255,256,257,258,259,260,261,262,263,264,265,266,267,268,269,270,271,272,273,274,275,276,277,278,279,280,281,282,283,284,285,286,287,288,289,290,291,292,293,294,295,296,297,298,299,300,301,302,303,304,305,306,307,308,309,310,311,312,313,314,315,316,317,318,319,320,321,322,323,324,325,326,327,328,329,330,331,332,333,334,335,336,337,338,339,340,341,342,343,344,345,346,347,348,349,350,351,352,353,354,355,356,357,358,359,360,361,362,363,364,365,366,367,368,369,370,371,372,373,374,375,376,377,378,379,380,381,382,383,384,385,386,387,388,389,390,391,392,393,394,395,396,397,398,399,400,401,402,403,404,405,406,407,408,409,410,411,412,413,414,415,416,417,418,419,420,421,422,423,424,425,426,427,428,429,430,431,432,433,434,435,436,437,438,439,440,441,442,443,444,445,446,447,448,449,450,451,452,453,454,455,456,457,458,459,460,461,462,463,464,465,466,467,468,469,470,471,472,473,474,475,476,477,478,479,480,481,482,483,484,485,486,487,488,489,490,491,492,493,494,495,496,497,498,499,500,501,502,503,504,505,506,507,508,509,510,511,512,513,514,515,516,517,518,519,520,521,522,523,524,525,526,527,528,529,530,531,532,533,534,535,536,537,538,539,540,541,542,543,544,545,546,547,548,549,550,551,552,553,554,555,556,557,558,559,560,561,562,563,564,565,566,567,568,569,570,571,572,573,574,575,576,577,578,579,580,581,582,583,584,585,586,587,588,589,590,591,592,593,594,595,596,597,598,599,600,601,602,603,604,605,606,607,608,609,610,611,612,613,614,615,616,617,618,619,620,621,622,623,624,625,626,627,628,629,630,631,632,633,634,635,636,637,638,639,640,641,642,643,644,645,646,647,648,649,650,651,652,653,654,655,656,657,658,659,660,661,662,663,664,665,666,667,668,669,670,671,672,673,674,675,676,677,678,679,680,681,682,683,684,685,686,687,688,689,690,691,692,693,694,695,696,697,698,699,700,701,702,703,704,705,706,707,708,709,710,711,712,713,714,715,716,717,718,719,720,721,722,723,724,725,726,727,728,729,730,731,732,733,734,735,736,737,738,739,740,741,742,743,744,745,746,747,748,749,750,751,752,753,754,755,756,757,758,759,760,761,762,763,764,765,766,767,768,769,770,771,772,773,774,775,776,777,778,779,780,781,782,783,784,785,786,787,788,789,790,791,792,793,794,795,796,797,798,799,800,801,802,803,804,805,806,807,808,809,810,811,812,813,814,815,816,817,818,819,820,821,822,823,824,825,826,827,828,829,830,831,832,833,834,835,836,837,838,839,840,841,842,843,844,845,846,847,848,849,850,851,852,853,854,855,856,857,858,859,860,861,862,863,864,865,866,867,868,869,870,871,872,873,874,875,876,877,878,879,880,881,882,883,884,885,886,887,888,889,890,891,892,893,894,895,896,897,898,899,900,901,902,903,904,905,906,907,908,909,910,911,912,913,914,915,916,917,918,919,920,921,922,923,924,925,926,927,928,929,930,931,932,933,934,935,936,937,938,939,940,941,942,943,944,945,946,947,948,949,950,951,952,953,954,955,956,957,958,959,960,961,962,963,964,965,966,967,968,969,970,971,972,973,974,975,976,977,978,979,980,981,982,983,984,985,986,987,988,989,990,991,992,993,994,995,996,997,998,999,1000</p>		<p>DATE: 04/18/14 BY: BML/JAM</p>		<p>ALTORFER ALTORFER POWER SYSTEMS 6315 W. FAUBER RD. BARTONVILLE, IL 61607 PHONE (309) 697-1234 FAX (309) 282-7546</p>	
<p>THIS DOCUMENT CONTAINS PROPRIETARY INFORMATION OF ALTORFER, INC. WITHOUT THE WRITTEN PERMISSION OF ALTORFER, INC., ANY COPYING OR OTHER USE EXCEPT THAT FOR WHICH IT WAS INTENDED IS PROHIBITED.</p>		<p>FILE: DF/47A SCALE/SHEET SIZE: 1=20/D DATE: 04/18/14</p>		<p>PROJECT REFERENCE: APS60-100 RENTAL PACKAGE DRAWN BY: BML/JAM DATE: 04/18/14</p>	
<p>TOLERANCES: X.X ± 0.100 X.XX ± 0.050 X.XXX ± 0.005</p>		<p>THIRD ANGLE PROJECTION SHEET 3 OF 5</p>		<p>QUOTE NUMBER WORK ORDER NUMBER DRAWING NUMBER: 47A132-C4</p>	
<p>TITLE: APS60-100 ENCLOSURE ASSEMBLY</p>					



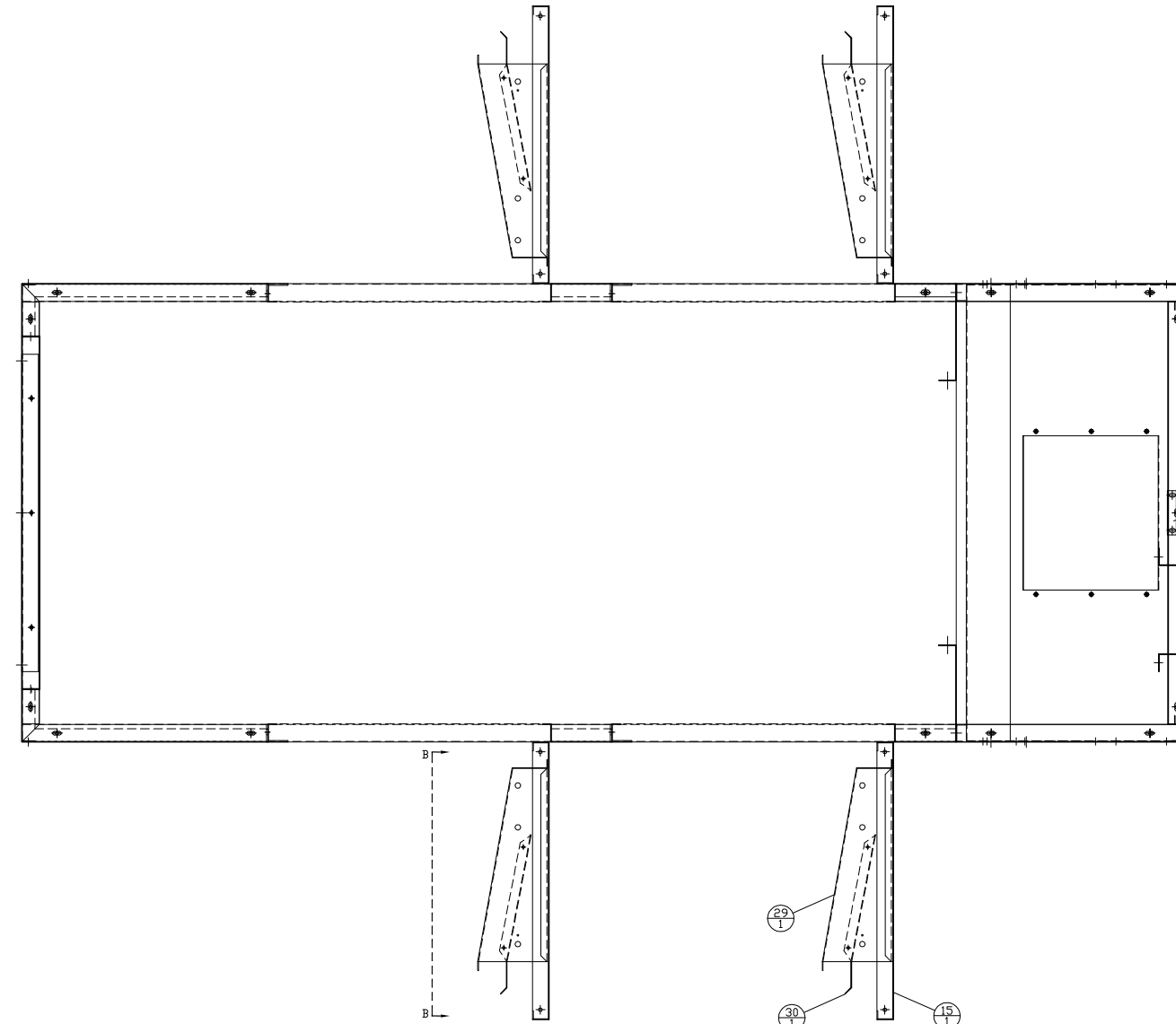
4 UPDATED #42.60.61.63.66.75.78.07/07/14 3 REVISIONS 2 REVISED SHEET LAYOUT 1 REVISED CALLOUT CONSIST	DATE: 03/26/14 BY: BML/JAM	ALTORFER 8315 W. FAUBER RD. PHONE (309) 697-1234 BARTONVILLE, IL 61607 FAX (309) 282-7546	ALTORFER POWER SYSTEMS PROJECT REFERENCE: APS60-100 RENTAL PACKAGE
	FILE: DF/47A SCALE/SHEET SIZE: 1=20/D DRAWN BY: BML/JAM DATE: 04/18/14 QUOTE NUMBER:		
ALL DIMENSIONS IN INCHES UNLESS OTHERWISE SPECIFIED TOLERANCES: X.X ± 0.100 X.XX ± 0.060 X.XXX ± 0.005 ANGLE: 1=20/D PROJECTION: 4 OF 5 SHEET:	WORK ORDER NUMBER:	DRAWING NUMBER: 47A132-D4	TITLE: APS60-100 ENCLOSURE ASSEMBLY



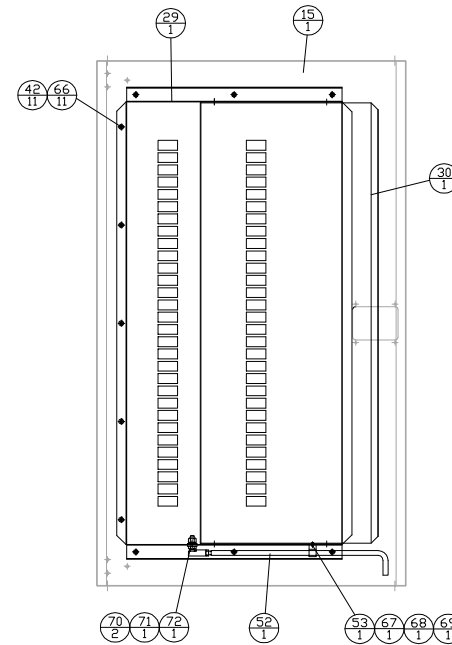
TOP VIEW - ROOF ASSEMBLY
SCALE=2:1



EXHAUST HANGAR DETAIL
SCALE=4:1



TOP VIEW - ROOF AS REMOVED
SCALE=2:1



SECTION B-B (ACCESS DOOR W/ SOUND BOX & DOOR BAFFLE)
(4 PLACES) SCALE 2:1

4 UPDATED #42,60,63,66,78,79,80/07/14 BML 3 REVISED ITEM 26 BML/BAJ 2 REVISED SHEET LAYOUT 04/15/14 BML/BAJ 1 REVISED CALLOUT CONSIST 02/27/14 BML/BAJ		ALTORFER 6315 W. FAUBER RD. PHONE (309) 697-1234 BARTONVILLE, IL 61607 FAX (309) 282-7546	
ALL DIMENSIONS IN INCHES UNLESS OTHERWISE SPECIFIED		FILE DF/47A	PROJECT REFERENCE APS60-100 RENTAL PACKAGE
TOLERANCES: .XX ± 0.100 .XXX ± 0.060 .XXXX ± 0.005	THIRD ANGLE PROJECTION	SCALE/SHEET SIZE 1=20/D	DRAWN BY BML/JAM
ANGULAR ± 1'		SHEET 5 OF 5	DATE 04/18/14
TITLE APS60-100 ENCLOSURE ASSEMBLY		WORK ORDER NUMBER DRAWING NUMBER 47A132-E4	