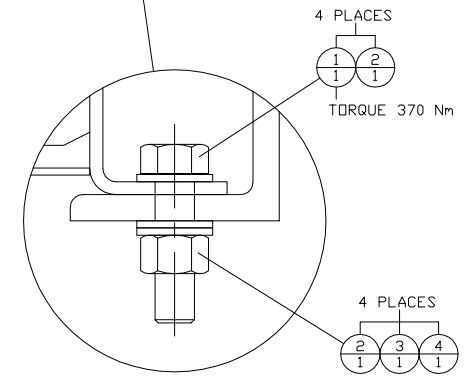
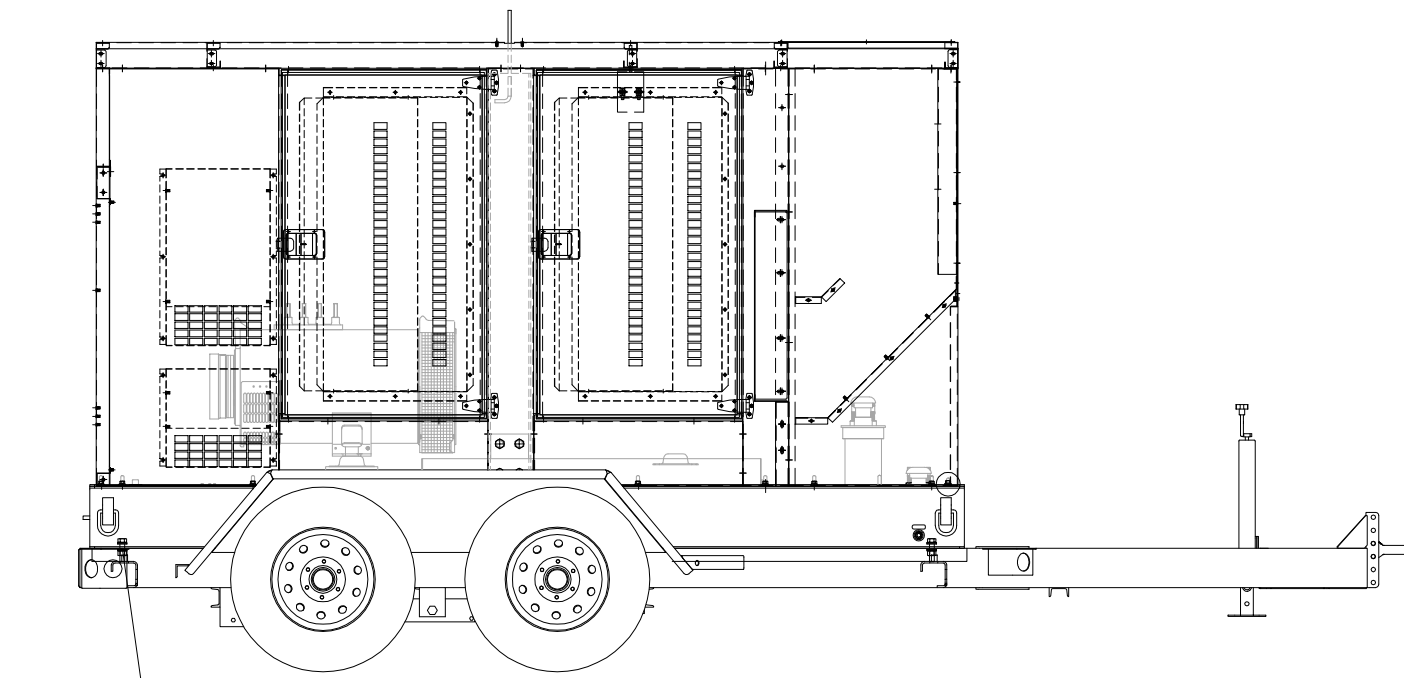
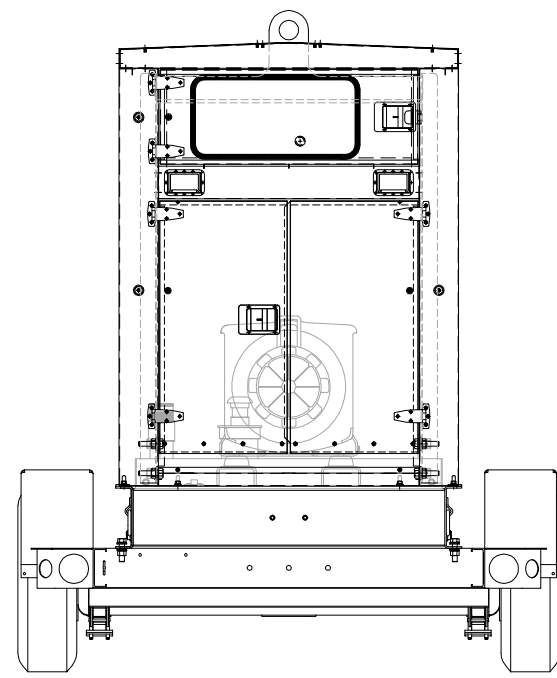
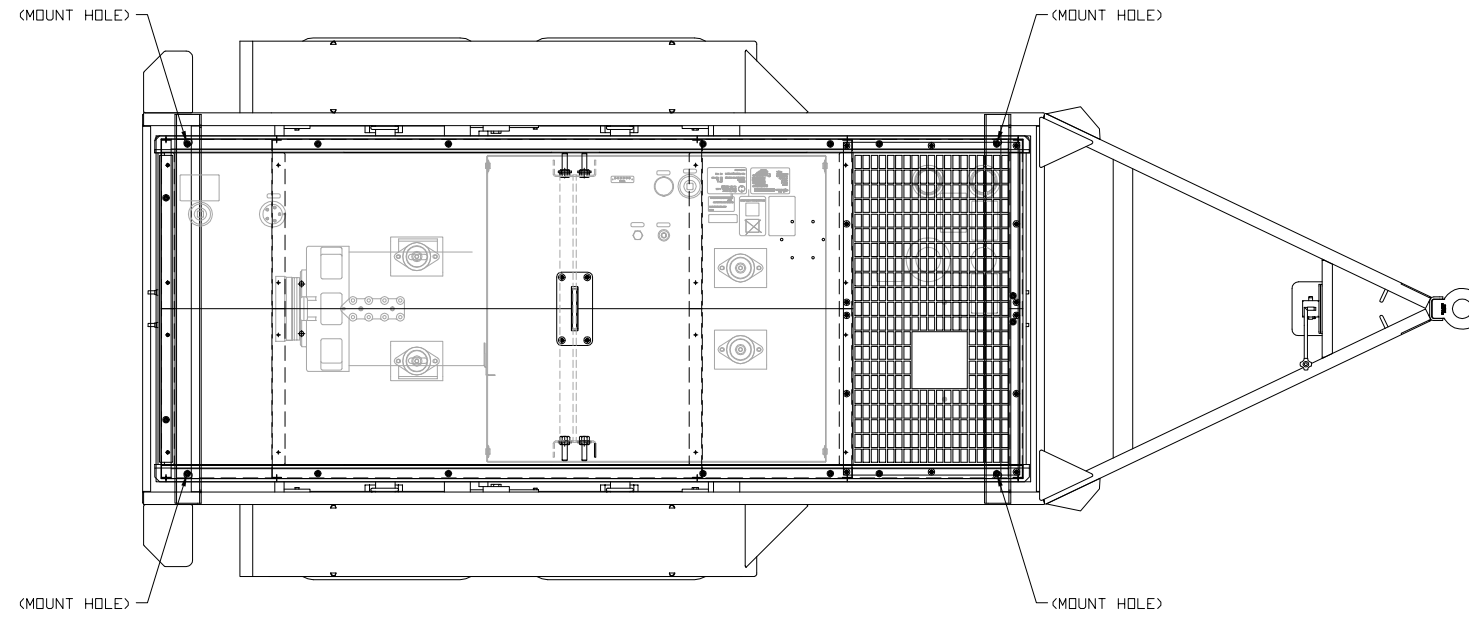


ITEM	QTY.	DESCRIPTION
1	4	8T-8924 - 3/4"-10NCx2.50" BOLT
2	8	8T-4994 - 3/4" FLAT WASHER
3	4	3B-4512 - 3/4" LOCK WASHER
4	4	6V-8182 - 3/4"-10NC NUT



DATE: 04/23/14		BY: [Signature]		ALTORFER 6315 W. FAUBER RD. PHONE (309) 697-1234 BARTONVILLE, IL 61807 FAX (309) 282-7546	
THIS DOCUMENT CONTAINS PROPRIETARY INFORMATION OF ALTORFER, INC. WITHOUT THE WRITTEN PERMISSION OF ALTORFER, INC., ANY COPYING OR OTHER USE EXCEPT THAT FOR WHICH IT WAS INTENDED IS PROHIBITED.					
REVISIONS	NO.	DATE	DESCRIPTION	FILE	PROJECT REFERENCE
	1		REVISED FOR PRODUCTION	DF/47A	APS60-100 RENTAL PACKAGE
	2		CHANGE NOTICE	SCALE/SHEET SIZE	DRAWN BY
	3		ANGULAR ± 1°	1=15/D	BML
TOLERANCES:			THIRD ANGLE PROJECTION	SHEET	DATE
XX ± 0.100				1 OF 1	11/25/13
X.XX ± 0.060					
X.XXX ± 0.005					
TITLE					DRAWING NUMBER
APS60-100 TRAILER MOUNTING GROUP					47A126-01