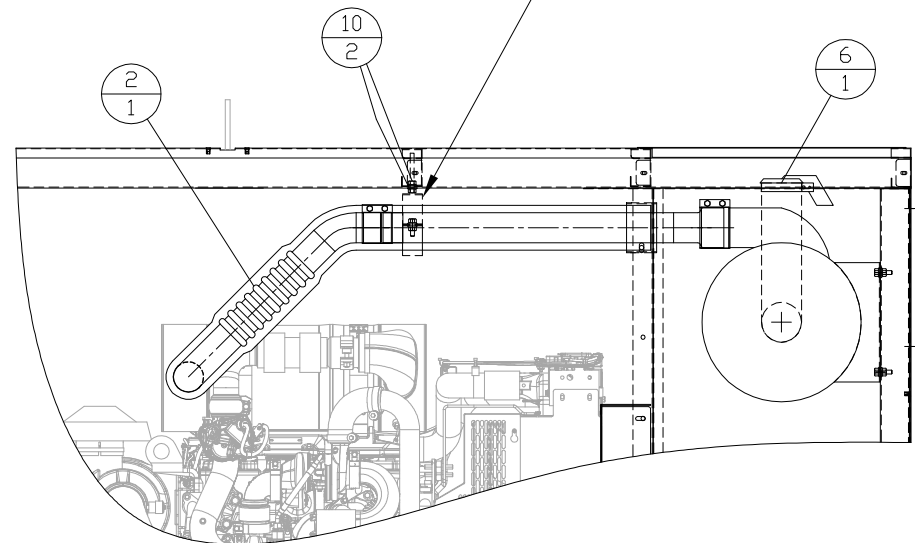
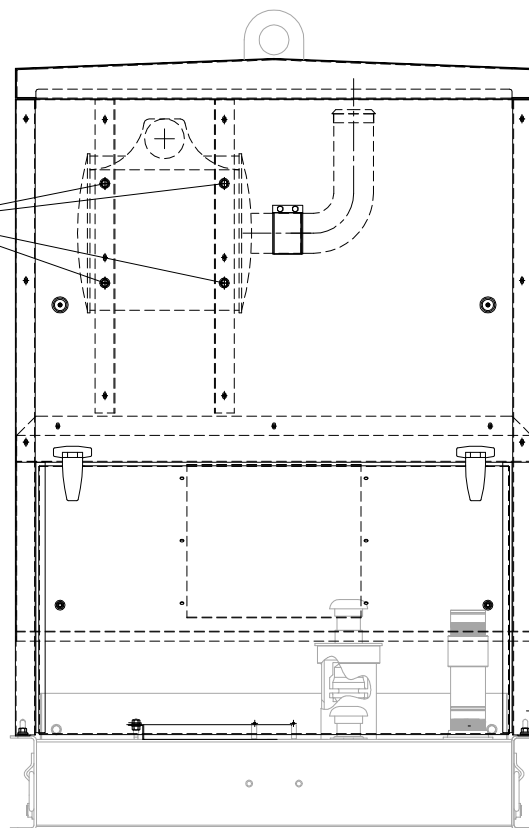


REF. (47C450 EXH. HANGER AS.) & (47C451 EXH. HANGER) TO BE RECEIVED IN (47C500 ENCL. PARTS GP.)



TORQUE = 47Nm



ITEM	QTY.	PART No.	DESCRIPTION	WEIGHT
1	1	49C154	SILENCER ASSEMBLY	81
2	1	47C130	EXHAUST FLEX ASSEMBLY	10
3	1	47C131	EXHAUST STRAIGHT PIPE	9
4	1	47C132	EXHAUST BLANKET GROUP	15
5	1	49C147	EXHAUST ELBOW	4
6	1	49C148	4" EXHAUST RAIN CAP	2
7	2	610404	4" EXHAUST SEAL CLAMP	2
8	1	610403	3" EXHAUST SEAL CLAMP	1
9	6	345-8531	3/8"-16x1" WHIZLOCK BOLT	-
10	8	198-2970	3/8"-16 WHIZLOCK NUT	-
11	1	SSC-300Z	3" EXHAUST WIRE CLAMP	1

TOTAL 125

06/13/14 BML/BAL 04/20/14 BML DATE BY			<b>ALTORFER POWER SYSTEMS</b> 6315 W. FAUBER RD.      PHONE (309) 697-1234 BARTONVILLE, IL 61607      FAX (309) 282-7546		
	THIS DOCUMENT CONTAINS PROPRIETARY INFORMATION OF ALTORFER, INC. WITHOUT THE WRITTEN PERMISSION OF ALTORFER, INC., ANY COPYING OR OTHER USE EXCEPT THAT FOR WHICH IT WAS INTENDED IS PROHIBITED				
UPDATED EXHAUST HANGER EXTENDED REDUCER 1.00" ADDED SPRINGS EXTENDED STRAIGHT PIPE 1.00" EXTENDED BLNKT 3.50" & MADE 1 PIECE CHANGE NOTICE	ALL DIMENSIONS IN INCHES UNLESS OTHERWISE SPECIFIED		FILE DF/47A	PROJECT REFERENCE APS100 RENTAL PACKAGE	
	TOLERANCES: X.X ± 0.100 X.XX ± 0.060 X.XXX ± 0.005	THIRD ANGLE PROJECTION	SCALE/SHEET SIZE 1=20/B	DRAWN BY BML	QUOTE NUMBER -
	ANGULAR ± 1°		SHEET 1 OF 1	DATE 09/20/13	WORK ORDER NUMBER -
2 1 3 NO.	TITLE APS100 EXHAUST MOUNTING GROUP			DRAWING NUMBER 47A114-2	