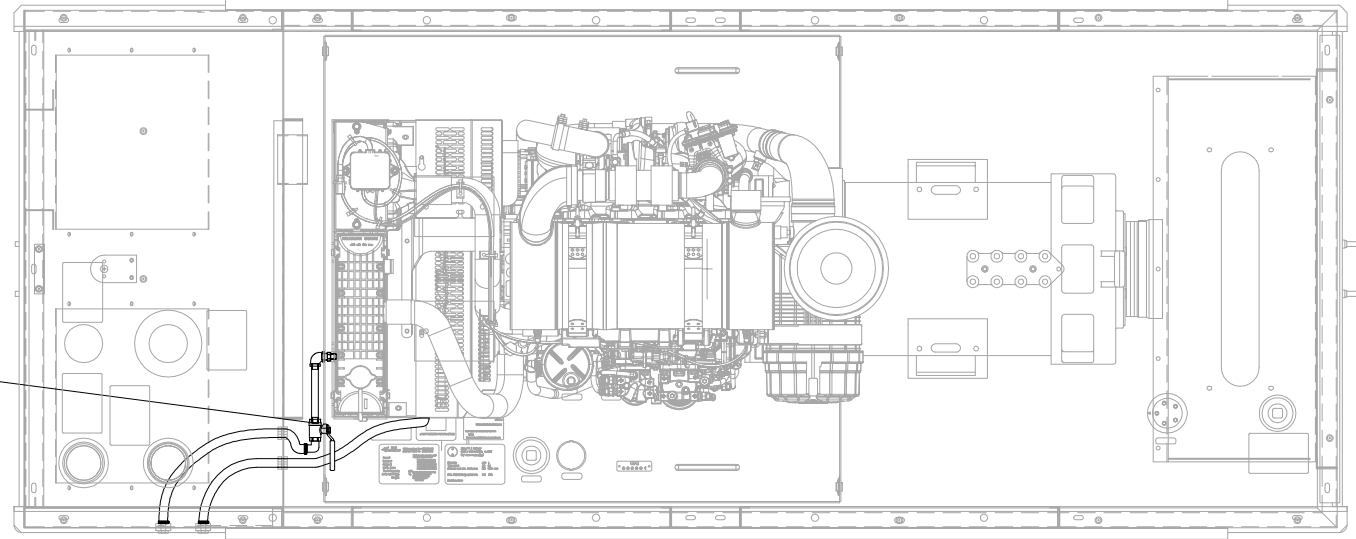
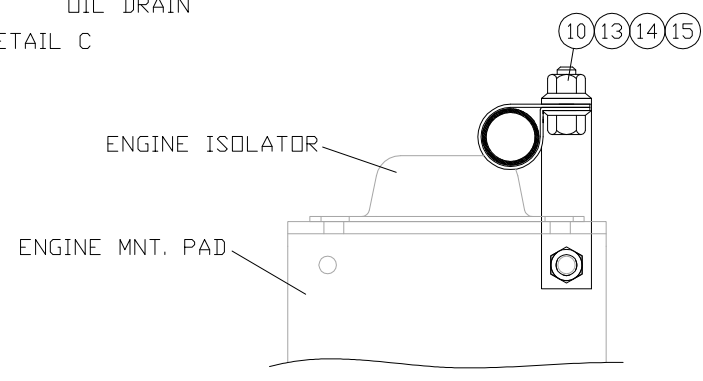
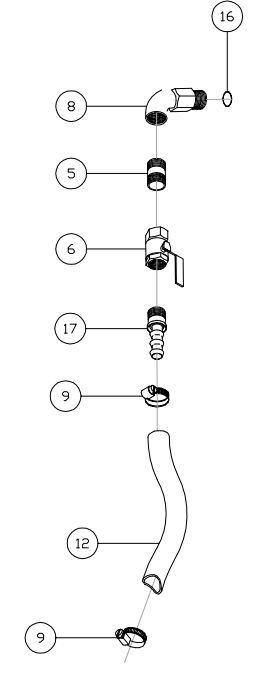
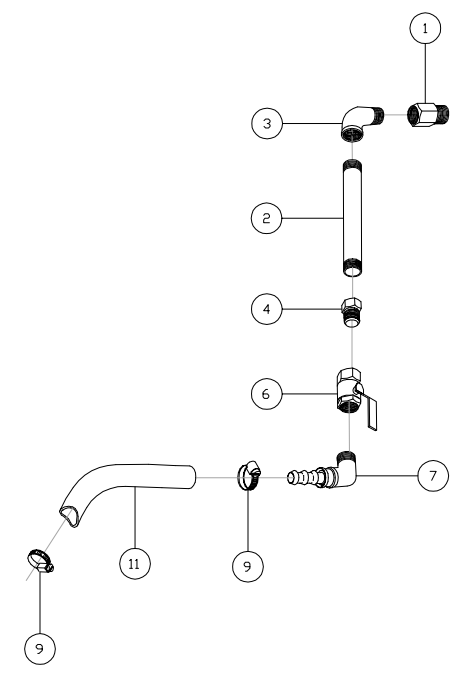
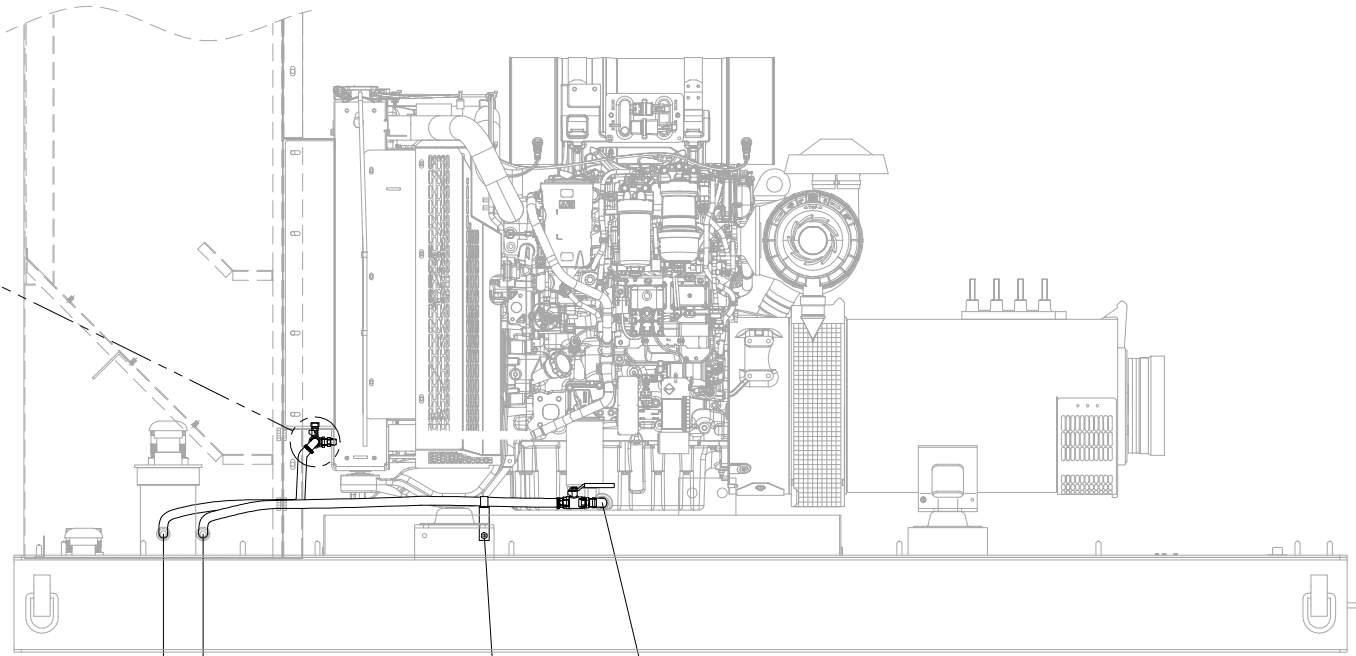
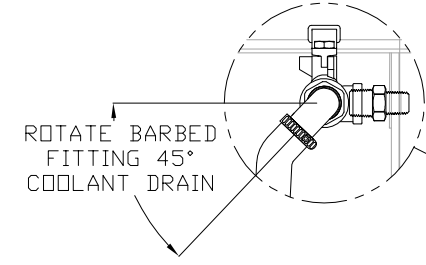


INCH 47A112-4



ITEM	QTY.	PART NO.	DESCRIPTION	WEIGHT
1	1	95206	ADAPTER - COOLANT DRAIN	-
2	1	PNPL146	NIPPLE 1/4" - 6"Lg	-
3	1	PSTE1490	90° STREET ELBOW 1/4"	-
4	1	PHB1438	HEX BUSHING 1/4" - 3/8"	-
5	1	PNPL38C	CLOSE NIPPLE	-
6	2	PBBV38	3/8" NPT BRASS BALL VALVE	-
7	1	008-6904	90° BARBED ELBOW	-
8	1	6I-6547	ADAPTER - OIL DRAIN	-
9	4	5D-1026	HOSE CLAMP 1.00"	-
10	1	7C-4354	VINYL CLAMP 1"	-
11	1	6V-8843	COOLANT HOSE 5/8" - 25"Lg	-
12	1	6V-8843	OIL HOSE 5/8" - 45"Lg	-
13	1	9N-1394	SUPPORT BRACKET	-
14	2	345-8531	3/8"-16x1.00" FLANGED BOLT	-
15	2	198-2970	3/8"-16 FLANGED NUT	-
16	1	048-0877	O-RING - 3/32x3/16 IDx3/4 OD #113 (OIL DRAIN)	-
17	1	91465K22	3/8" NPT x 5/8" BARBED STRAIGHT	-



DETAIL C

06/13/14 BML/BAL	04/23/14 BML	02/19/14 BML	02/17/14 BML	DATE BY		ALTORFER POWER SYSTEMS 6315 W. FAUBER RD. PHONE (309) 697-1234 BARTONVILLE, IL 61607 FAX (309) 282-7546		
UPDATED DETAIL A	UPDATED ITEM 16	ADDED ITEM 17	UPDATED HOSE CLAMPS UPDATED O-RING	CHANGE NOTICE		THIS DOCUMENT CONTAINS PROPRIETARY INFORMATION OF ALTORFER, INC. WITHOUT THE WRITTEN PERMISSION OF ALTORFER, INC., ANY COPYING OR OTHER USE EXCEPT THAT FOR WHICH IT WAS INTENDED IS PROHIBITED		
4	3	2	1	ND	ALL DIMENSIONS IN INCHES UNLESS OTHERWISE SPECIFIED TOLERANCES: X.X ± 0.100 X.XX ± 0.060 X.XXX ± 0.005 ANGULAR ± 1°	FILE DF/47A SCALE/SHEET SIZE 1=20/B SHEET 1 OF 1	PROJECT REFERENCE APS60-100 RENTAL PACKAGE DRAWN BY BML DATE 11/07/13	QUOTE NUMBER - WORK ORDER NUMBER - DRAWING NUMBER 47A112-4
TITLE						APS60-100 DRAINS MOUNTING GROUP		