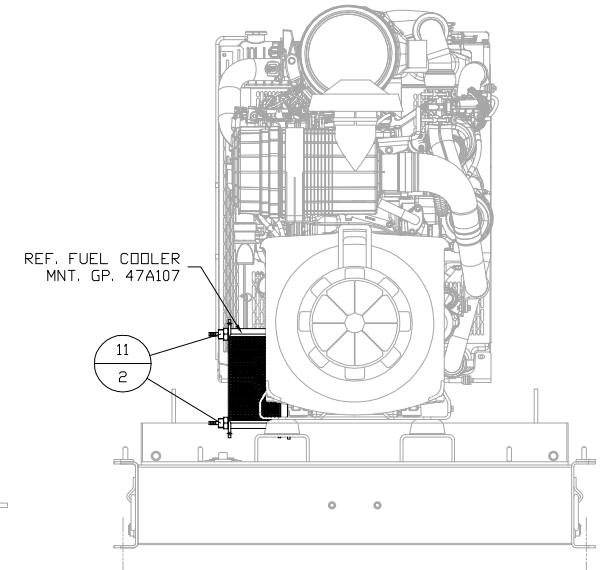
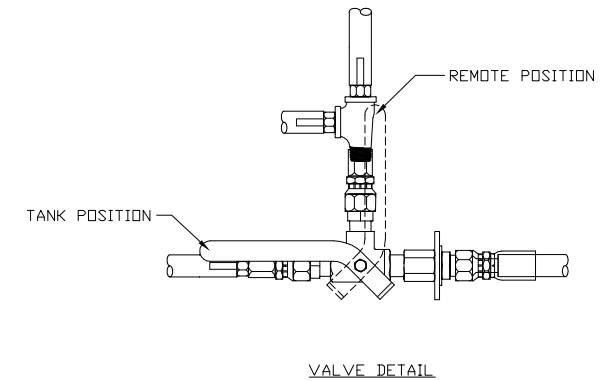
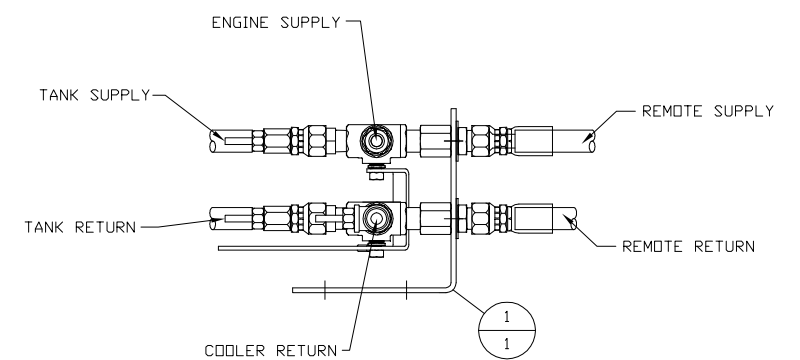
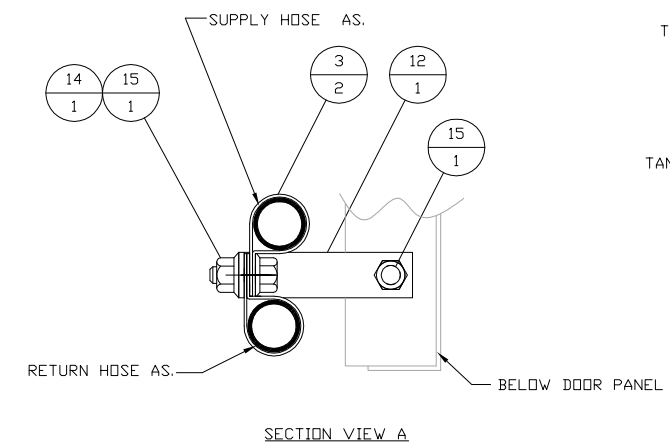
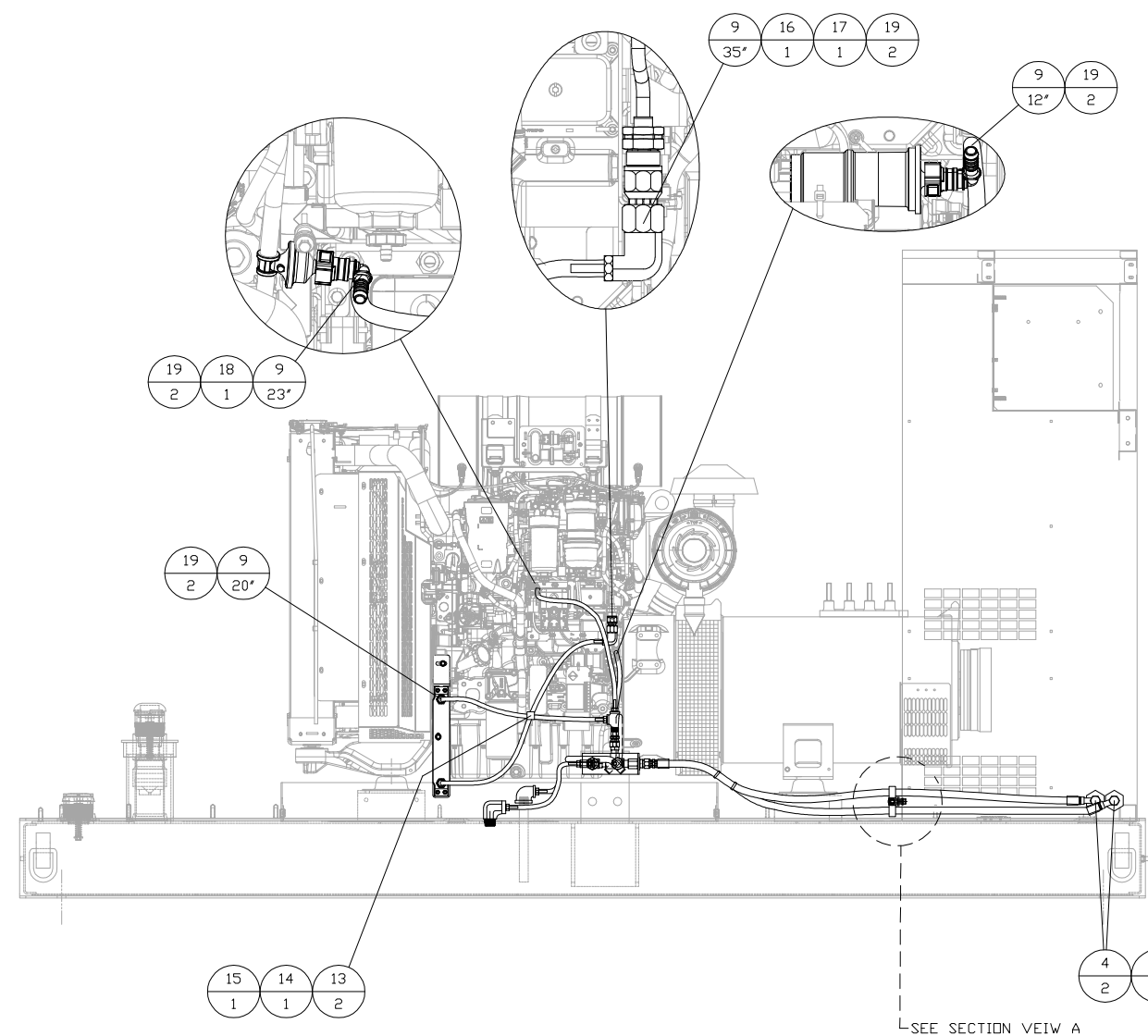


ITEM	QTY.	PART NO.	DESCRIPTION
1	1	47A135	3-WAY VALVE ASSEMBLY
2	2	3S-2093	TIE - STRAP
3	2	0708790	CLAMP - HOSE 3/4"
4	2	69908	BRASS PLUG - 3/4"NPT
5	2	10412-18229	BULKHEAD - 3/4"NPT
6	2	001-6412	ADAPTER - 3/4"NPT x 7/8"JIC
7	1	50925K516	90° RED. ELBOW - 1/2"NPT x 3/8"NPTF (RETURN)
8	1	44605K435	90° RED. ELBOW - 3/4"NPT x 3/8"NPT (SUPPLY)
9	132'	400056-131280	3/8" HOSE - FUEL
10	3	5350K37	BARBED FITTING 3/8" HOSE x 3/8" NPT FEMALE
11	2	278-BSPP-06-06	3/8" PUSH LOCK HOSE BARB x 3/8 FEMALE BSPP SWIVEL
12	1	9N-1394	BRACKET
13	2	0708773	CLAMP - HOSE 5/8"
14	2	345-8531	BOLT - FLANGED 3/8"NC
15	2	198-2970	NUT - FLANGED 3/8"NC
16	1	9J-6190	ADAPTER - 9/16"JIC FEMALE x 3/8"NPT FEMALE
17	1	5I-8883	90° BARBED FITTING 9/16"JIC MALE x 11/16" DRFS FEMALE
18	1	355-0632	CONNECTOR - FUEL 90°
19	12	1P-4278	3/8" CLAMP - HOSE



7	UPDATED ITEM #10 TO QTY. 3	09/10/14	BML
6	UPDATED ITEM #13 PART#	08/06/14	BML
5	UPDATED ITEM #10 TO QTY. 2	07/31/14	BML
4	PRODUCTION PROCESS CHANGE	07/31/14	BML
3	UPDATED ITEM #11	07/14/14	BML
2	CHANGED ITEM #18	06/10/14	BAL/RR
1	ADDED ITEM #29	05/20/14	BML

DATE BY

ALTORFER

ALTORFER POWER SYSTEMS
6315 W. FAUBER RD. PHONE (309) 697-1234
BARTONVILLE, IL 61607 FAX (309) 282-7546

THIS DOCUMENT CONTAINS PROPRIETARY INFORMATION OF ALTORFER, INC. WITHOUT THE WRITTEN PERMISSION OF ALTORFER, INC., ANY COPYING OR OTHER USE EXCEPT THAT FOR WHICH IT WAS INTENDED IS PROHIBITED.

FILE	DF/47A	PROJECT REFERENCE	APS60/100 RENTAL PACKAGE
TOLERANCES:	XXX ± 0.100	SCALE/SHEET SIZE	DRAWN BY
ANGLE	X.XX ± 0.060	PROJECTION	BML
ANGULAR ± 1°	X.XXX ± 0.005	SHEET	DATE
		1 OF 1	04/22/14
TITLE	APS60/100 FUEL LINES MOUNTING GROUP		DRAWING NUMBER
			47A111-07