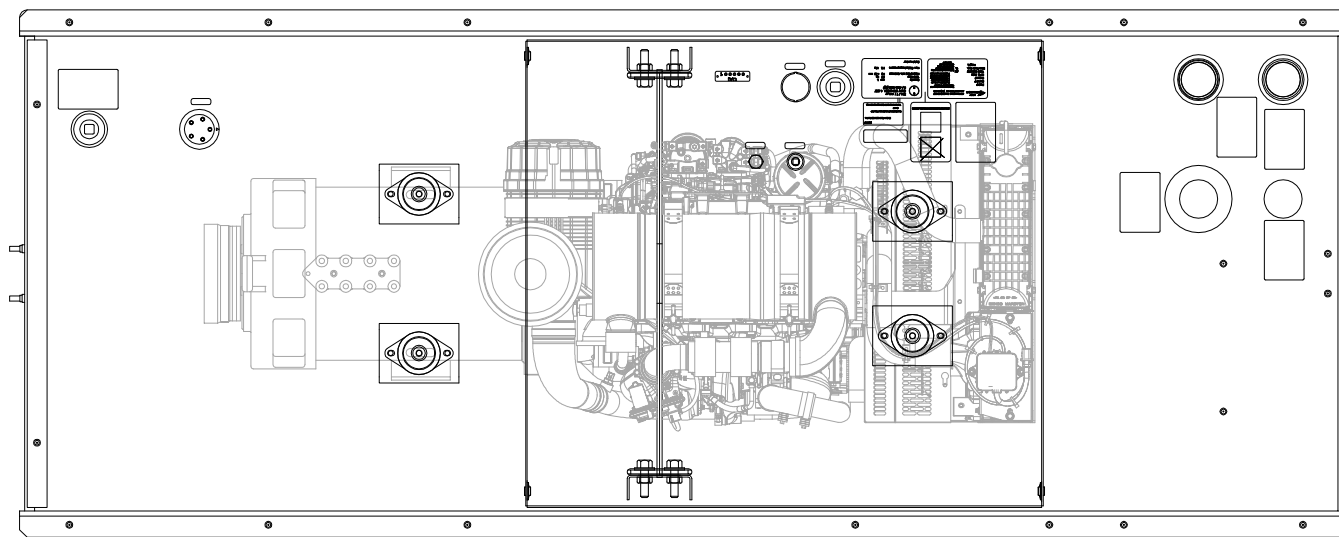
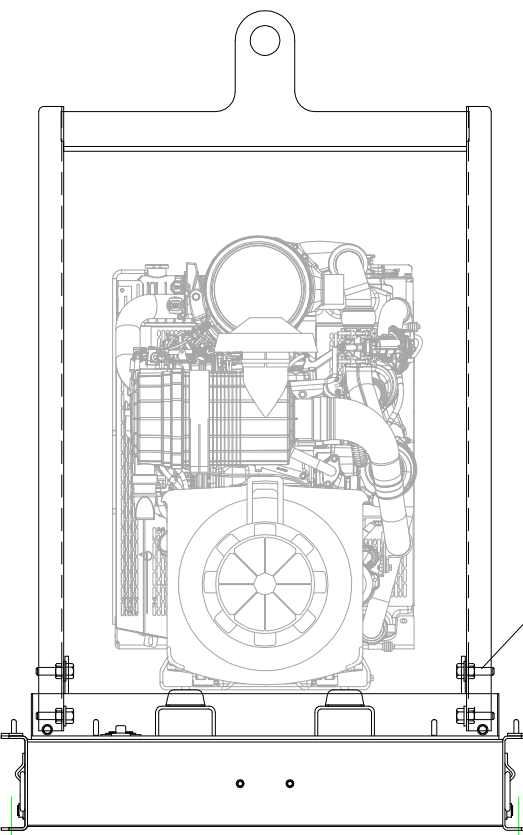


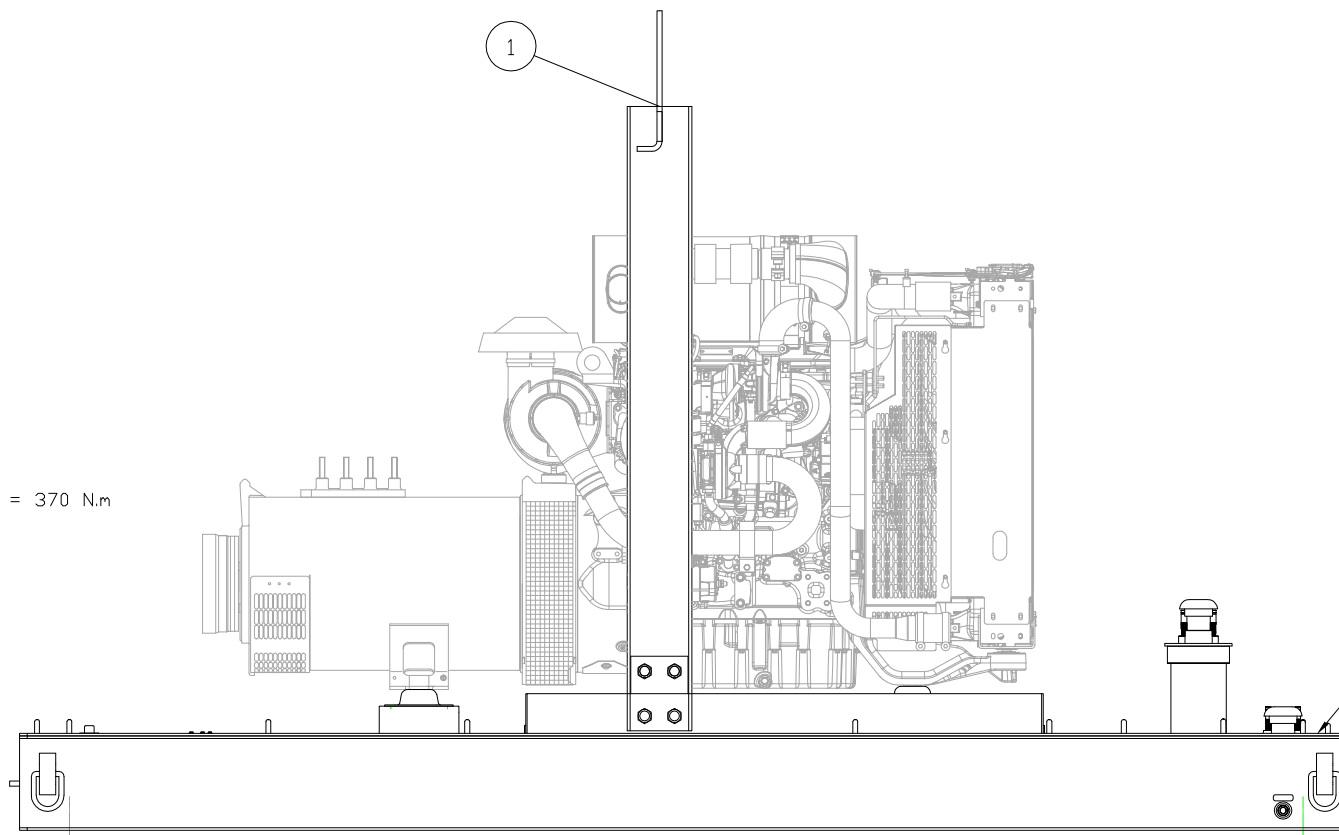
INCH 47A110-01



ITEM	QTY.	PART NO.	DESCRIPTION	WEIGHT
1	1	47B150	LIFT ARCH ASSEMBLY	57
2	8	8T-4994	FLAT WASHER 3/4"	-
3	8	1A-8063	BOLT 3/4"-10x2.5"	1
4	8	3B-4512	LOCK WASHER	-
TOTAL				58



TORQUE = 370 N.m
 4 3 2
 4 PLACES
 (BOTH SIDES)



REF. 47A109
 APS60-100 BASE AS.

NOTE : HAND TIGHTEN HARDWARE UNTIL ENCLOSURE MOUNTING GROUP IS COMPLETE, THEN APPLY TORQUE = 370 N.m

04/20/14 DMR DATE	BY	ALTORFER			ALTORFER POWER SYSTEMS		
		6315 W. FAUBER RD. BARTONVILLE, IL 61607		PHONE (309) 697-1234 FAX (309) 282-7546			
REVISE FOR PRODUCTION	CHANGE NOTICE	THIS DOCUMENT CONTAINS PROPRIETARY INFORMATION OF ALTORFER, INC. WITHOUT THE WRITTEN PERMISSION OF ALTORFER, INC., ANY COPYING OR OTHER USE EXCEPT THAT FOR WHICH IT WAS INTENDED IS PROHIBITED					
		ALL DIMENSIONS IN INCHES UNLESS OTHERWISE SPECIFIED	FILE DF/47A	PROJECT REFERENCE APS60-100 RENTAL PACKAGE			
		TOLERANCES: X.X ± 0.100 X.XX ± 0.060 X.XXX ± 0.005	THIRD ANGLE PROJECTION	SCALE/SHEET SIZE 1=20/B	DRAWN BY BML	QUOTE NUMBER	
		ANGULAR ± 1°		SHEET 1 OF 1	DATE 10/03/13	WORK ORDER NUMBER	
2	1	ND	TITLE APS60-100 LIFT ARCH MOUNTING GROUP			DRAWING NUMBER 47A110-01	