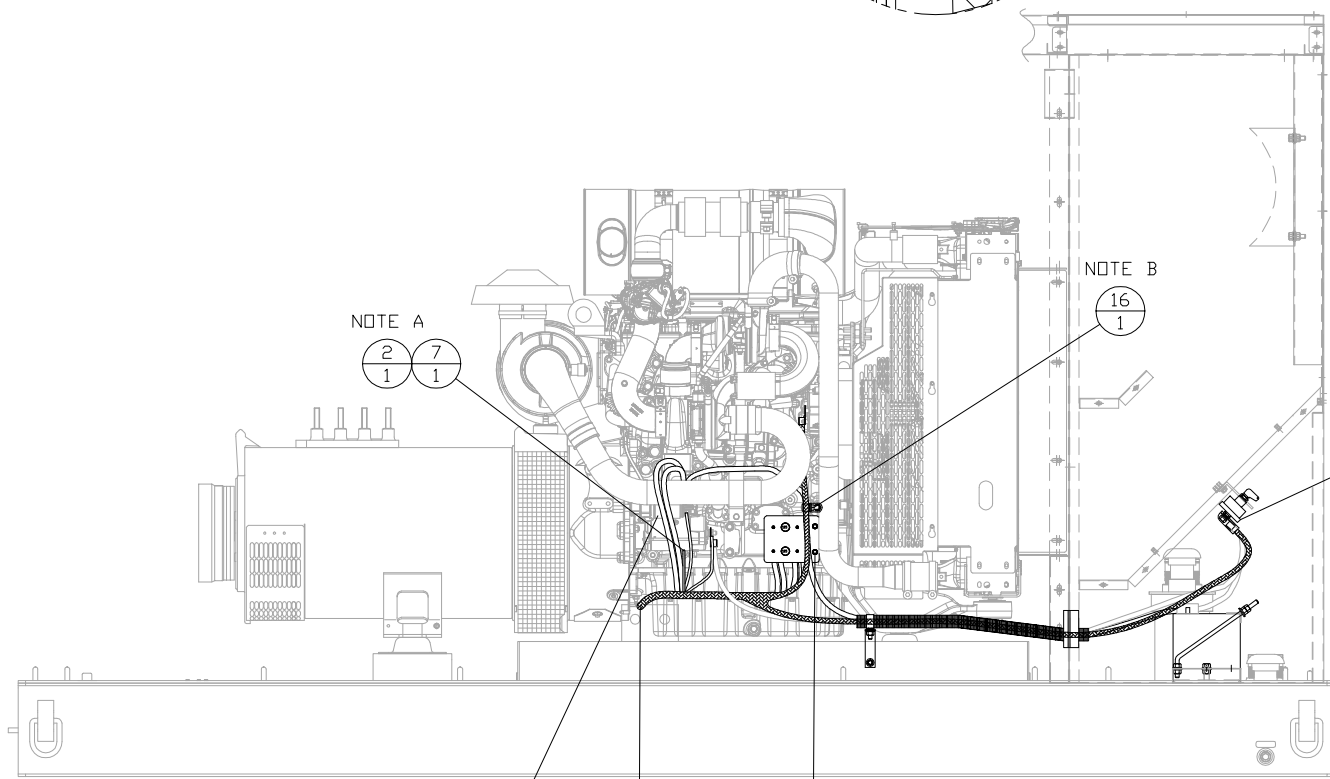


DETAIL B - STARTER WIRING  
SCALE 4:1

ITEM	QTY.	P/N	DESCRIPTION
1	1	47E106	ENGINE HARNESS - ENCP4.2
2	1	5P-1075	FLAT WASHER - M10
3	2	393-9062	SUPPORT BRACKET
4	2	7C-4354	VINYL CLAMP - 1"
5	2	345-8531	FLANGE HEAD BOLT 3/8"-16X1"
6	2	198-2970	FLANGE HEAD NUT - 3/8"
7	1	8T-4137	BOLT - M10x1.50x20mm
8	20	7K-1181	TYRAP
9	1	47E160	COOLANT LOSS SENSOR ASSY.
10	1	47C306	MOUNT - CIRCUIT BREAKER
11	2	171-2212	CIRCUIT BRAKER - 105A
12	4	6V-7978	SCREW - 10-32
13	72	5N-8360	1/2" LODM
14	40	6K-0806	TYRAP
15	1	116-6680	MAG-PICK UP
16	1	0708773	VINYL CLAMP - 3/4"
17	4	8T-4179	BOLT - M12x1.75x20mm
18	4	8T-4223	FLAT WASHER - M12
19	2	4P-7581	LADDER CLIP
20	2	8T-4205	FLAT WASHER - 1/4"
21	2	8T-8908	BOLT - 1/4"-20x1"
22	1	243-5027	NUT FLANGED M6

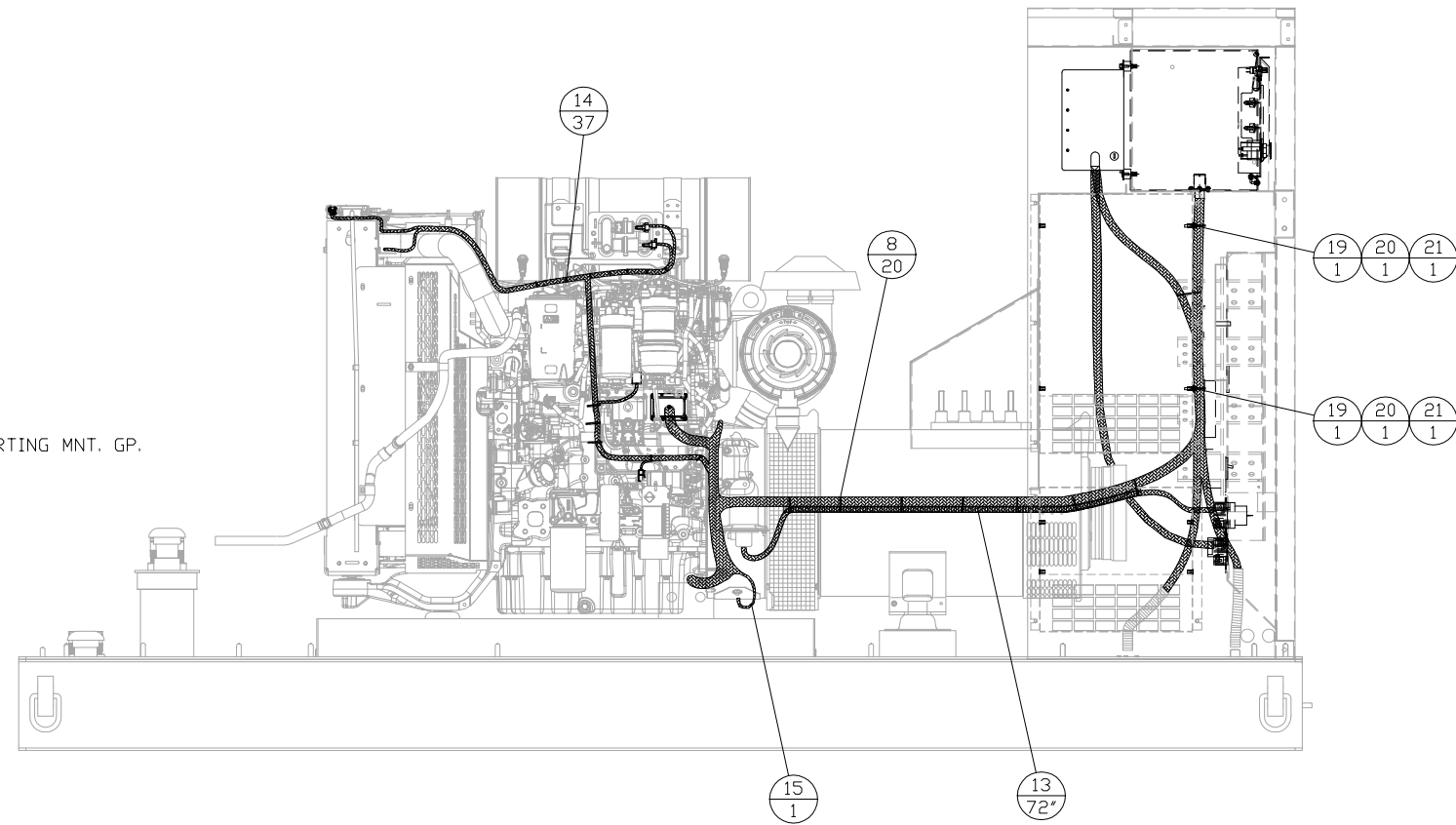


NOTE A  
2 1 7 1

NOTE B  
16 1

REF. STARTING MNT. GP.  
(47A130)

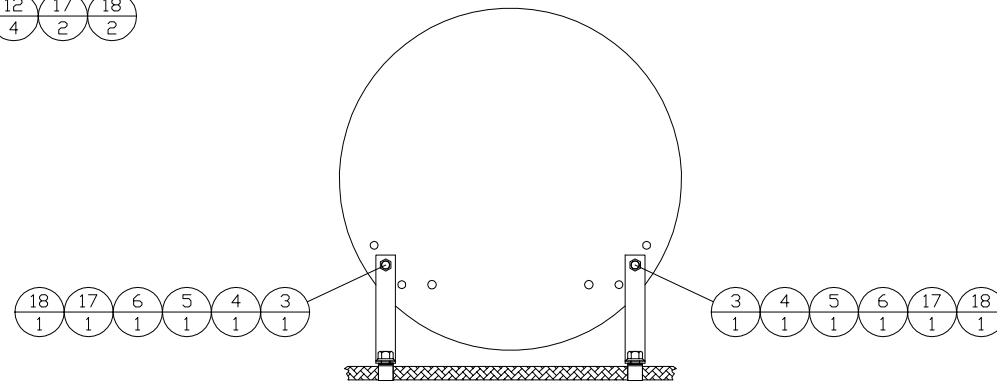
SEE DETIAL B  
SEE DETAIL A



NOTE A: CLEAN PAINT OFF ENGINE PORT HOLE BEFORE  
INSTALLING ENGINE HARNESS GROUND WIRE

NOTE B: INSTALL 3/4" VINYL CLAMP (0708773) WITH HARDWARE FROM  
STARTING MOUNTING GROUP (47A130)

NOTE C: TY WRAP ENGINE HARNESS SEPERATE FROM THE CEM WIRES



DETAIL A  
BACK SIDE OF FLY WHEEL HOUSING  
SCALE 2:1

REVISIONS		DATE		BY	
8	UPDATED ITEM #16	11/06/14	BML		
7	ADDED WIRING DETAIL	08/27/14	BML		
6	ADDED ITEM #22 M6 NUT	07/07/14	BML		
5	ADDED HARDWARE	07/07/14	BML		
4	PRODUCTION UPDATE	07/07/14	BML		
3	ADD MAG PICK UP	6/25/15	BML		
2	COOLANT LOSS SENSOR	6/25/14	BML		
1	REVISE FOR PRODUCTION	4/11/14	BML		
ND	CHANGE NOTICE				

<b>ALTORFER</b>		<b>ALTORFER POWER SYSTEMS</b>	
6315 W. FAUBER RD. BARTONVILLE, IL 61607		PHONE (309) 697-1234 FAX (309) 282-7546	
THIS DOCUMENT CONTAINS PROPRIETARY INFORMATION OF ALTORFER, INC. WITHOUT THE WRITTEN PERMISSION OF ALTORFER, INC., ANY COPYING OR OTHER USE EXCEPT THAT FOR WHICH IT WAS INTENDED IS PROHIBITED.		PROJECT REFERENCE	
ALL DIMENSIONS IN INCHES UNLESS OTHERWISE SPECIFIED		DF/47A	APS60/100 TEIR 4 RENTAL UNITS
TOLERANCES: XX ± 0.100 XXX ± 0.060 XXXX ± 0.005	THIRD ANGLE PROJECTION	SCALE/SHEET SIZE 1=10/D	DRAWN BY D. ROLING
ANGULAR ± 1'		SHEET 1 OF 1	DATE 12/03/2003
TITLE MOUNTING GROUP - ENGINE HARNESS			WORK ORDER NUMBER -
			DRAWING NUMBER 47A106-8