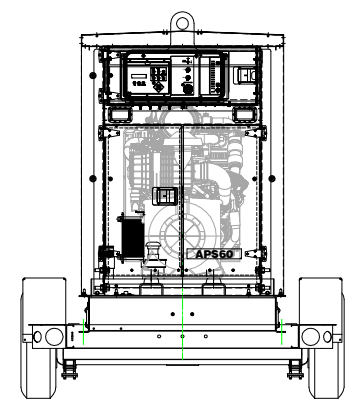
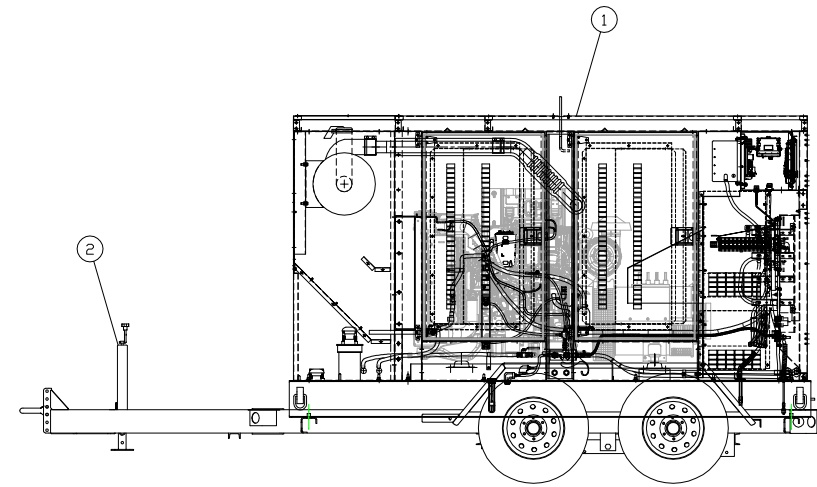
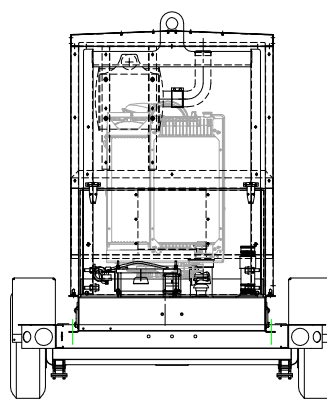
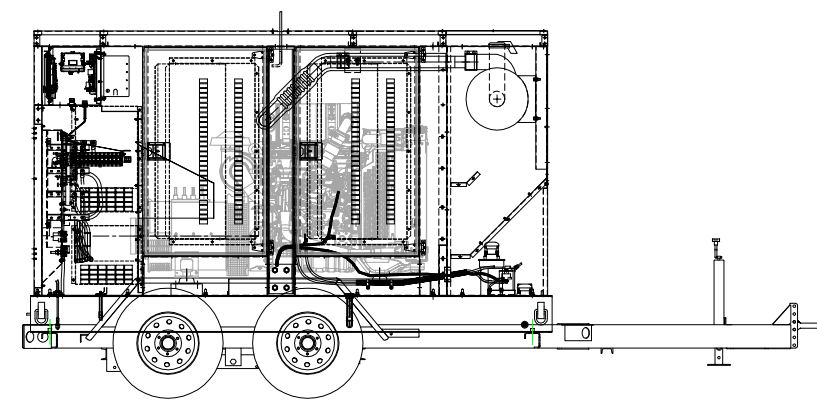
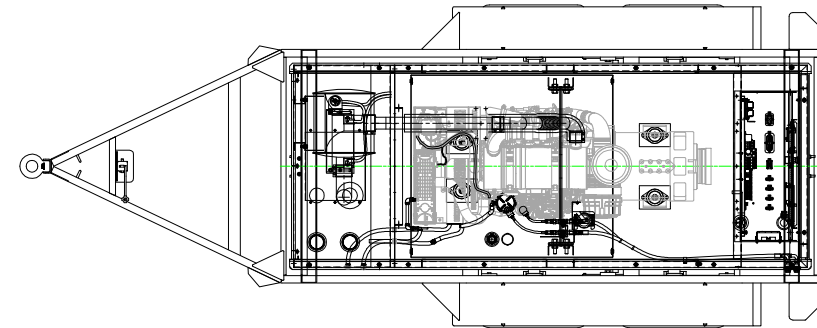


INCH 47A103

ITEM	QTY.	PART NO.	DESCRIPTION	WEIGHT
1	1	47A101	APS60 PACKAGE ARRANGEMENT-QV	XX
2	1	47A127	TRAILER ARRANGEMENT	XX



		<b>ALTORFER POWER SYSTEMS</b> 6315 W. FAUBER RD.      PHONE (309) 697-1234 BARTONVILLE, IL 61607      FAX (309) 282-7546			
		<small>THIS DOCUMENT CONTAINS PROPRIETARY INFORMATION OF ALTORFER, INC. WITHOUT THE WRITTEN PERMISSION OF ALTORFER, INC., ANY COPYING OR OTHER USE EXCEPT THAT FOR WHICH IT WAS INTENDED IS PROHIBITED.</small>			
CHANGE NOTICE 1	ALL DIMENSIONS IN INCHES UNLESS OTHERWISE SPECIFIED	FILE DF/47A	PROJECT REFERENCE APS60 RENTAL PACKAGE		
	TOLERANCES: .XX ± 0.100 .XXX ± 0.060 .XXXX ± 0.005	THIRD ANGLE PROJECTION	SCALE/SHEET SIZE 1=35/C	DRAWN BY BML	QUOTE NUMBER -
	ANGULAR ± 1°		SHEET 1 OF 1	DATE 04/21/14	WORK ORDER NUMBER -
	TITLE APS60 PACKAGE ARRANGEMENT W/ TRAILER-QV			DRAWING NUMBER 47A103	