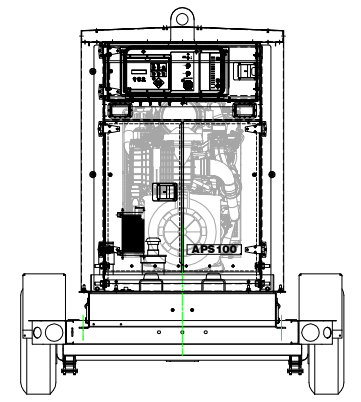
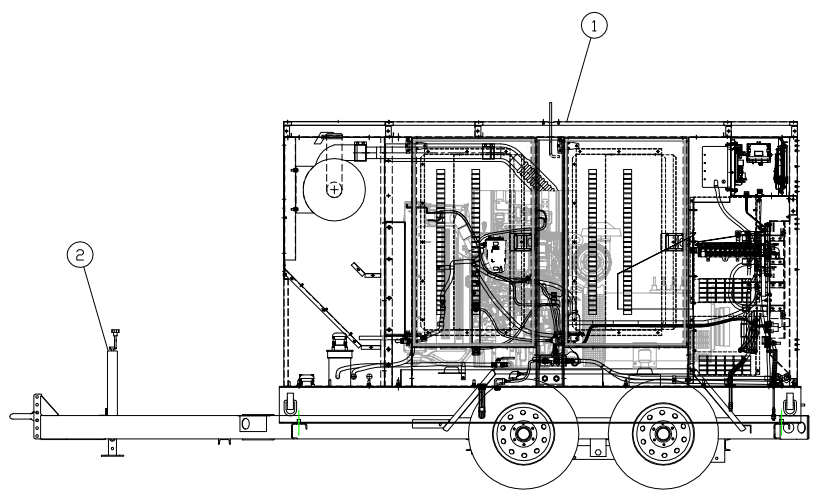
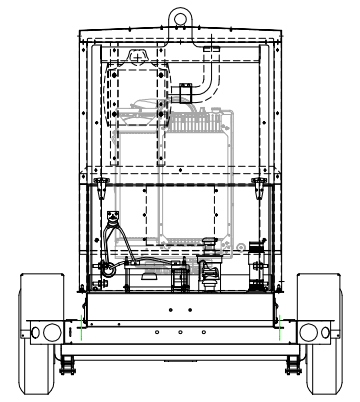
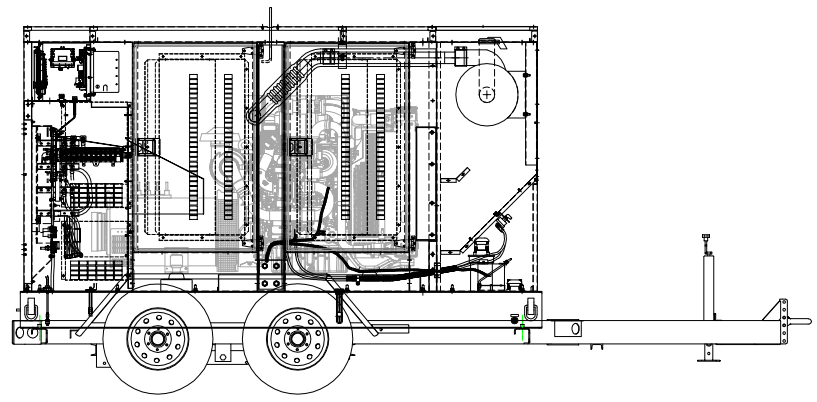
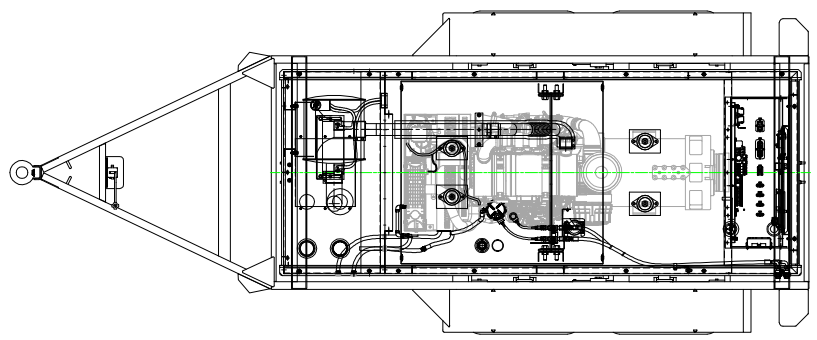


INCH 47A102

ITEM	QTY.	PART NO.	DESCRIPTION	WEIGHT
1	1	47A100	APS100 PACKAGE ARRANGEMENT-QV	XX
2	1	47A127	TRAILER ARRANGEMENT	XX



		ALTORFER POWER SYSTEMS 6315 W. FAUBER RD. PHONE (309) 697-1234 BARTONVILLE, IL 61607 FAX (309) 282-7546			
		THIS DOCUMENT CONTAINS PROPRIETARY INFORMATION OF ALTORFER, INC. WITHOUT THE WRITTEN PERMISSION OF ALTORFER, INC., ANY COPYING OR OTHER USE EXCEPT THAT FOR WHICH IT WAS INTENDED IS PROHIBITED.		PROJECT REFERENCE APS100 RENTAL PACKAGE	
CHANGE NOTICE NO. 1	ALL DIMENSIONS IN INCHES UNLESS OTHERWISE SPECIFIED	FILE DF/47A	SCALE/SHEET SIZE 1=35/C		
	TOLERANCES: .XX ± 0.100 X.XX ± 0.050 X.XXX ± 0.005	THIRD ANGLE PROJECTION	DRAWN BY BML	QUOTE NUMBER -	
	ANGULAR ± 1°		SHEET 1 OF 1	DATE 04/21/14	WORK ORDER NUMBER -
	TITLE APS100 PACKAGE ARRANGEMENT W/ TRAILER-QV				DRAWING NUMBER 47A102