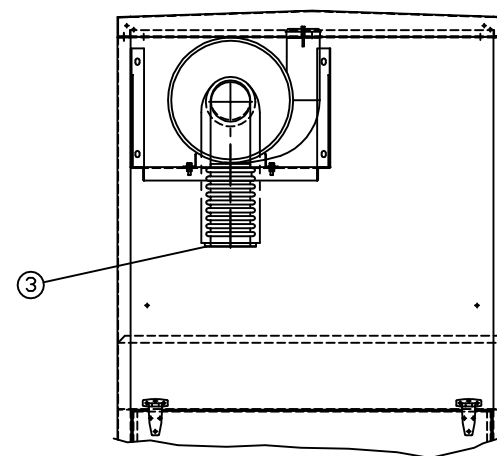
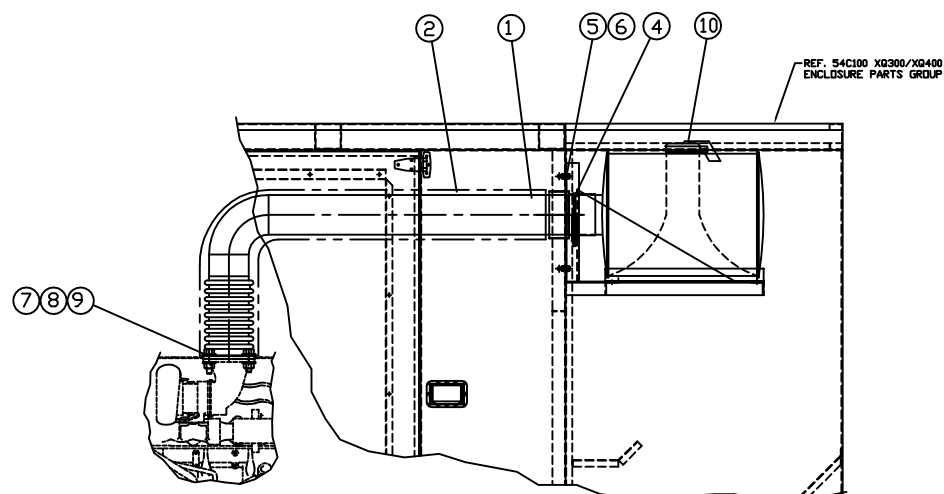
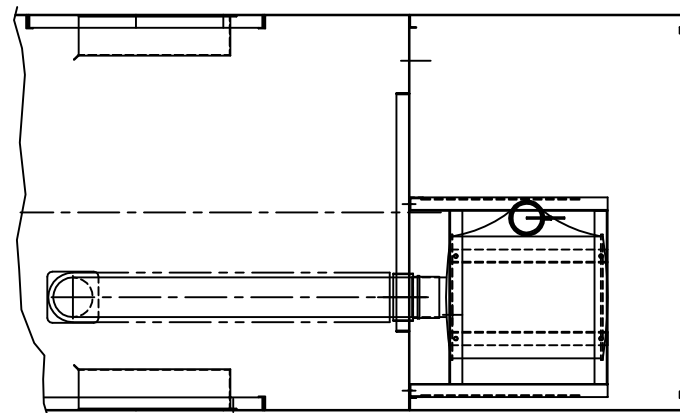


COMP	QTY	DESCRIPTION	WEIGHT
1	1	54C190 - EXHAUST FLEX ASSEMBLY	39
2	1	54C173 - EXHAUST BLANKET	15
3	1	5H-8331 - GASKET	-
4	1	54C176 - CLAMP	2
5	4	345-8531 - 3/8-16NCx1.00 WHIZLOCK BOLT	-
6	4	198-2970 - 3/8-16NC WHIZLOCK NUT	-
7	4	7X-0346 - 5/8"-11NCx2.00 BOLT	-
8	4	7X-0448 - 5/8"-11NC NUT	-
9	8	8T-4122 - 5/8" FLAT WASHER	-
10	1	54C177 - RAINCAP	2
TOTAL			58



### XQ300/400 EXHAUST GROUP



**ALTORFER POWER SYSTEMS**

#1 CAPITOL DRIVE P.O. BOX 2550 PH. 309-694-1234  
EAST PEDRIA, IL. 61611-0550 FAX 309-694-1262



		JOB REF XQ400-REMAN EXHAUST GROUP	
		DRN BY K. NUNN	QUOTE NO.
		DATE 11/10/03	W/D NUMBER
1	UPDATE FOR P/N CHANGES	D.R.	12/22/2015
NO.	DESCRIPTION OF CHANGE	BY	DATE
PROPRIETARY INFORMATION UNAUTHORIZED DUPLICATION PROHIBITED		SCALE 1=20	FILE
		SHEET 1 OF 1	DRAWING NO. 54C189-RM1