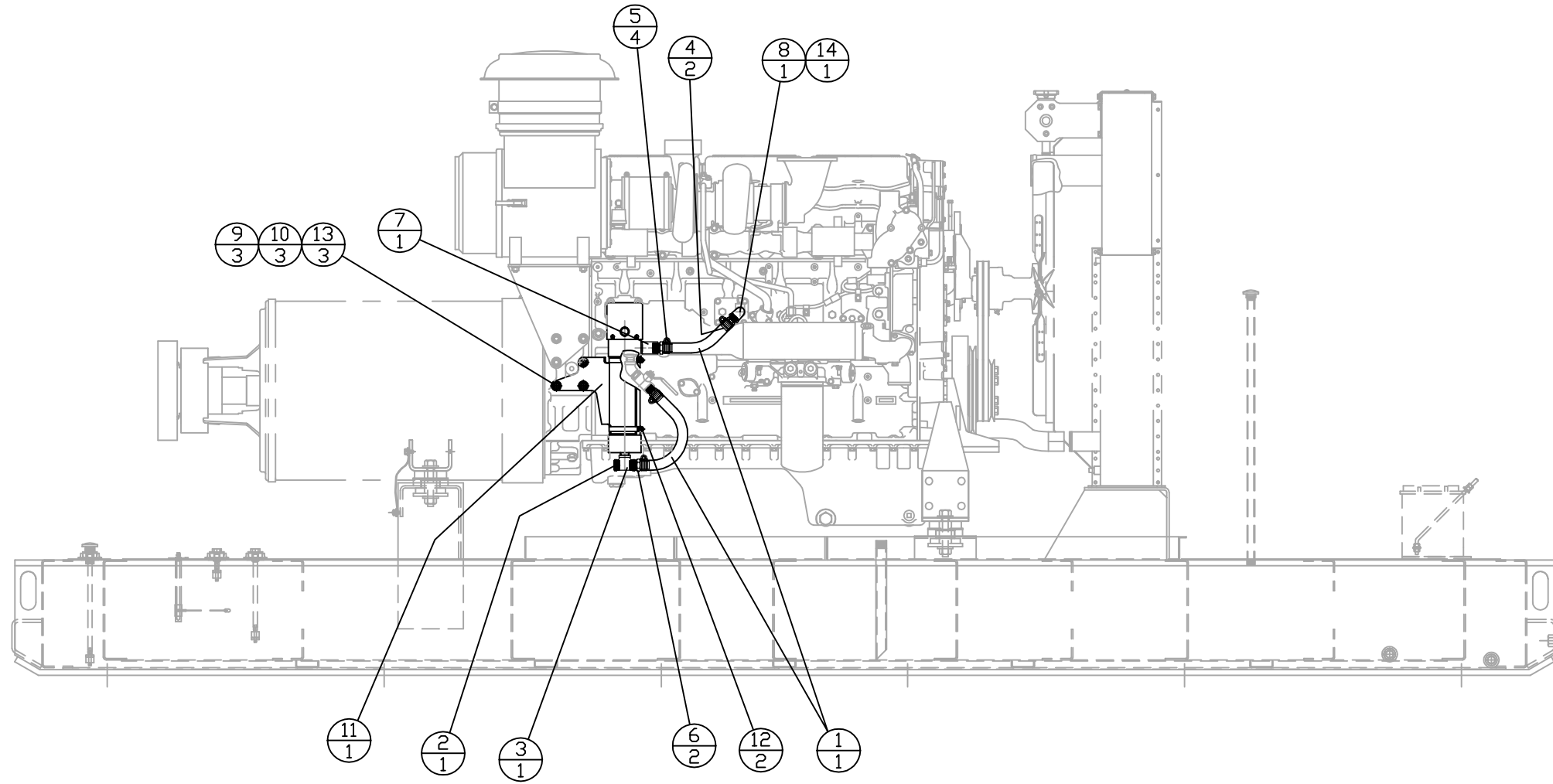


INCH 54A402

ITEM	QTY.	PART No.	DESCRIPTION
1	1	302-7411	HOSE-SILICONE 1.0 - 95 CM
2	1	3B-0551	PLUG-1.0 NPT
3	1	4B-7770	TEE-1.0 NPT
4	2	005-6814	BARB FITTING-3/4 NPT x 1.0
5	4	7X-7958	CLAMP-BAND
6	2	102-1616	ADAPTER-1.0 NPT x 1.0 HOSE
7	1	3B-6491	COUPLING-PIPE 1.0 NPT
8	1	44605K135	ELBDW-STREET 3/4 NPT
9	3	2A-1314	SPACER
10	3	8T-4122	WASHER-HARD 5/8
11	1	7C-4753	BRACKET
12	2	8T-6726	CLAMP-BAND
13	3	7X-0347	BOLT-5/8-11NC x 2.25 Lg
14	1	112-4036	VALVE-BALL 3/4 NPT



		ALTORFER POWER SYSTEMS 6315 W. FAUBER RD. PHONE (309) 697-1234 BARTONVILLE, IL 61607 FAX (309) 282-7546		
		THIS DOCUMENT CONTAINS PROPRIETARY INFORMATION OF ALTORFER, INC. WITHOUT THE WRITTEN PERMISSION OF ALTORFER, INC. ANY COPYING OR OTHER USE EXCEPT THAT FOR WHICH IT WAS INTENDED IS PROHIBITED.		
CHANGE NOTICE ALL DIMENSIONS IN INCHES UNLESS OTHERWISE SPECIFIED TOLERANCES: .XX ± 0.100 .XXX ± 0.060 .XXXX ± 0.005 ANGULAR ± 1°	FILE DF/54A	PROJECT REFERENCE XQ300/400 (3456 REMAN)	DRAWN BY K NUNN	ENGINEERING STATUS PROTO P ET PRD 0 0 X
	SCALE/SHEET SIZE 1=20/B	SHEET 1 OF 1	DATE 04-20-17	DRAWING NUMBER 54A402
	TITLE REMAN PARTS GROUP-JWH (3456 REMAN)			