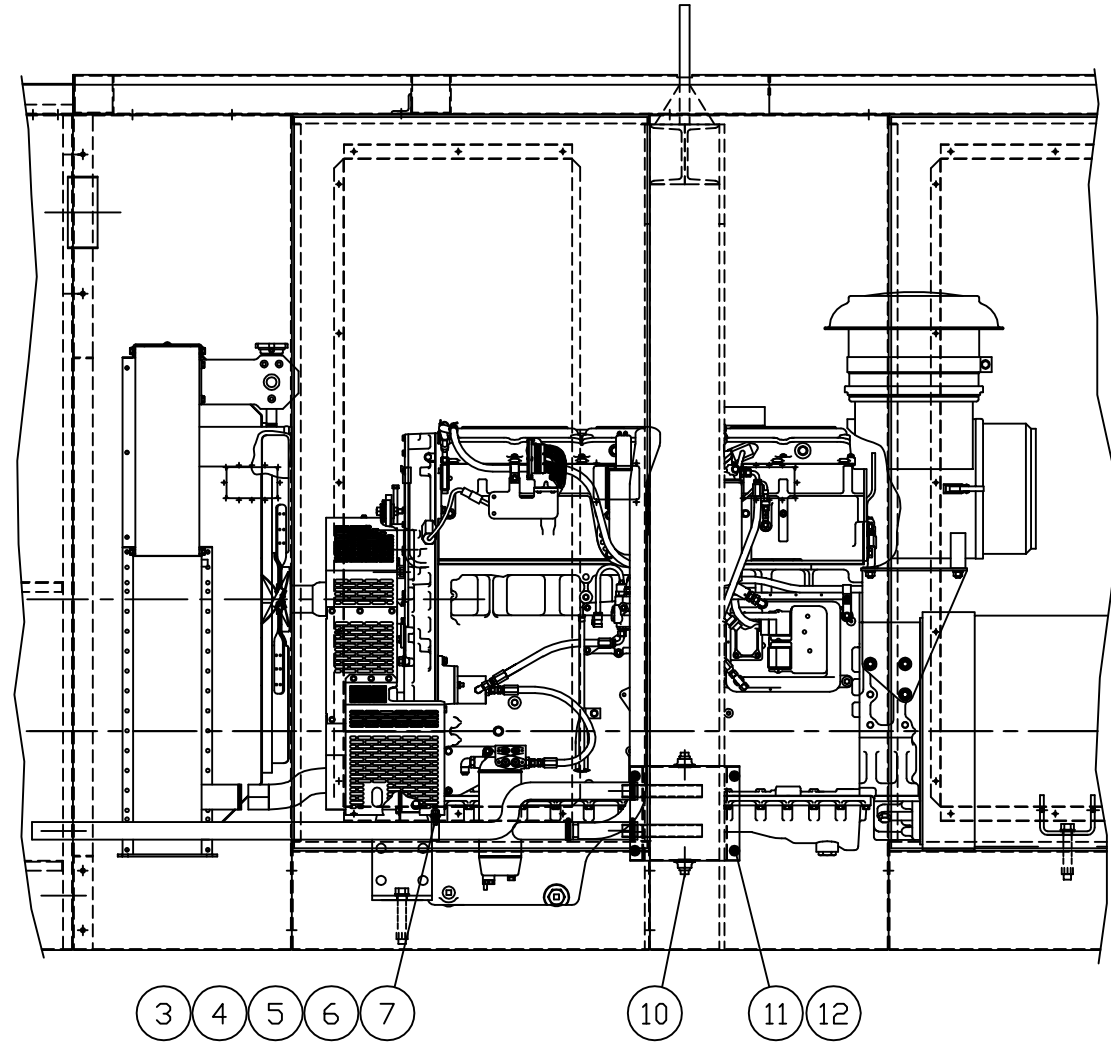
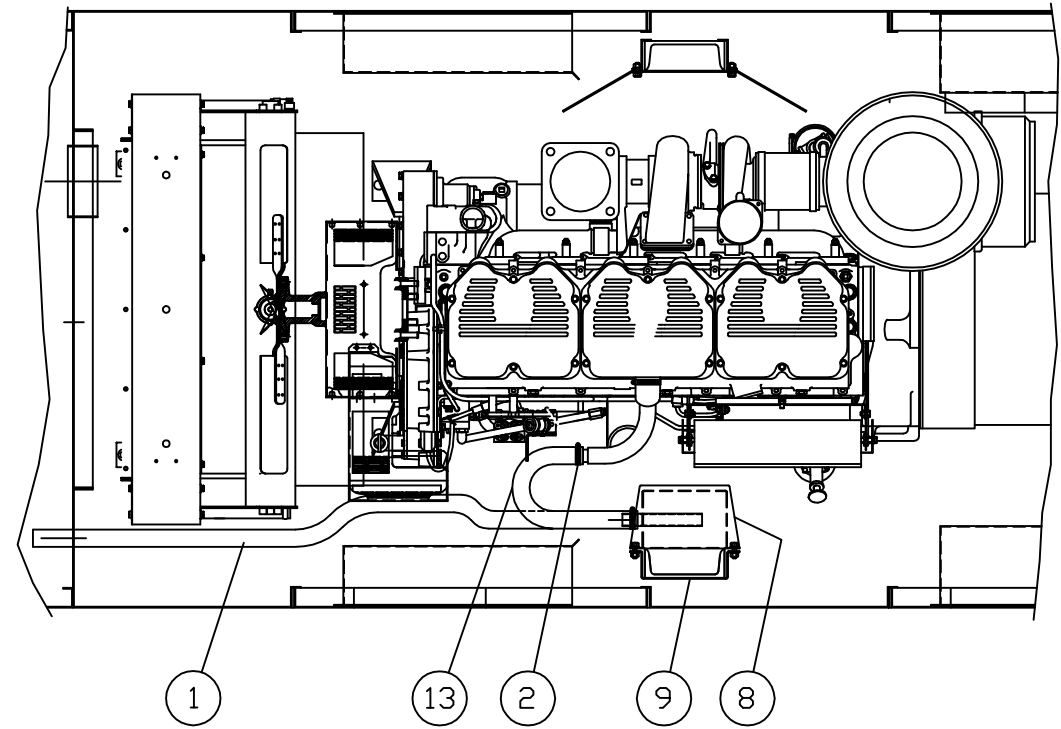

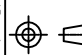


INCH 54A137-01



ITEM	QTY.	PART NUMBER	DESCRIPTION	WEIGHT
1	5FT.	RH114	1.25' HOSE (RED WINGFOOT)	2
2	3	8T-4983	CLAMP-BAND	-
3	1	8T8908	BOLT (1/4"-20 X 1")	1
4	1	0708821	CLIP-VINYL (1.75")	-
5	2	5P-4115	WASHER-HARD (1/4"-M6)	-
6	1	3B-4504	WASHER-LOCK (1/4")	-
7	1	6V-8185	NUT (1/4"-20)	-
8	1	54C188	BOX-FUMES DISPOSAL	9
9	2	54C184	BRACKET-FUMES DISPOSAL	2
10	2	PPP34	PLUG-PIPE (3/4")	-
11	4	198-2970	NUT-FLANGE (3/8"-16)	-
12	4	345-8531	BOLT-FLANGE (3/8"-16 X 1")	-
13	2FT.	RH114	1.25' HOSE (RED WINGFOOT)	1
TOTAL				15LBS.

10/29/15 D. ROLING DATE	UPDATE HARDWARE CHANGE NOTICE	 ALTORFER POWER SYSTEMS 6315 W. FAUBER RD. PHONE (309) 697-1234 BARTONVILLE, IL 61607 FAX (309) 282-7546					
		THIS DOCUMENT CONTAINS PROPRIETARY INFORMATION OF ALTORFER, INC. WITHOUT THE WRITTEN PERMISSION OF ALTORFER, INC., ANY COPYING OR OTHER USE EXCEPT THAT FOR WHICH IT WAS INTENDED IS PROHIBITED.					
2	1	N.D.	ALL DIMENSIONS IN INCHES UNLESS OTHERWISE SPECIFIED		FILE DF/54A	PROJECT REFERENCE XQ400 (3456) RENTAL UNIT	
			TOLERANCES: X.X ± 0.100 X.XX ± 0.060 X.XXX ± 0.005	THIRD ANGLE PROJECTION	SCALE/SHEET SIZE 1=20/B SHEET 1 OF 1	DRAWN BY D. LUCAS	QUOTE NUMBER -
			ANGULAR ± 1°		DATE 10/15/2003	WORK ORDER NUMBER -	
TITLE			XQ400 (3456) FUMES DISPOSAL GROUP		DRAWING NUMBER 54A137-01		